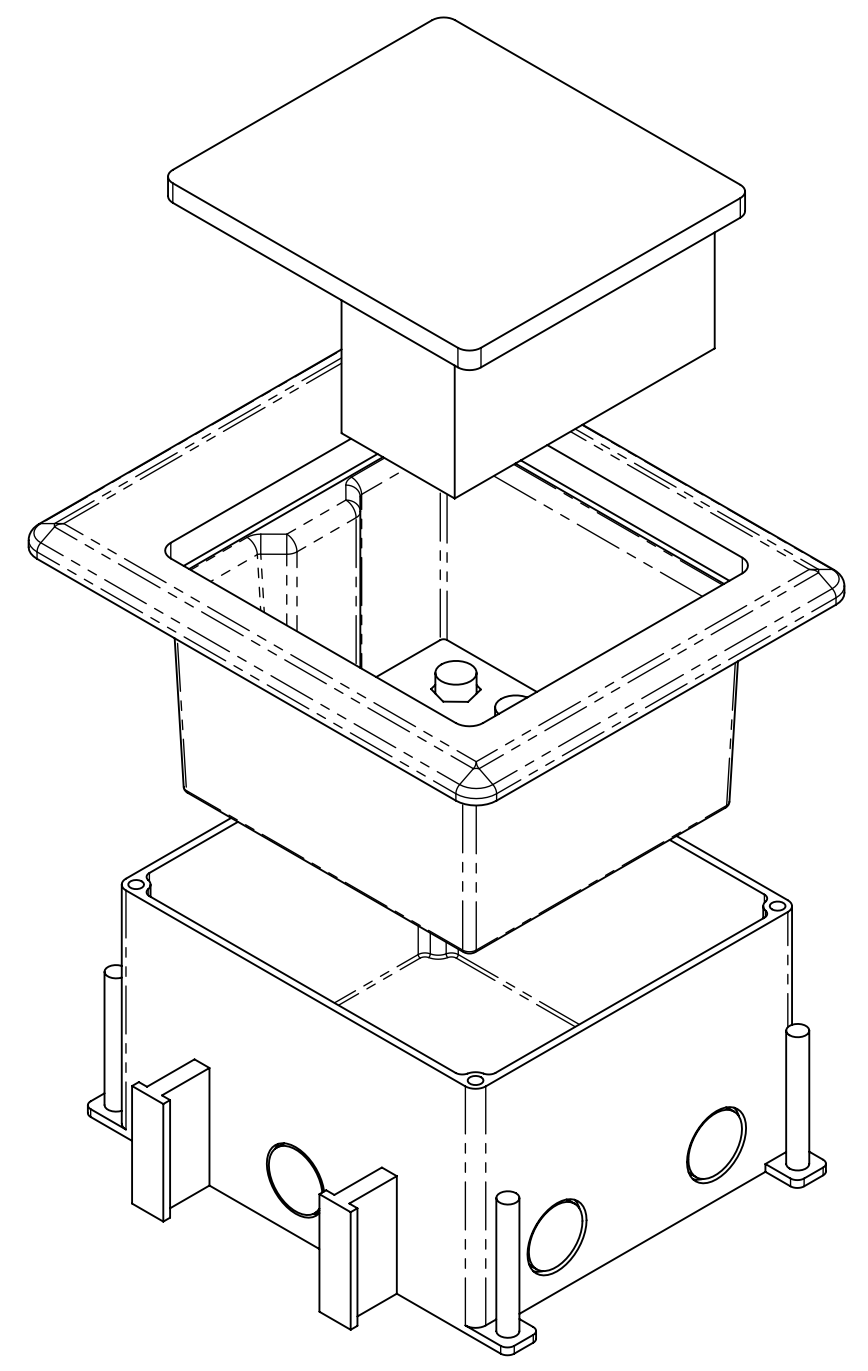
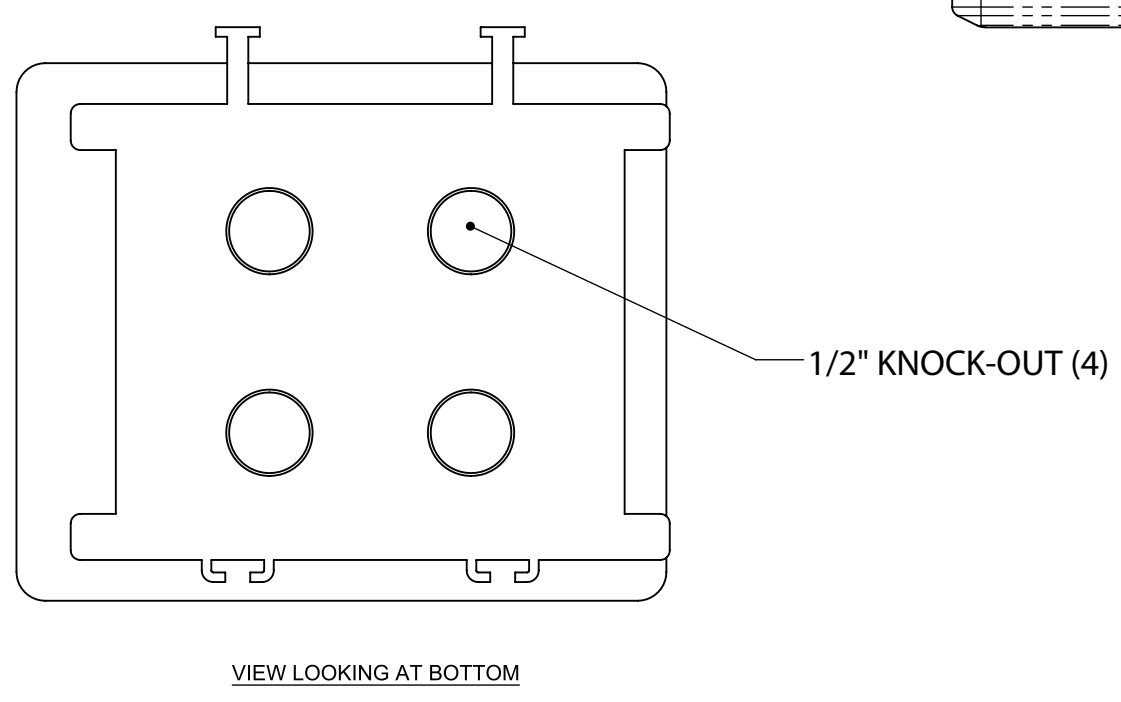
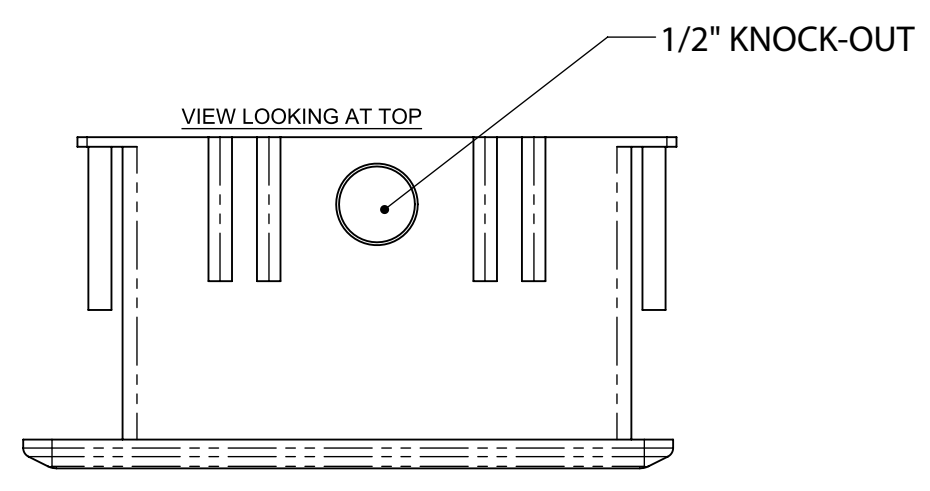
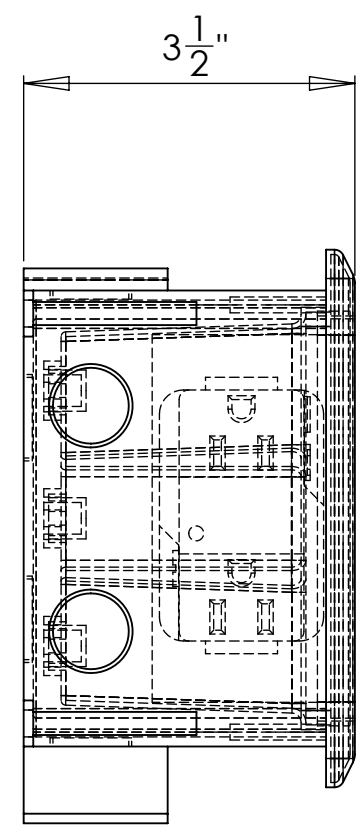
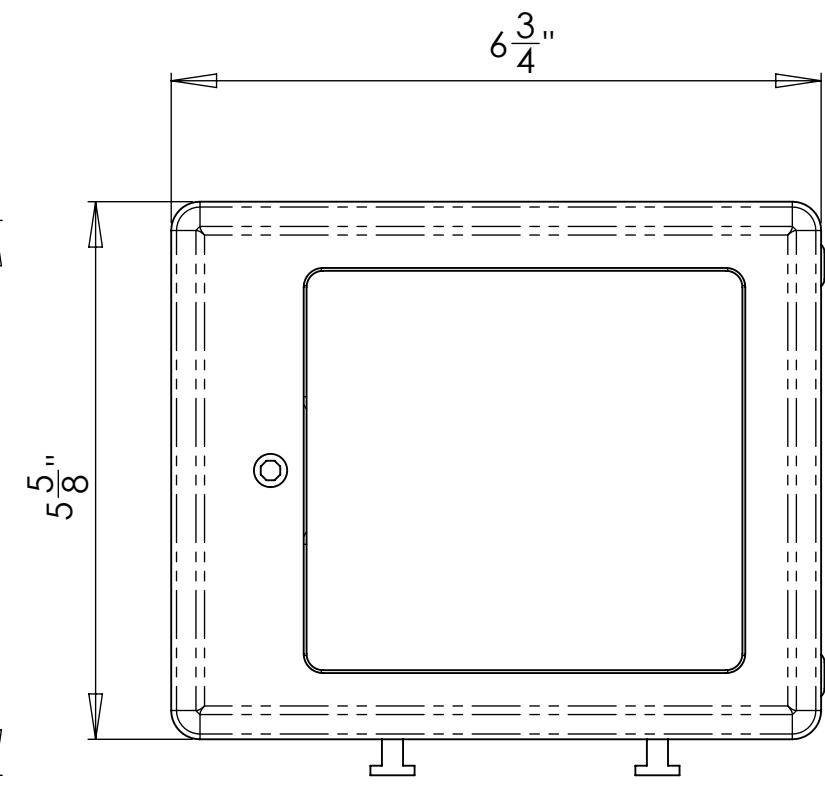
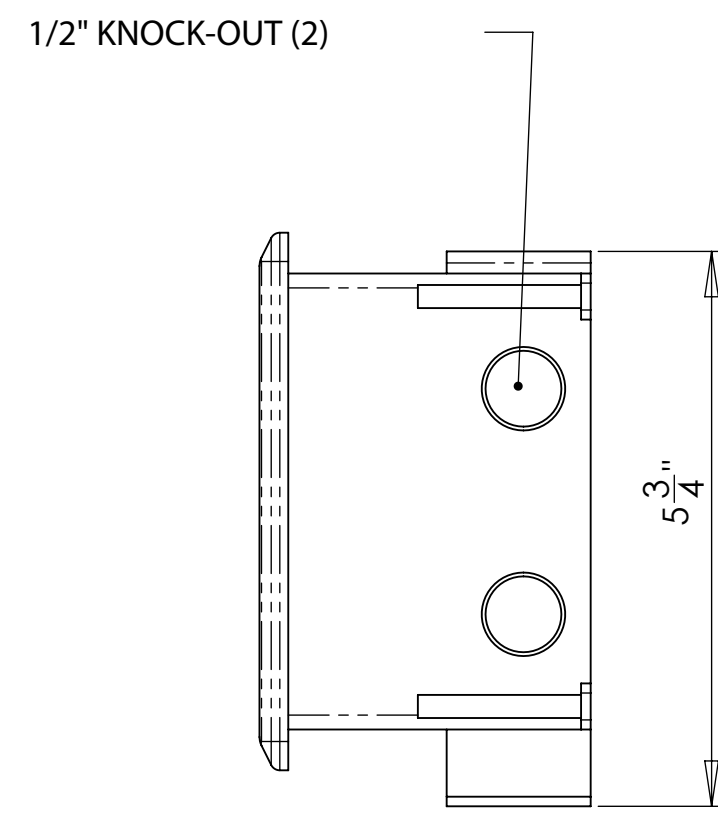
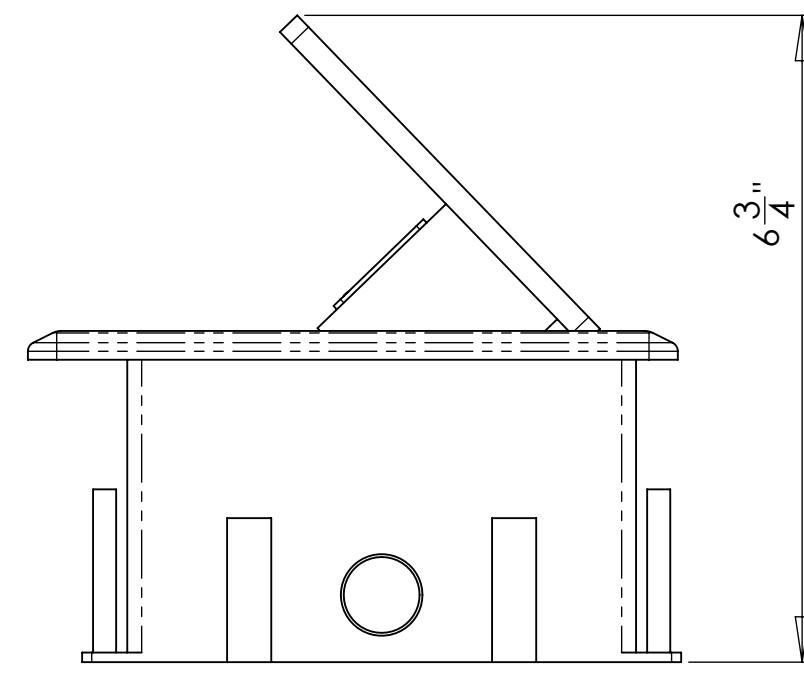
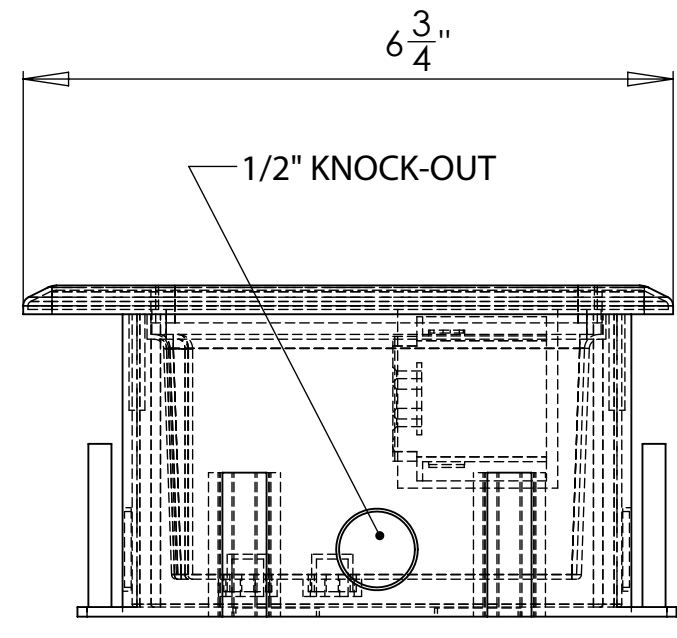


DESCRIPTION: Outdoor floor box with stainless cover; Hex Key Open; Fully IP66 rated water proof (when in closed position). Includes wrench for inside wire connections



**LEW ELECTRIC FITTINGS COMPANY**  
 SERVING THE ELECTRICAL INDUSTRY SINCE 1901  
 371 Randy Road, Carol Stream, IL 60188  
 Phone: (630) 665-2075

UNLESS OTHERWISE SPECIFIED:	NAME	DATE	TITLE:	
DIMENSIONS ARE IN INCHES	DRAWN	P.J.G.	4/15/2014	<b>OB-1-SH</b>
TOLERANCES:				
FRACTIONAL ±				
ANGULAR: MATCH ± BEND ±				
TWO PLACE DECIMAL ±				SIZE DWG. NO. REV
THREE PLACE DECIMAL ±				C -
INTERPRET GEOMETRIC TOLERANCING PER:	COMMENTS:			WEIGHT: SHEET 2 OF 2
MATERIAL				
FINISH				
DO NOT SCALE DRAWING				