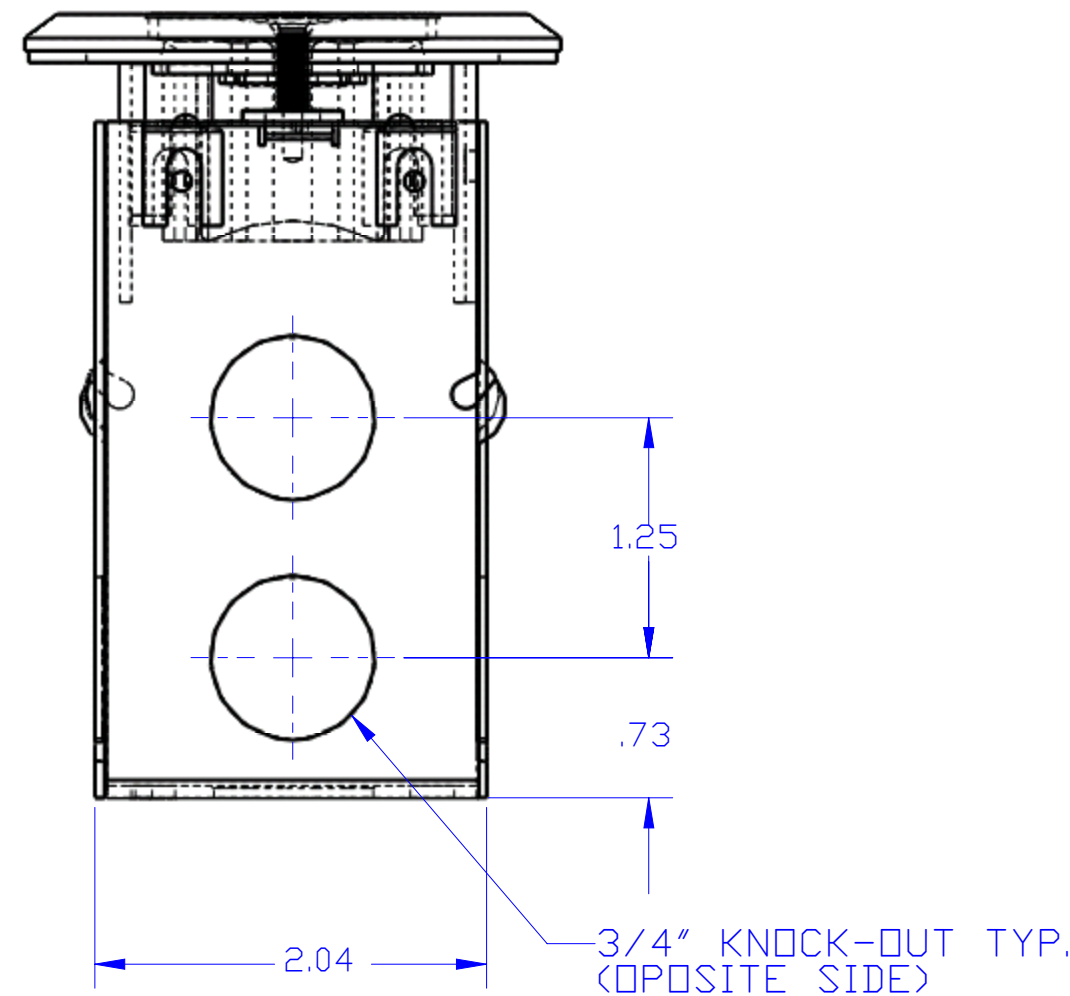
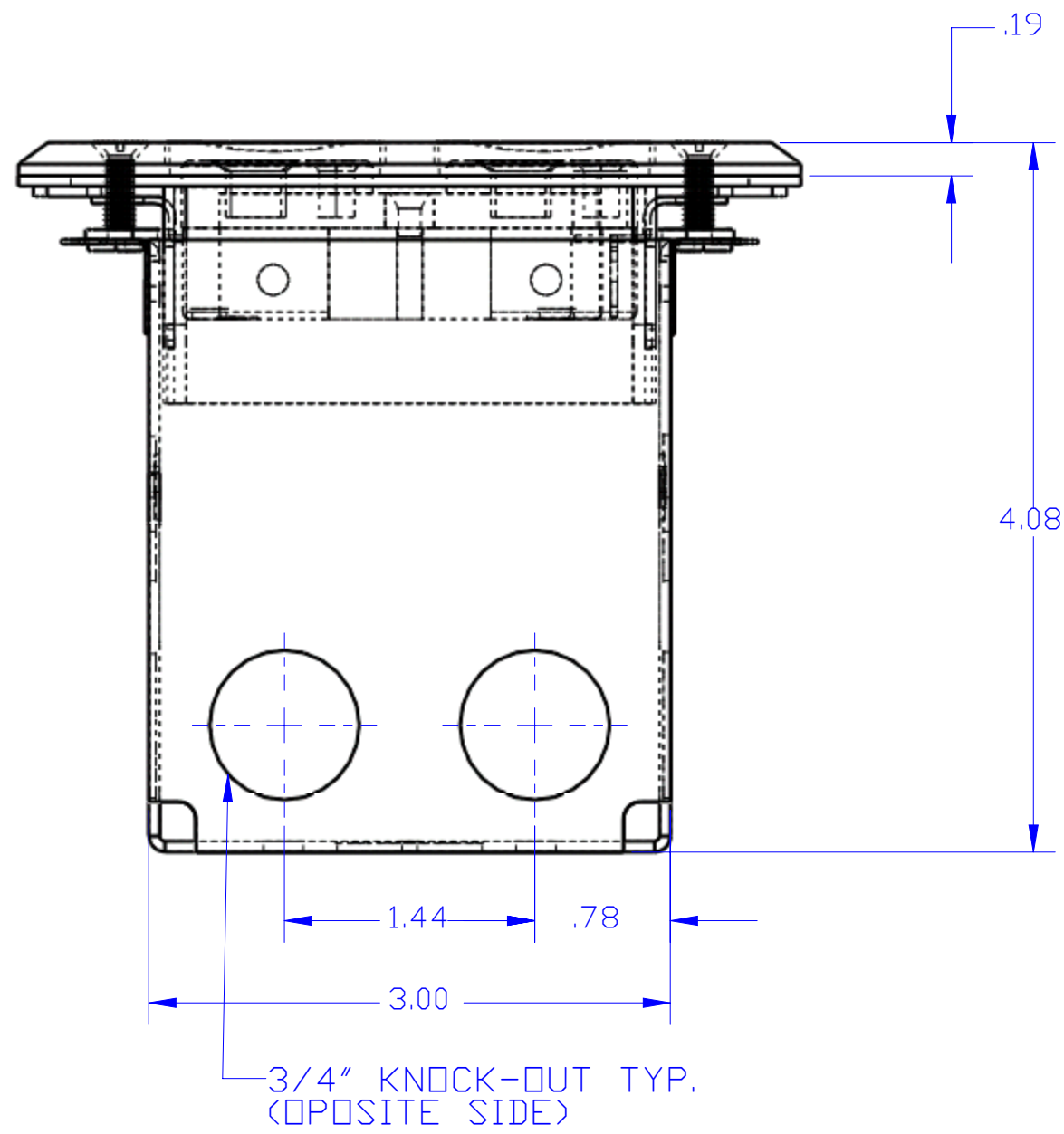
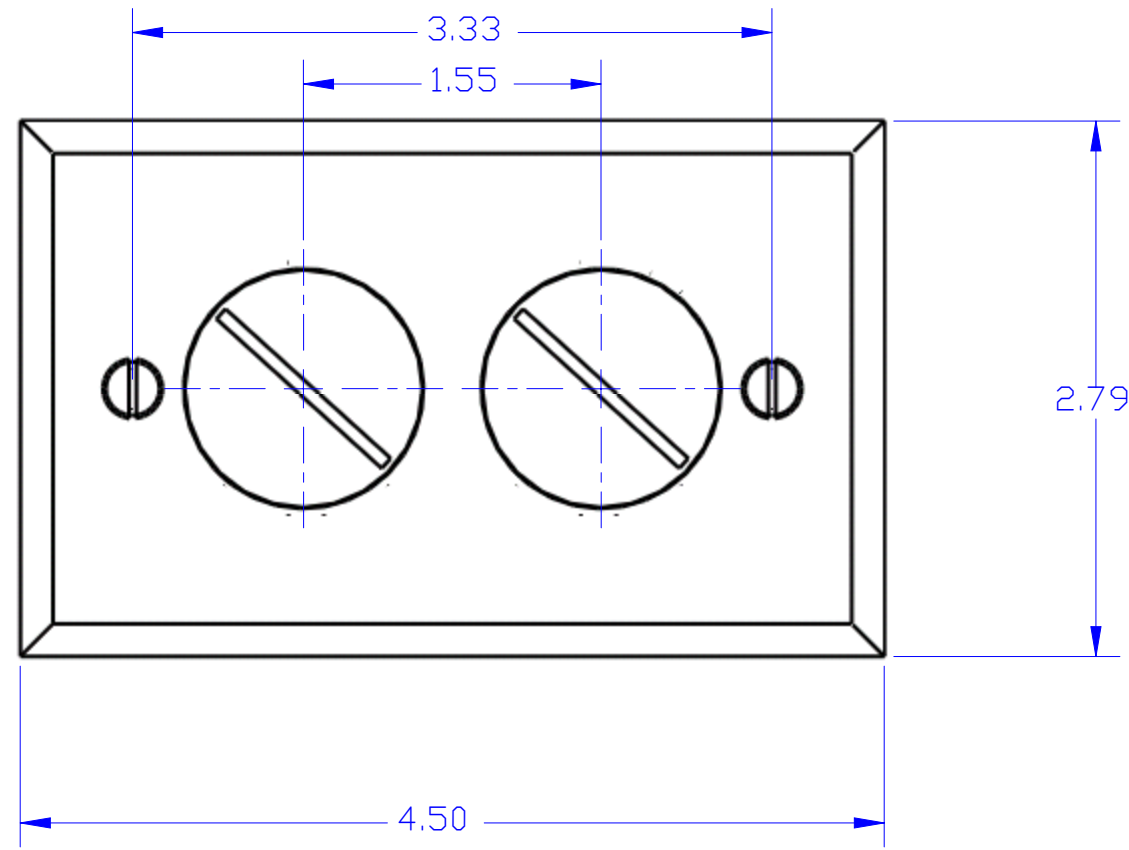


DESCRIPTION:  
ALUMINUM, RECESSED FLOOR PLATE ASSEMBLY  
(DUPLEX RECEPTACLE WITH BOX)



BRASS, [2] 6-32 X .75 FLAT HEAD  
SCREW [1.25 ALSO PROVIDED]

6212-A PLUG

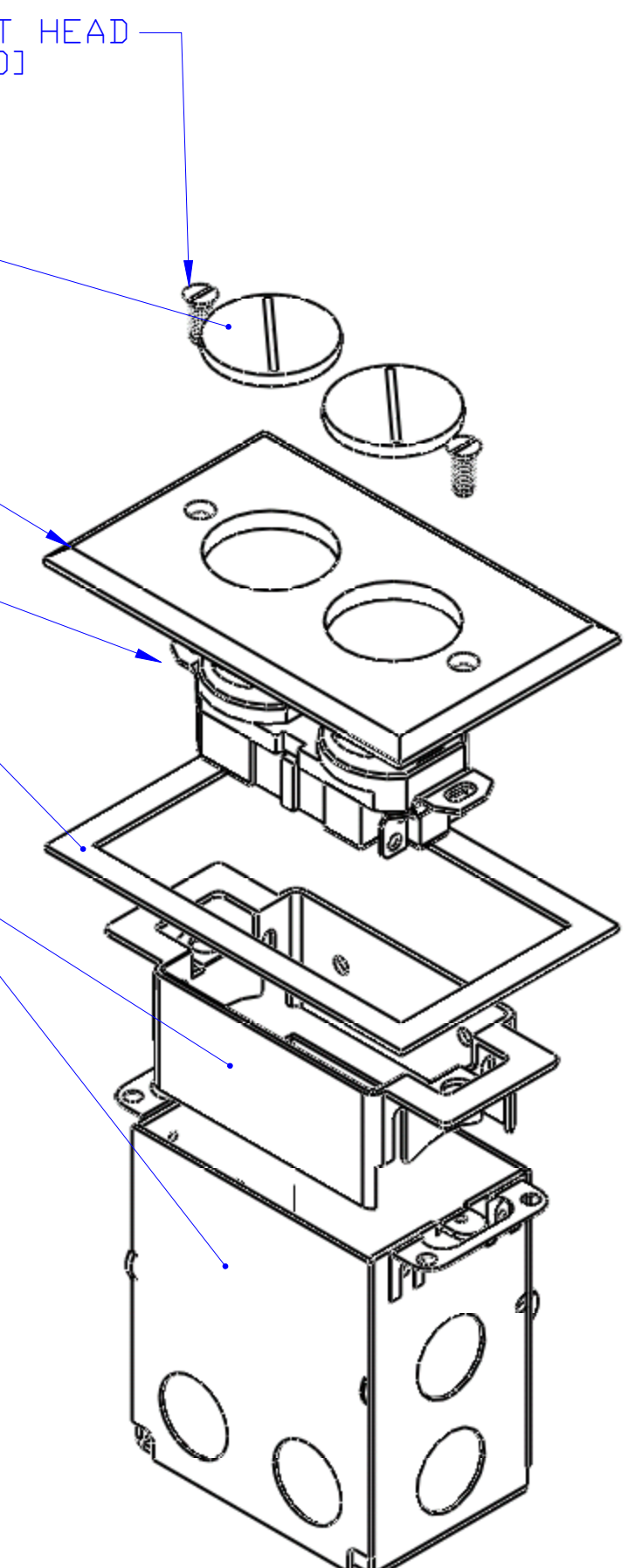
RRP-2-A

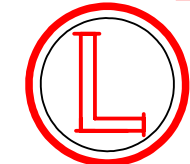
804 DRU

NEOPRENE GASKET

RRP-2-R

STAMPED STEEL BOX





**LEW ELECTRIC  
FITTINGS COMPANY**  
SERVING THE ELCTRICAL INDUSTRY SINCE 1901  
1801 W. St. Charles Rd. Maywood, IL 60153  
PHONE: 708-345-2075

|   |   |   |
|---|---|---|
| UNLESS OTHERWISE SPECIFIED:<br>DIMENSIONS ARE IN INCHES<br>TOLERANCES:<br>FRACTIONAL ±<br>ANGULAR: MACH ± BEND ±<br>TWO PLACE DECIMAL ±<br>THREE PLACE DECIMAL ±<br>INTERPRET GEOMETRIC<br>TOLERANCING PER:<br>MATERIAL<br>FINISH<br>DO NOT SCALE DRAWING | NAME<br>DRAWN<br>P.J.G.<br><br>DATE<br>12/1/2007<br><br>COMMENTS: | TITLE:<br><b>SWB-2-A</b><br><br>SIZE DWG. NO. REV<br><b>C</b> <b>A</b><br>WEIGHT: SHEET 4 OF 12 |
|---|---|---|