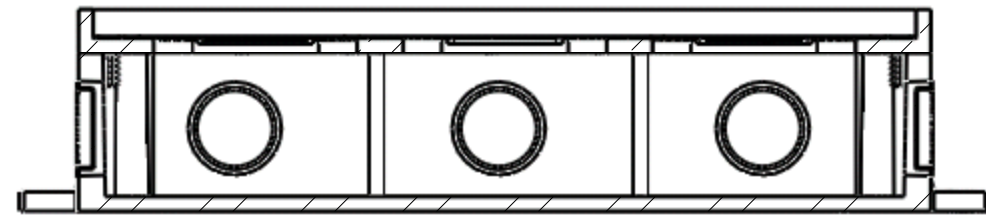
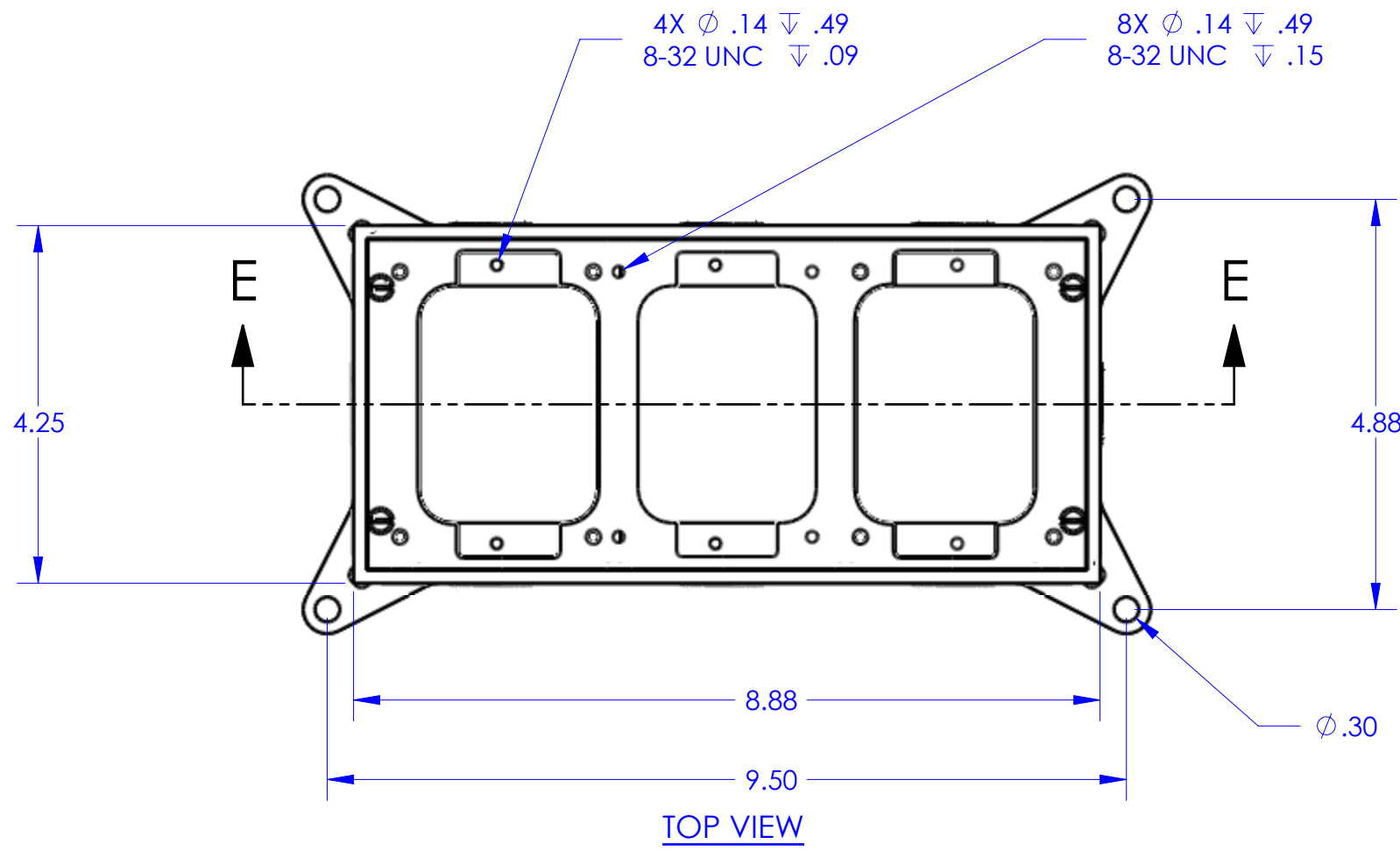
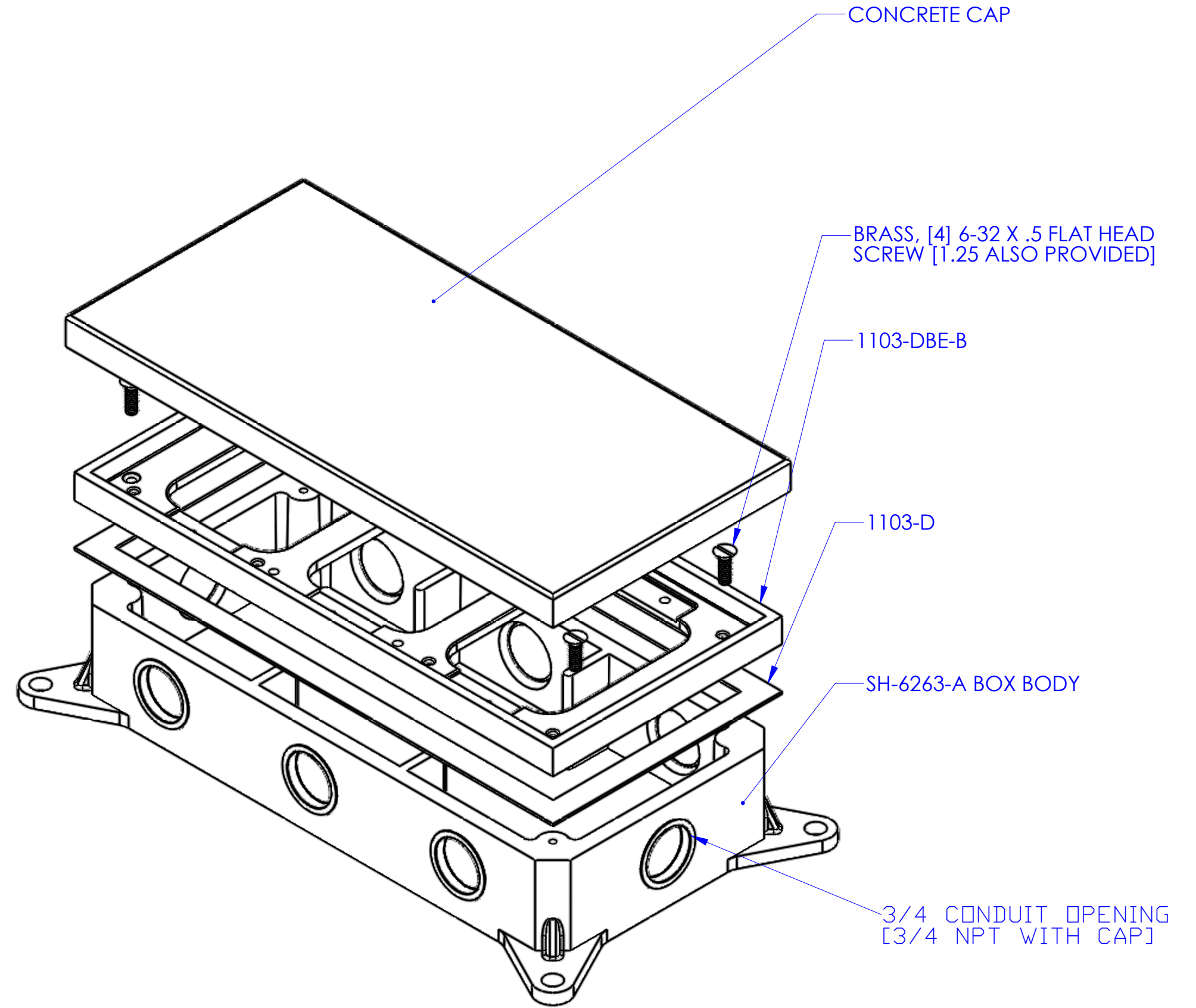


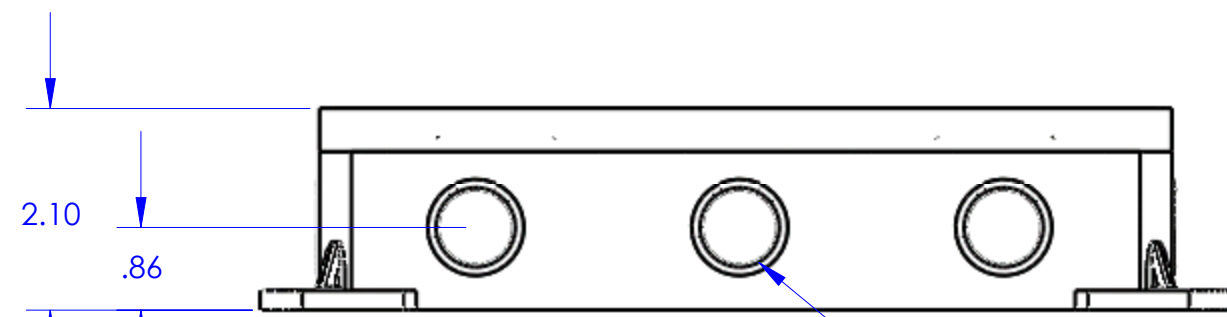
DESCRIPTION:
BRASS, SHALLOW, THREE GANG CAST BOX, SEMI ADJUSTABLE



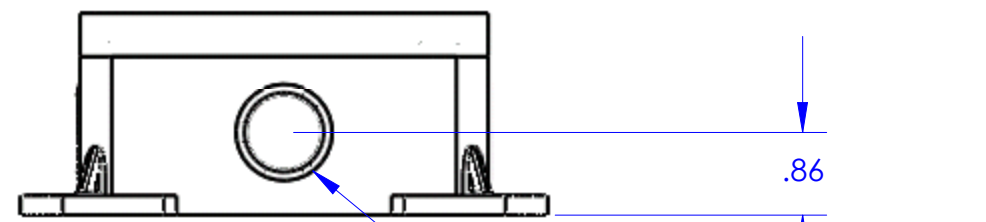
SECTION E-E



TOP VIEW




FRONT VIEW



RIGHT VIEW

3/4 CONDUIT OPENING
[3/4 NPT WITH CAP]

3/4 CONDUIT OPENING
[3/4 NPT WITH CAP]



**LEW ELECTRIC
FITTINGS COMPANY**
SERVING THE ELCTRICAL INDUSTRY SINCE 1901
1801 W. St. Charles Rd. Maywood, IL 60153
PHONE: 708-345-2075

UNLESS OTHERWISE SPECIFIED:		NAME	DATE
DIMENSIONS ARE IN INCHES		DRAWN	PJG 8/30/2007
TOLERANCES:			
FRACTIONAL ±			
ANGULAR: MACH ± BEND ±			
TWO PLACE DECIMAL ±			
THREE PLACE DECIMAL ±			
INTERPRET GEOMETRIC TOLERANCING PER:		COMMENTS:	
MATERIAL			
FINISH			
DO NOT SCALE DRAWING			

TITLE:
SH-6263-58

SIZE	DWG. NO.	REV
A	1001480	A

WEIGHT: SHEET 11 OF 12