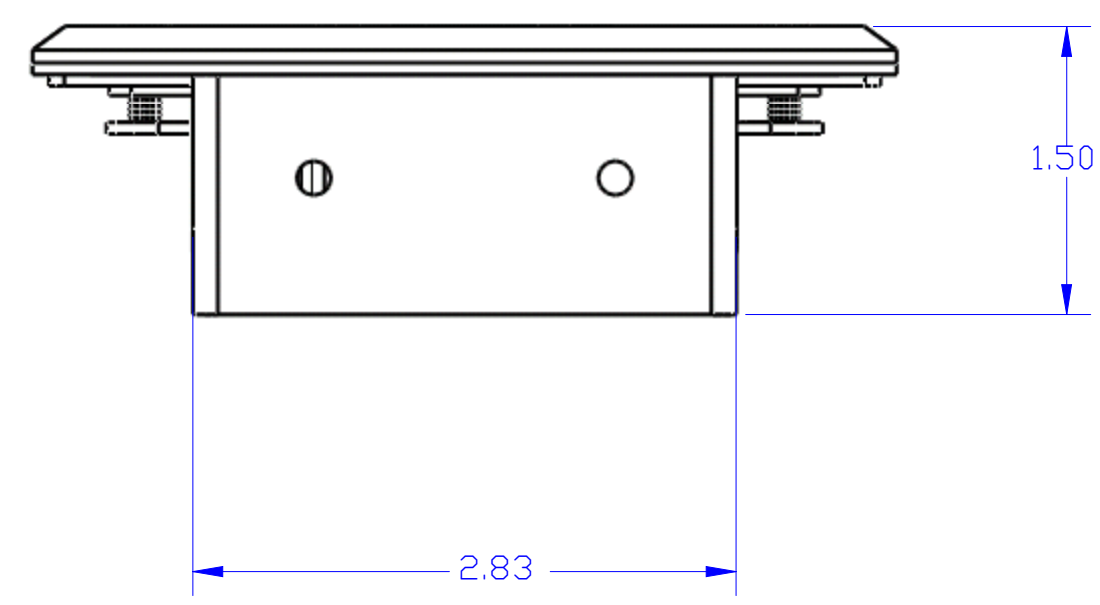
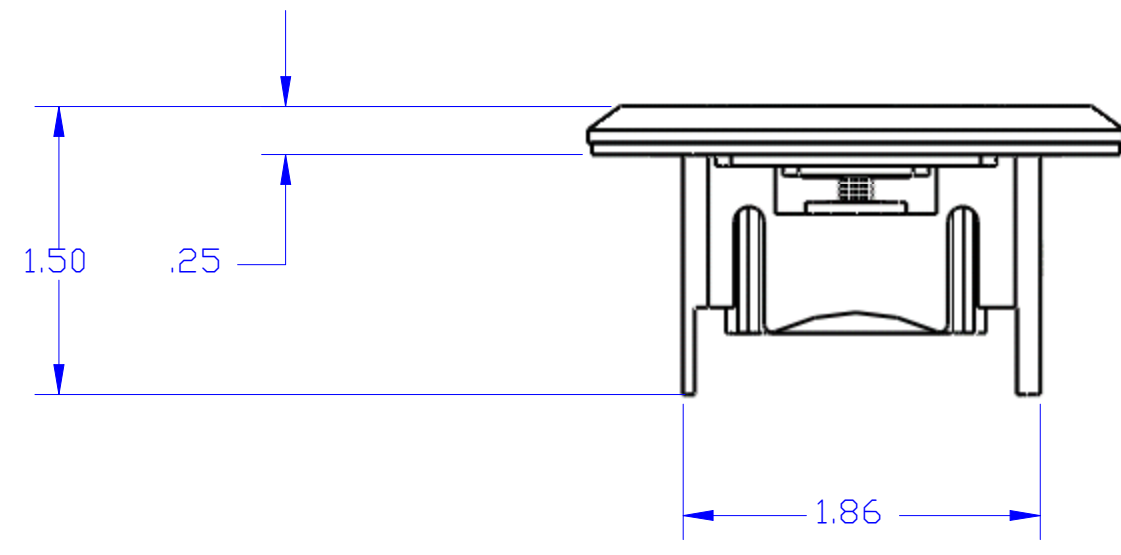
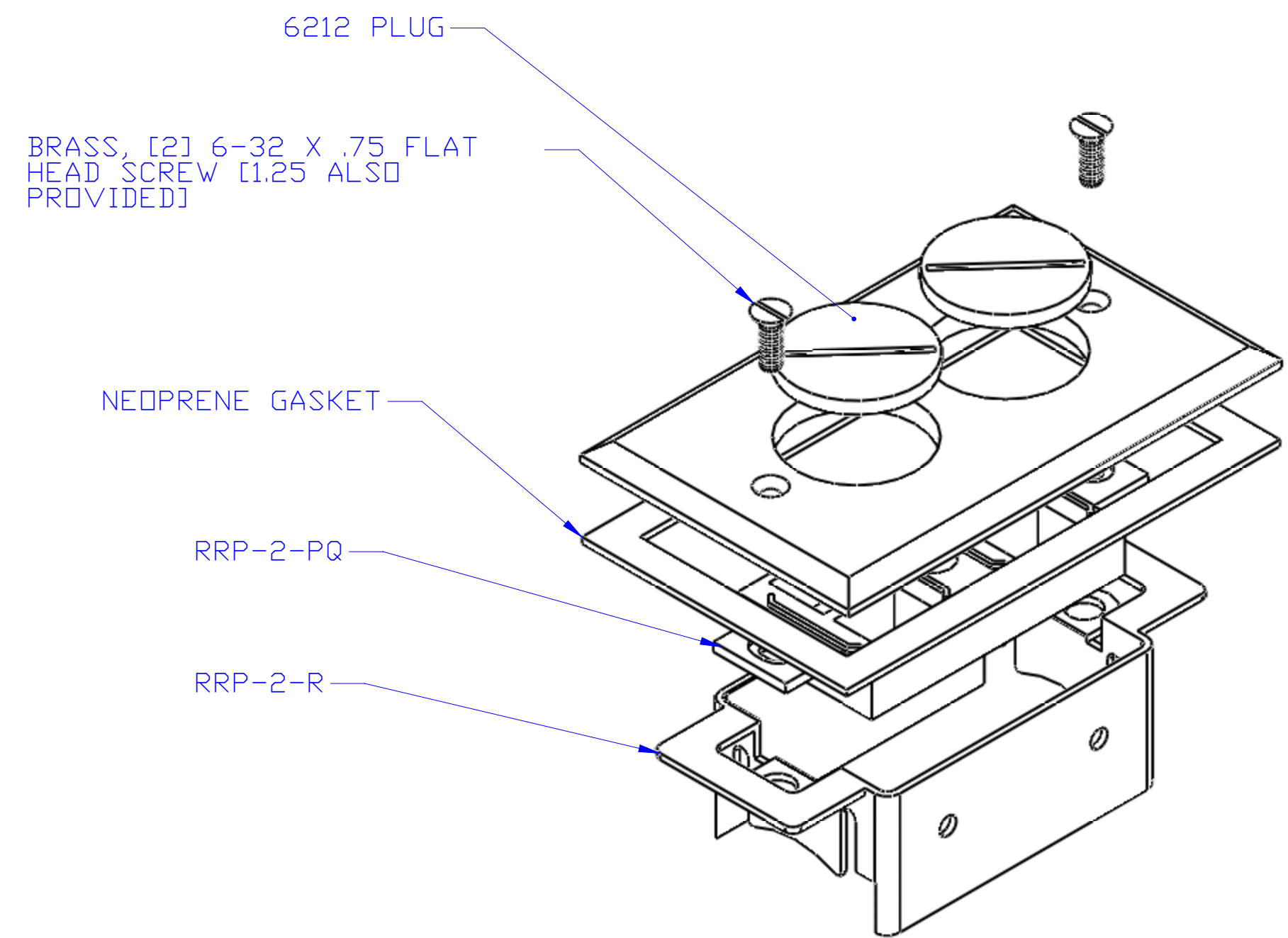
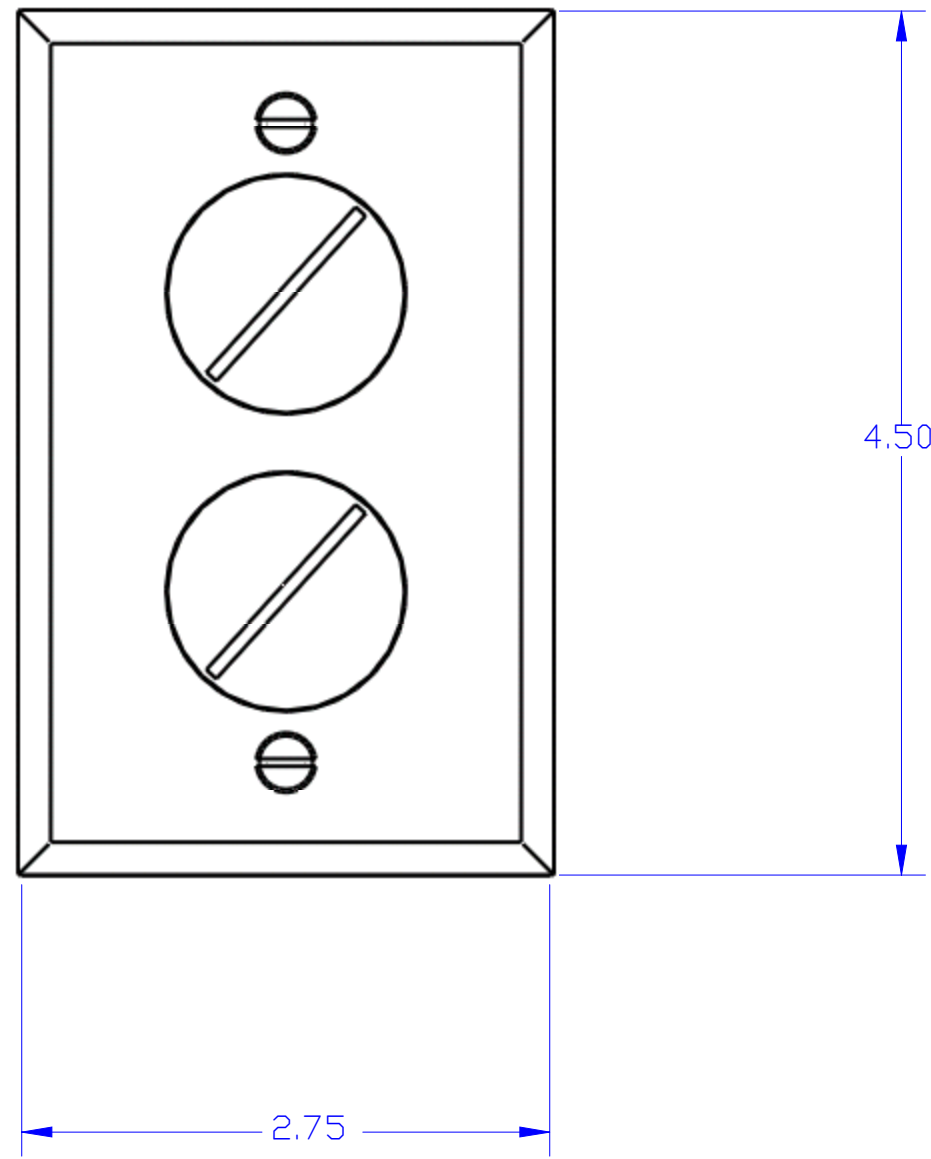
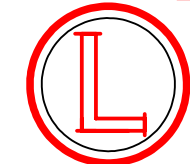


DESCRIPTION:
 BRASS, RECESSED FLOOR PLATE ASSEMBLY
 (DUPLEX COMM./DATA); RRP-2-PQ INCLUDED





**LEW ELECTRIC
 FITTINGS COMPANY**
 SERVING THE ELCTRICAL INDUSTRY SINCE 1901
 1801 W. St. Charles Rd. Maywood, IL 60153
 PHONE: 708-345-2075

UNLESS OTHERWISE SPECIFIED:		NAME	DATE
DIMENSIONS ARE IN INCHES		DRAWN	P.J.G. 11/30/2007
TOLERANCES:			
FRACTIONAL ±			
ANGULAR: MACH ± BEND ±			
TWO PLACE DECIMAL ±			
THREE PLACE DECIMAL ±			
INTERPRET GEOMETRIC TOLERANCING PER:		COMMENTS:	
MATERIAL			
FINISH			
DO NOT SCALE DRAWING			

TITLE:
RRP-2-T

SIZE	DWG. NO.	REV
C	1001110	A
WEIGHT:		SHEET 7 OF 12