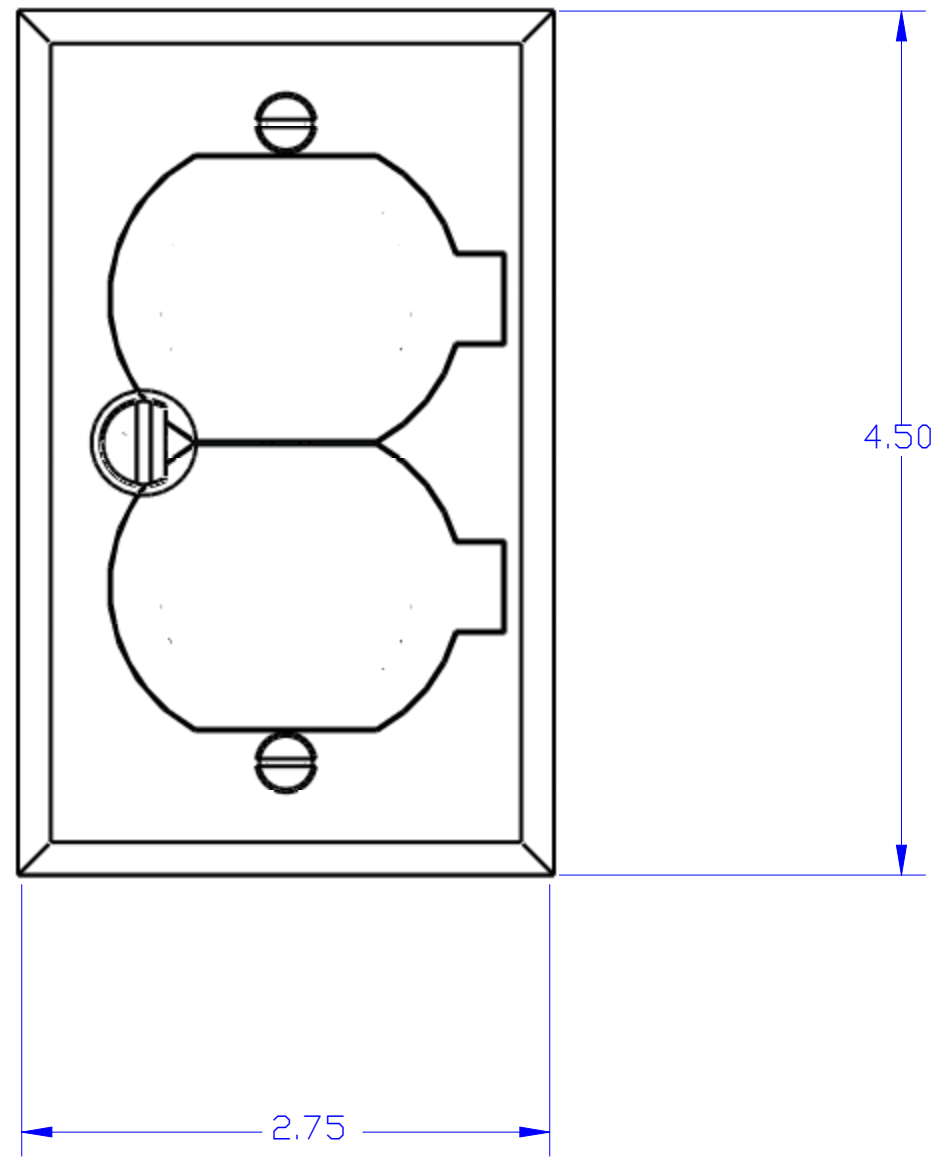


DESCRIPTION:
 ALUMINUM, RECESSED FLOOR PLATE FLIP LID
 ASSEMBLY (DUPLEX RECEPTACLE)

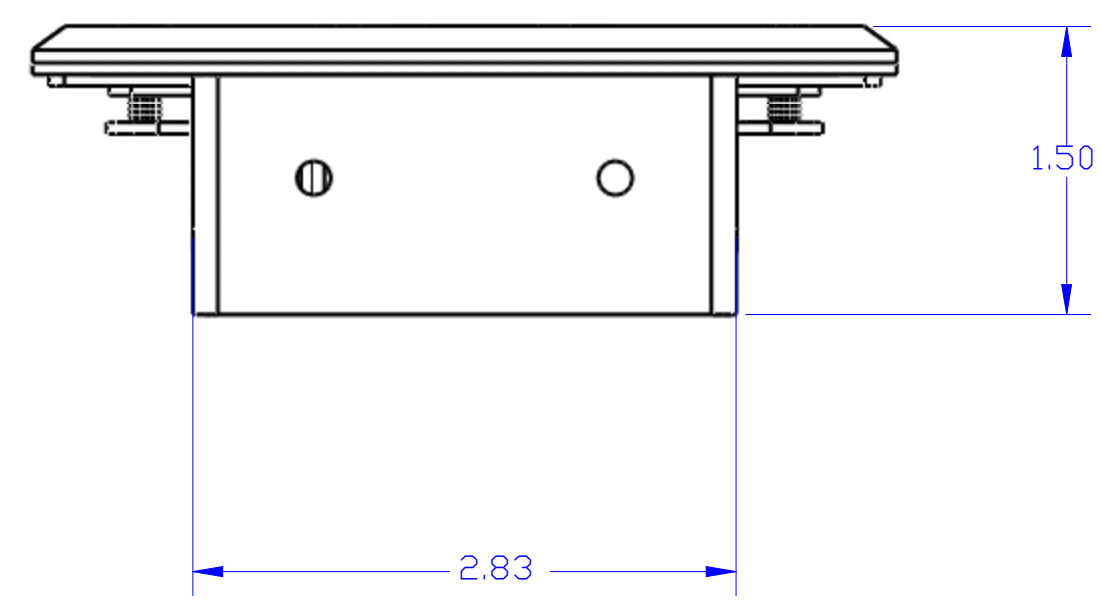
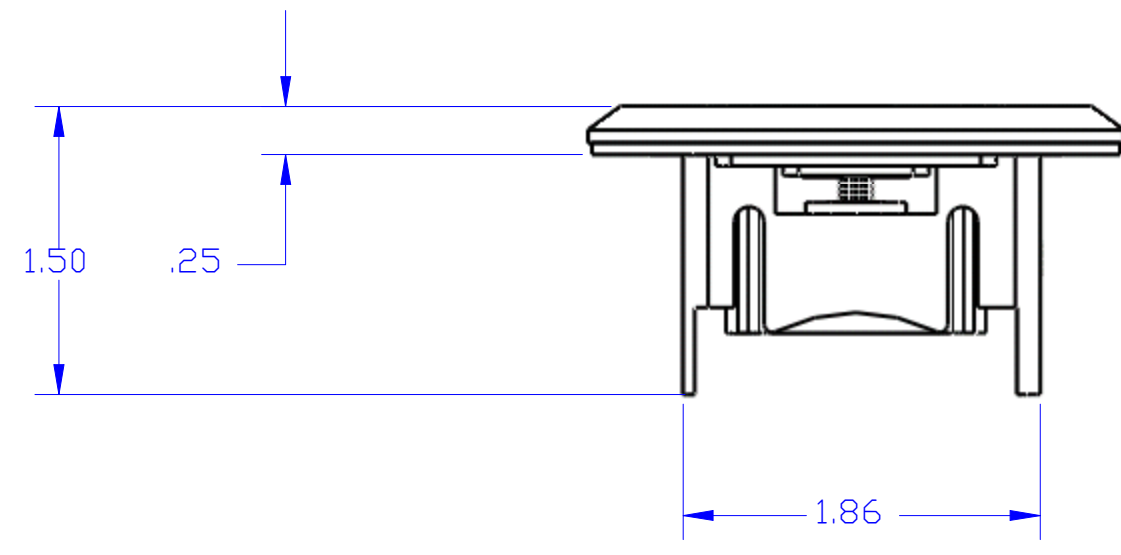
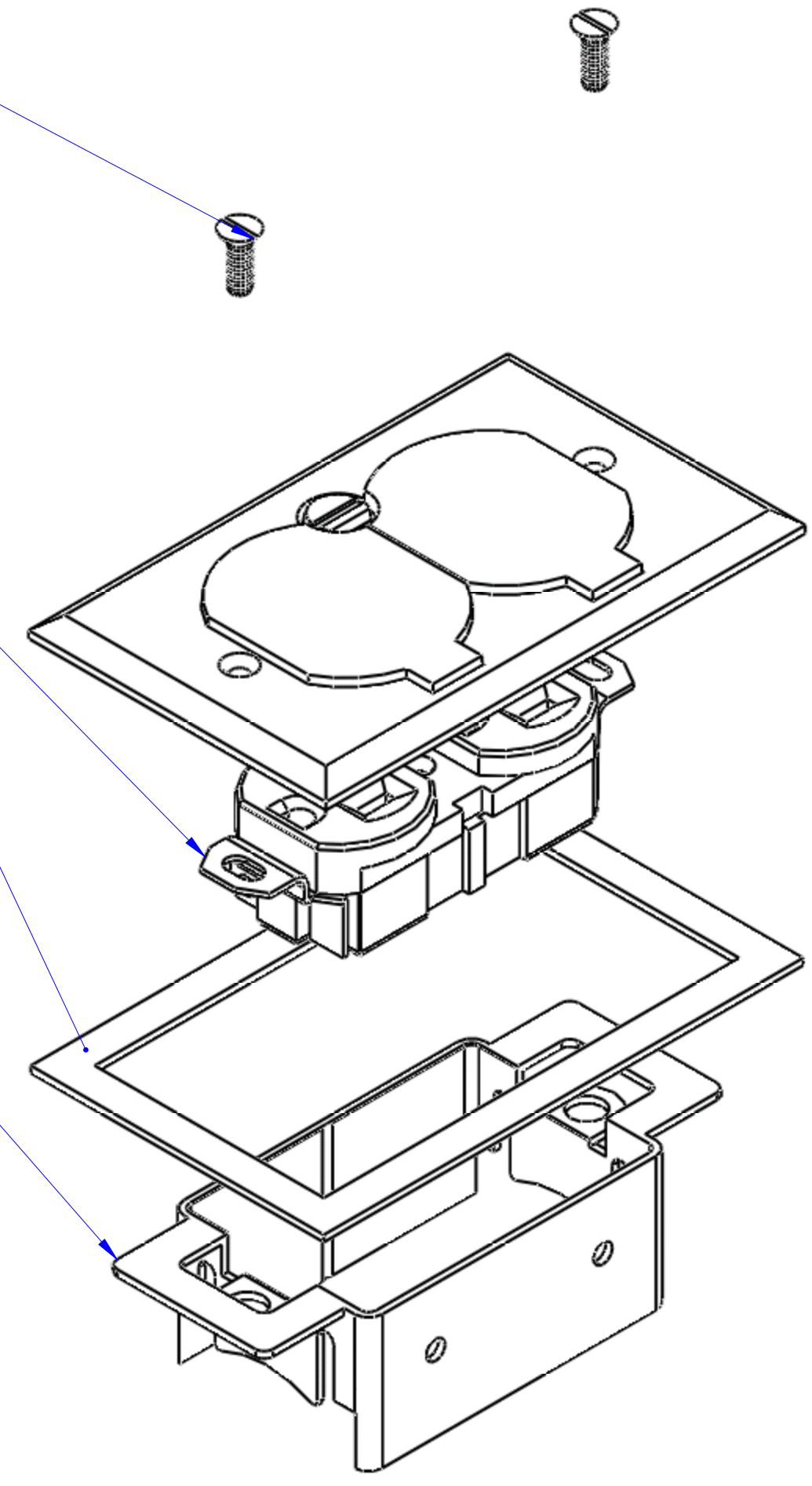


ALUMINUM, [2] 6-32 X
 .75 FLAT HEAD SCREW
 [1.25 ALSO PROVIDED]

804 DRU

NEOPRENE GASKET

RRP-2-R



LEW ELECTRIC
FITTINGS COMPANY
 SERVING THE ELCTRICAL INDUSTRY SINCE 1901
 1801 W. St. Charles Rd. Maywood, IL 60153
 PHONE: 708-345-2075

UNLESS OTHERWISE SPECIFIED:		NAME	DATE
DIMENSIONS ARE IN INCHES		DRAWN	P.J.G. 11/30/2007
TOLERANCES:		TITLE:	
FRACTIONAL ±		RRP-2-LR-A	
ANGULAR: MACH ±		SIZE DWG. NO.	
TWO PLACE DECIMAL ±		C 1001110	
THREE PLACE DECIMAL ±		REV	
INTERPRET GEOMETRIC TOLERANCING PER:		A	
MATERIAL		WEIGHT:	
FINISH		SHEET 10 OF 12	
DO NOT SCALE DRAWING			