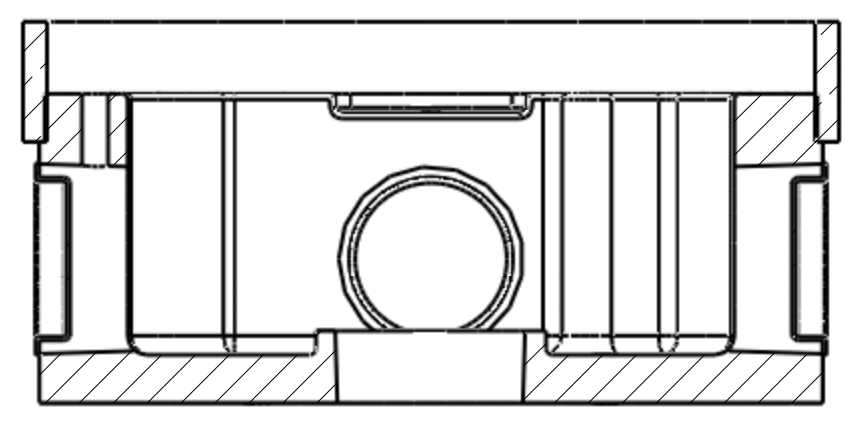
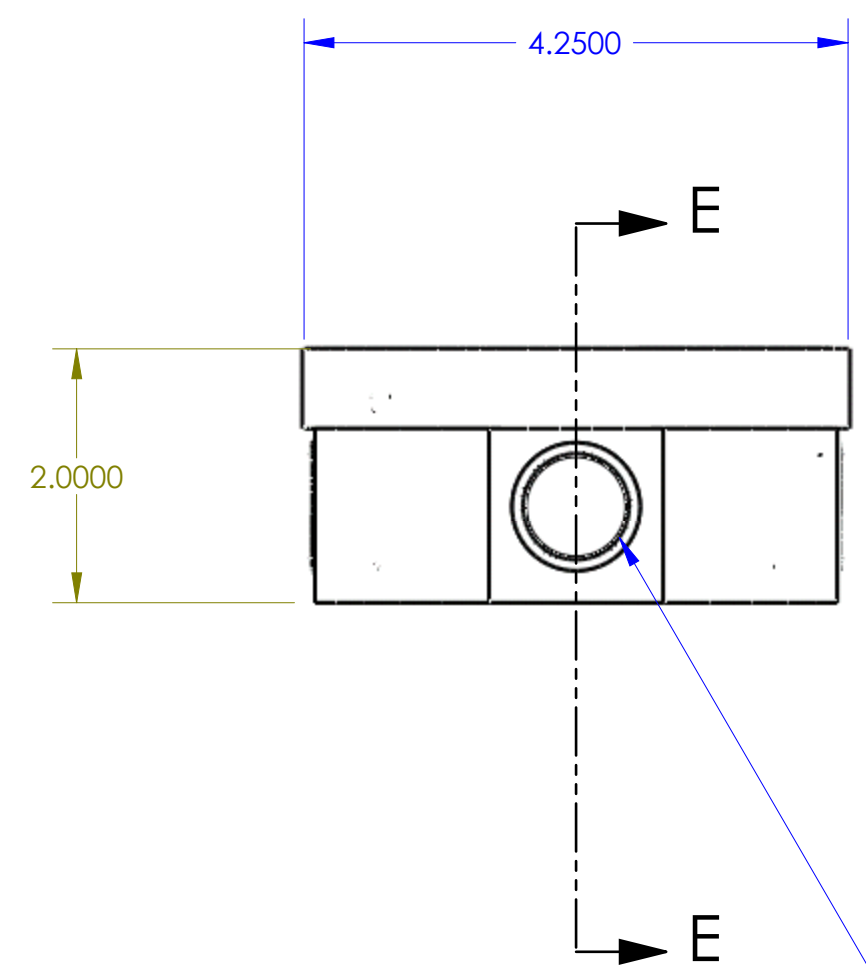


DESCRIPTION:
BRASS, SHALLOW, CAST BOX, SEMI ADJUSTABLE, 12 CU. IN.
INTERIOR CAPACITY

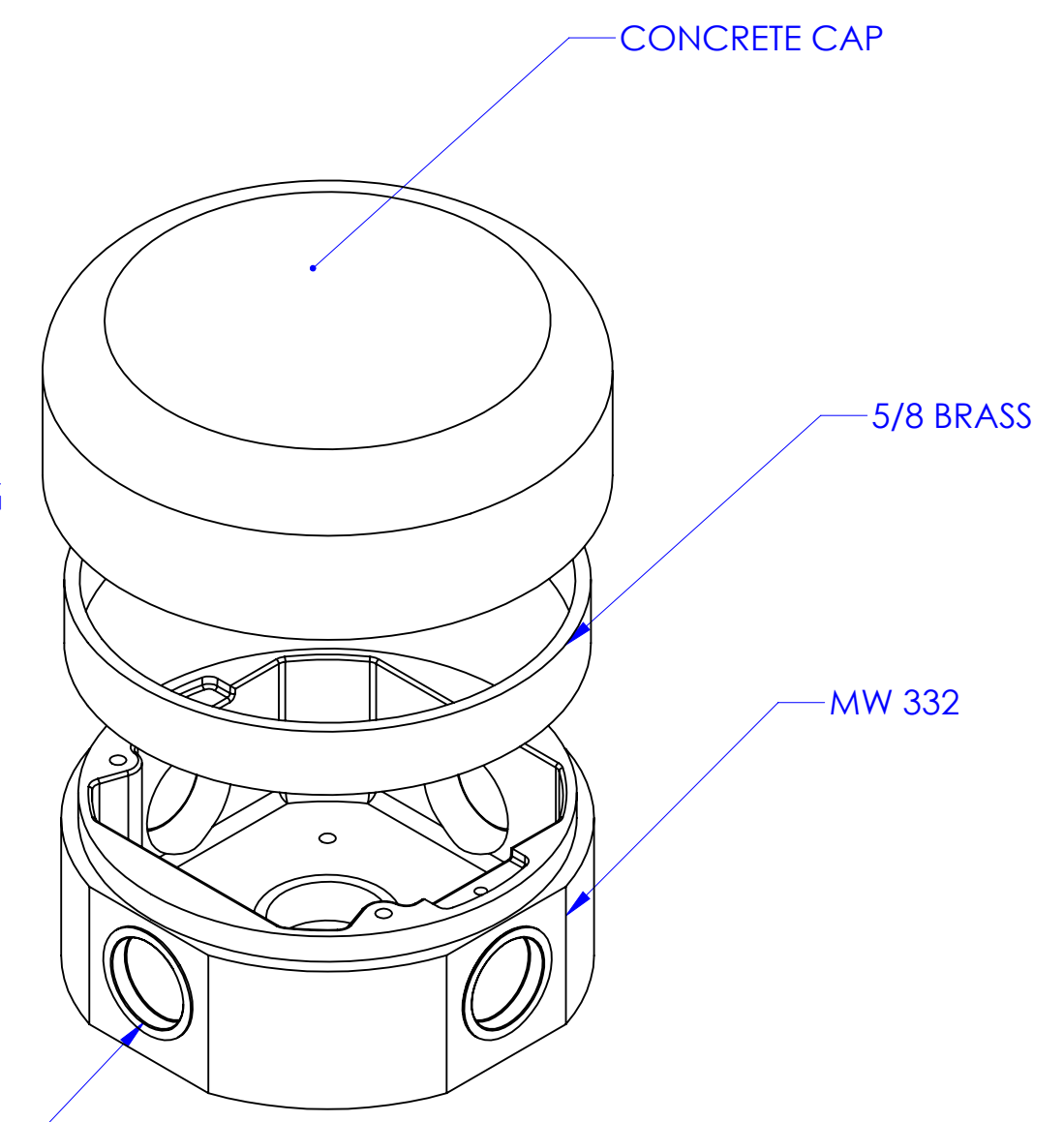
[4] 8/32 X 1-1/2 INCH LEVELING SCREWS PROVIDED



CROSS SECTION



VIEW FRONT

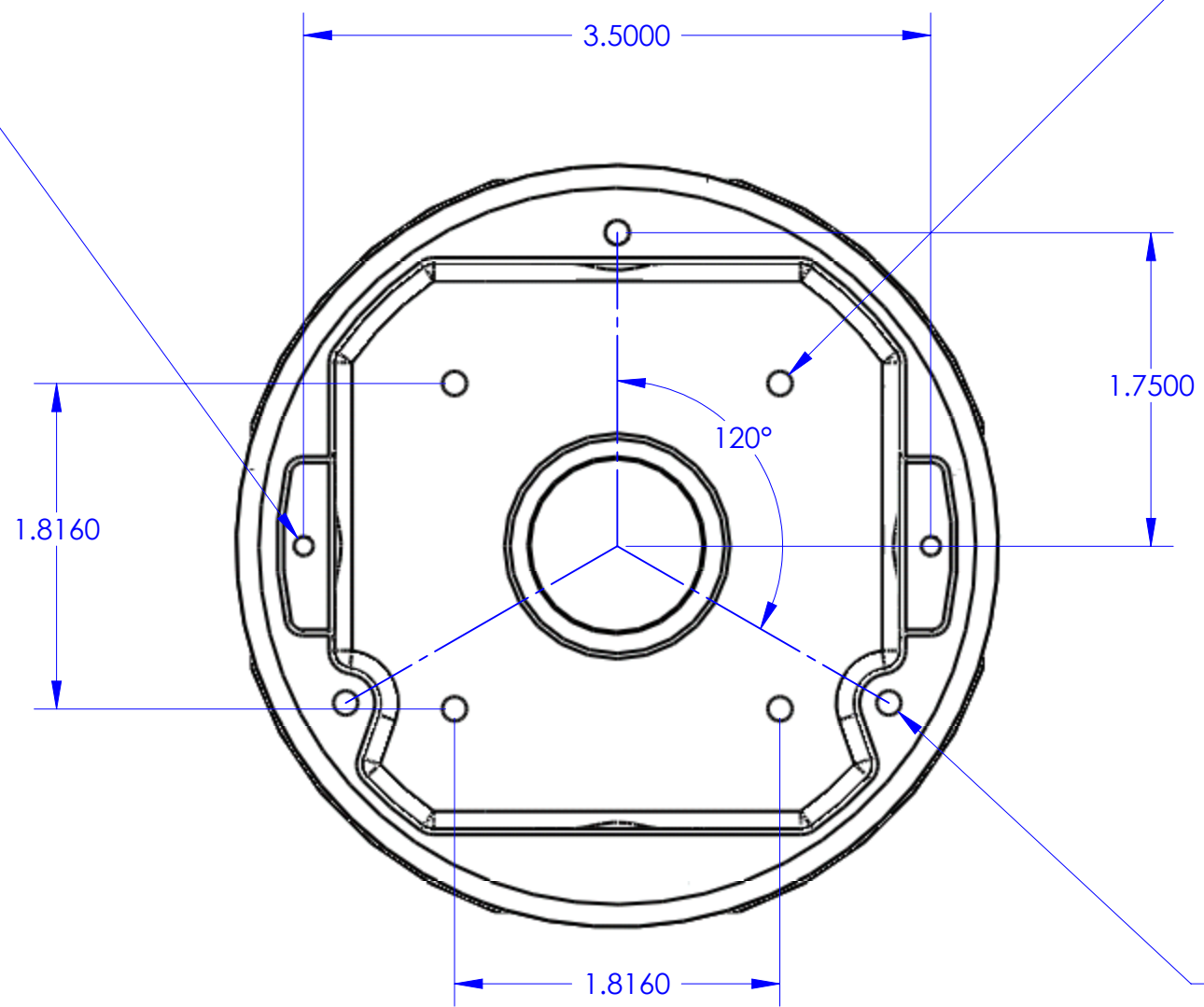


CONCRETE CAP

5/8 BRASS

MW 332

2X ϕ .1065 ∇ .4400
6-32 UNC ∇ .2800



VIEW TOP

4X ϕ .1360 ∇ .4900
8-32 UNC ∇ .2500

3/4 CONDUIT OPENING
[3/4 NPT WITH CAP]

3X ϕ .1360 ∇ .4900
8-32 UNC ∇ .3300

LEW ELECTRIC
FITTINGS COMPANY
SERVING THE ELECTRICAL INDUSTRY SINCE 1901
1801 W. St. Charles Rd. Maywood, IL 60153
PHONE: 708-345-2075

UNLESS OTHERWISE SPECIFIED:	NAME	DATE	TITLE: MW-332-58
DIMENSIONS ARE IN INCHES	DRAWN	11/4/2007	
TOLERANCES:			SIZE DWG. NO. REV C 1001360 A
FRACTIONAL \pm			
ANGULAR: MACH \pm BEND \pm			
TWO PLACE DECIMAL \pm			
THREE PLACE DECIMAL \pm			WEIGHT: SHEET 9 OF 10
INTERPRET GEOMETRIC TOLERANCING PER:	COMMENTS:		
MATERIAL:			
FINISH:			
DO NOT SCALE DRAWING			