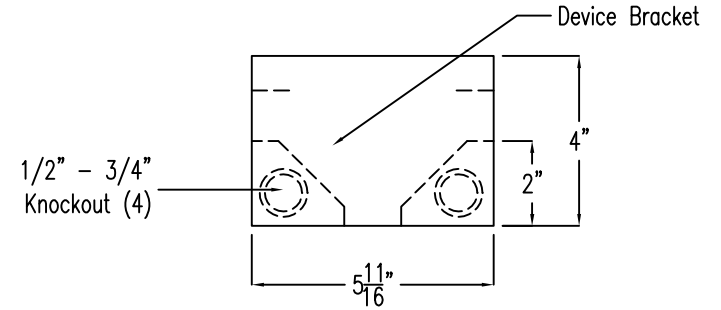
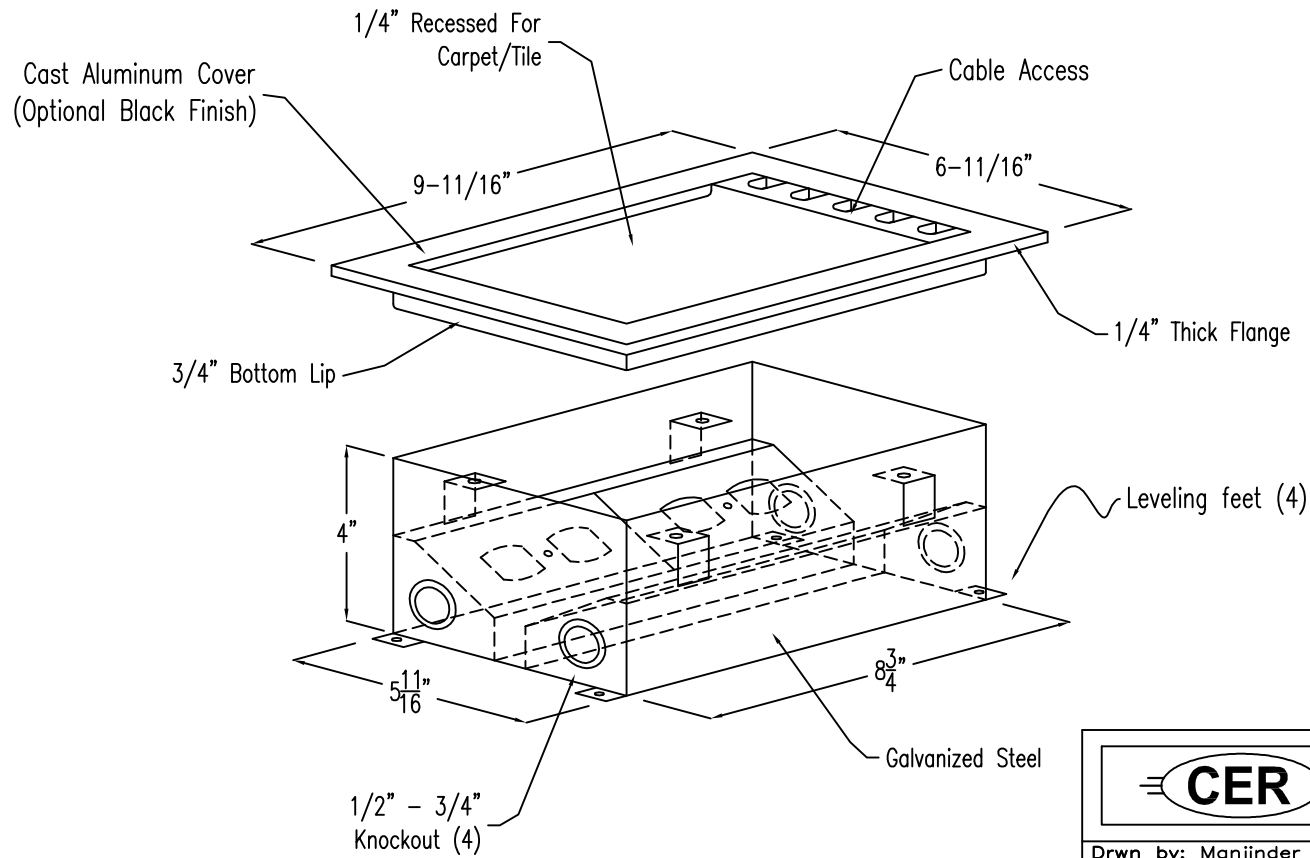



CF9C Concrete Floor Box

CF9C Base End View



Other device plates are also available



		Canadian Electrical Raceways Inc.	
Drwn by: Manjinder	Material: 16ga Galvanized Steel		
Date: Feb 27,08	Scale: Not To Scale		
CF9C Concrete Floor Box			Drwg No:
CSA Load Class:	Width: 5-11/16"	Depth: 4"	
Supplied Length: 8-3/4"	Description: FLOORBOX		
PROJECT:			