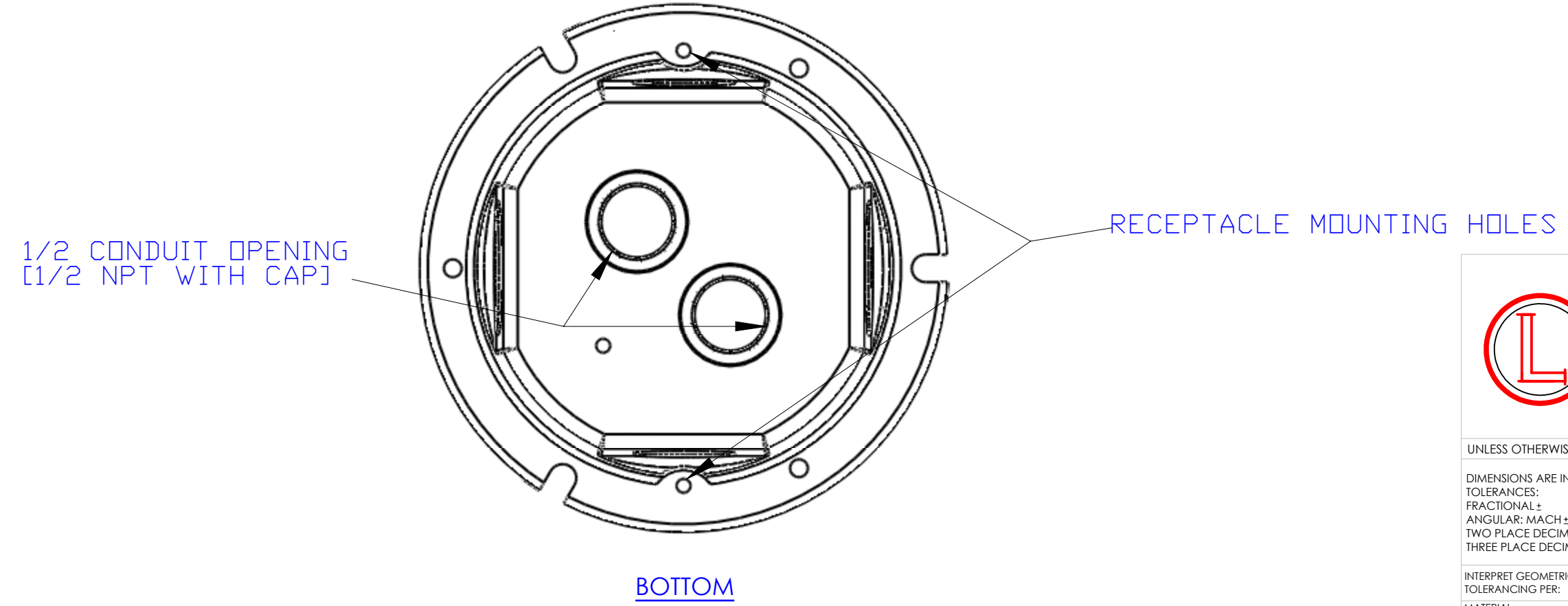
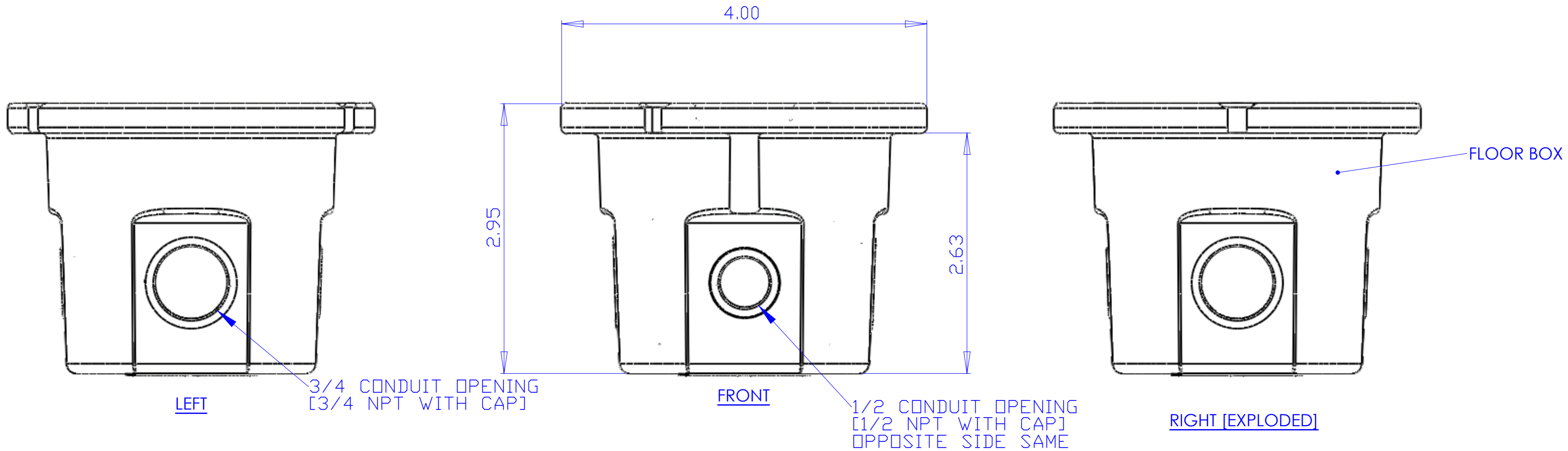
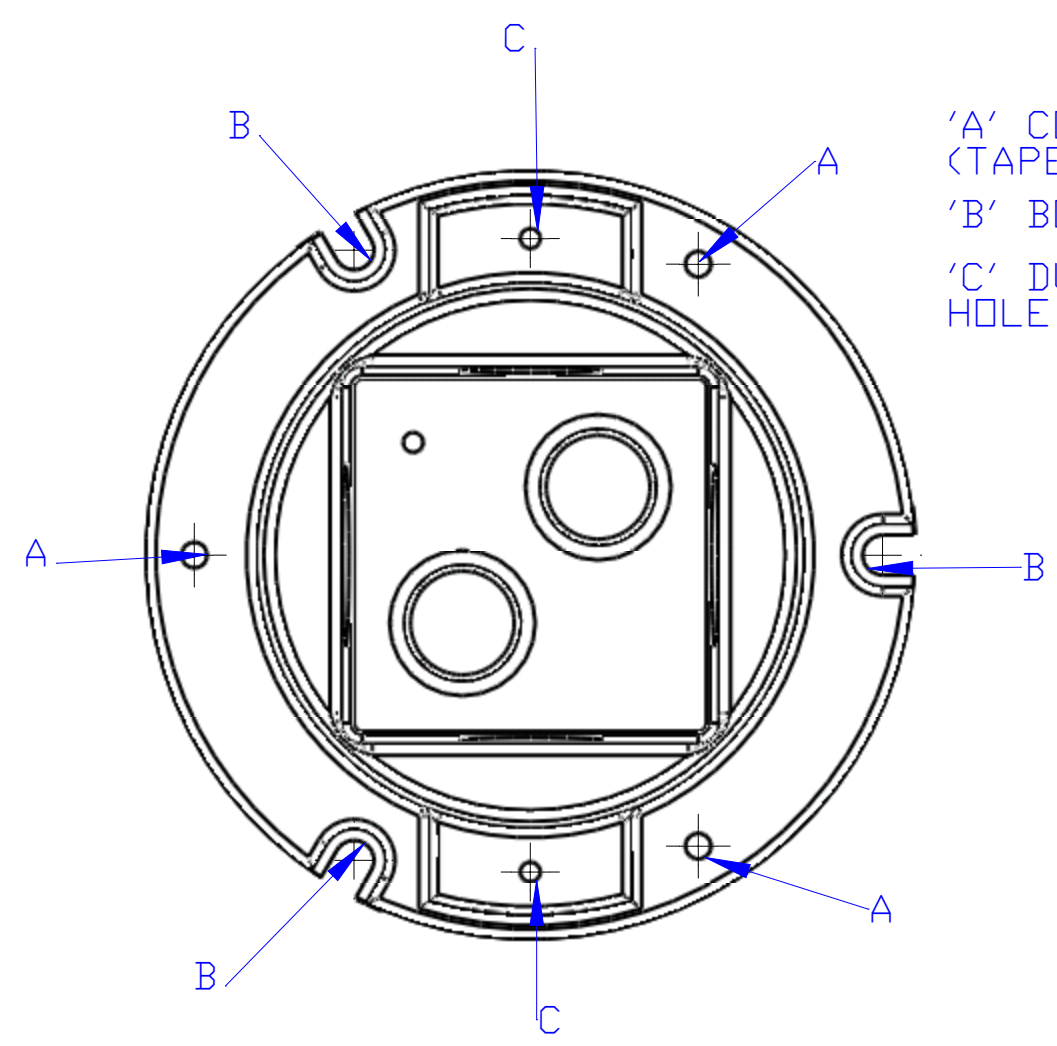


DESCRIPTION:
 CAST IRON FLOOR BOX FURNISHED WITH 15
 AMP SINGLE RECEPTACLE

'A' COVERMOUNTING HOLE
 (TAPED 8/32)
 'B' BOX MOUNTING SLOT
 'C' DUPLEX MOUNTING
 HOLE (TAPED 6/32)



LEW ELECTRIC
FITTINGS COMPANY
 SERVING THE ELECTRICAL INDUSTRY SINCE 1901
 1801 W. St. Charles Rd. Maywood, IL 60153
 PHONE: 708-345-2075

UNLESS OTHERWISE SPECIFIED:		NAME	DATE	TITLE: 812
DIMENSIONS ARE IN INCHES		DRAWN	P.J.G.	
TOLERANCES:		COMMENTS:		
FRACTIONAL ±				
ANGULAR: MACH ± BEND ±				
TWO PLACE DECIMAL ±				
THREE PLACE DECIMAL ±		REV A		
INTERPRET GEOMETRIC TOLERANCING PER:		SIZE DWG. NO.		
MATERIAL		C 1001140		
FINISH		WEIGHT: SHEET 1 OF 10		
DO NOT SCALE DRAWING				