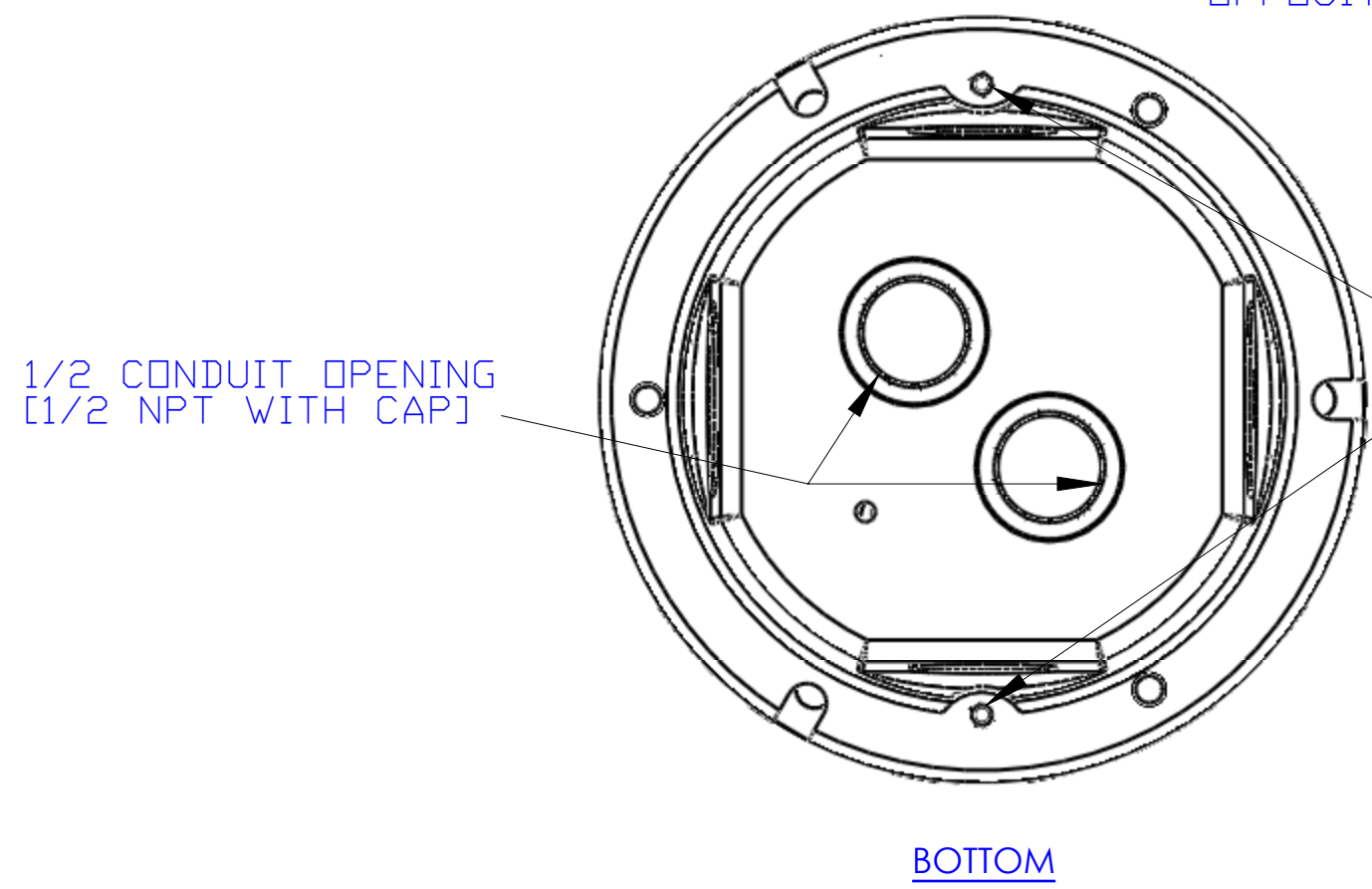
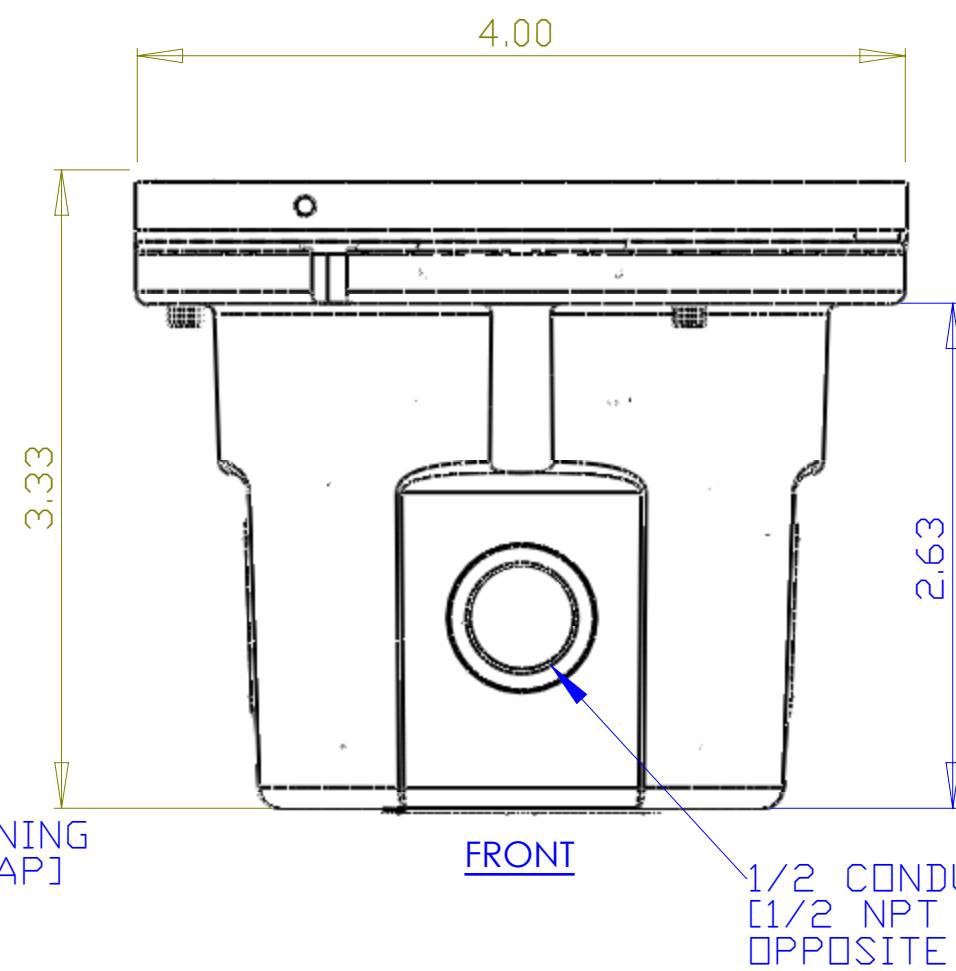
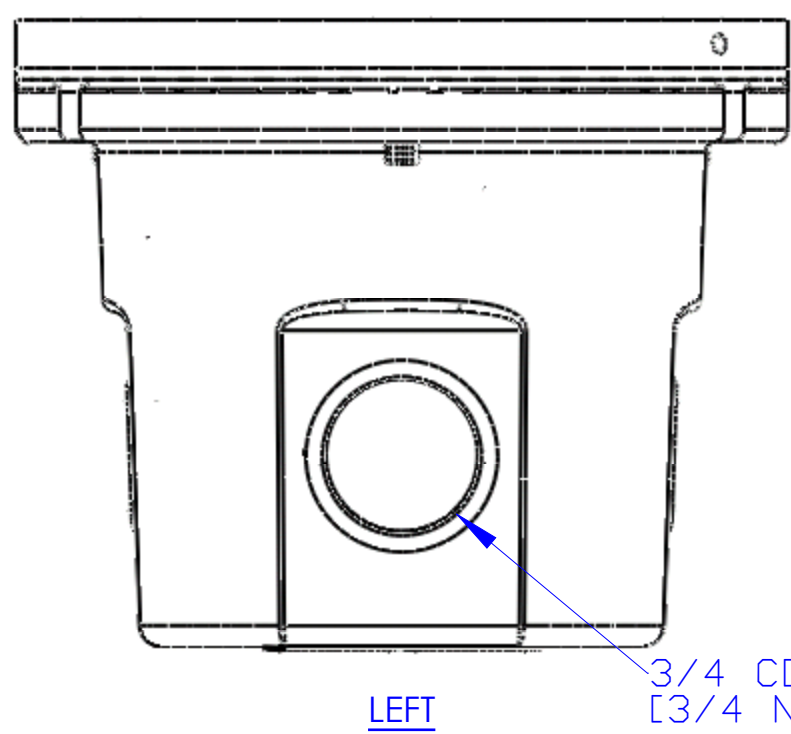
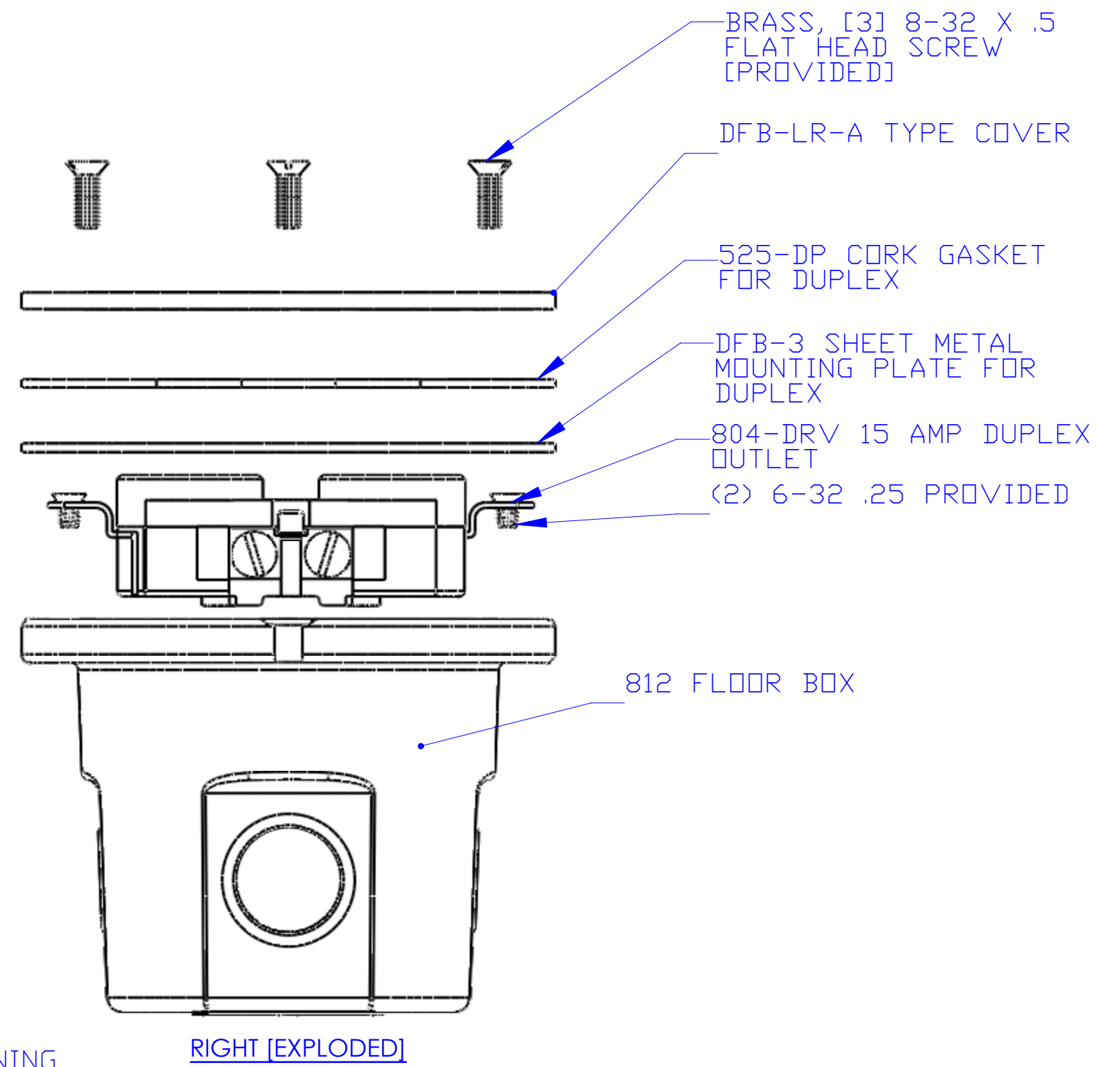


DESCRIPTION:
CAST IRON FLOOR BOX FURNISHED WITH DFB-LR-A (ALUMINUM) COVER & 15 AMP RECEPTACLE



LEW ELECTRIC FITTINGS COMPANY
SERVING THE ELECTRICAL INDUSTRY SINCE 1901
1801 W. St. Charles Rd. Maywood, IL 60153
PHONE: 708-345-2075

UNLESS OTHERWISE SPECIFIED:		NAME	DATE	TITLE: 812-DFB-LR-A
DIMENSIONS ARE IN INCHES		DRAWN	P.J.G.	
TOLERANCES:		COMMENTS:		
FRACTIONAL: ±				
ANGULAR: MACH ± BEND ±				
TWO PLACE DECIMAL ±				
THREE PLACE DECIMAL ±		SIZE DWG. NO. REV		
INTERPRET GEOMETRIC TOLERANCING PER:		C 1001040 A		
MATERIAL:		WEIGHT: SHEET 10 OF 10		
FINISH:				
DO NOT SCALE DRAWING				