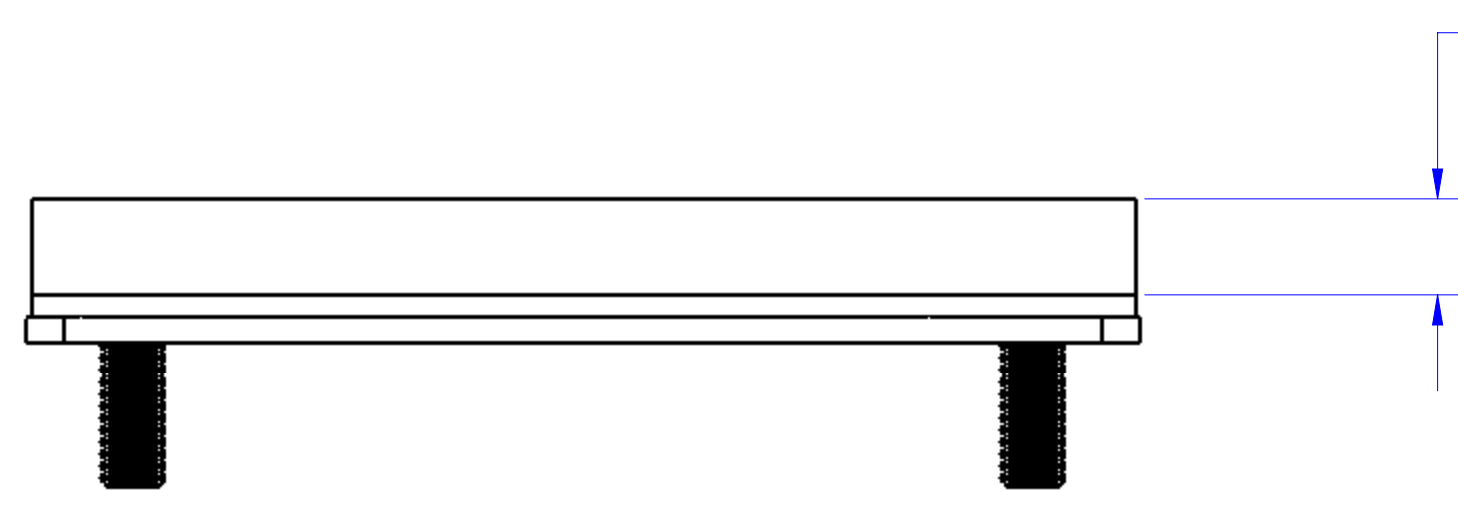
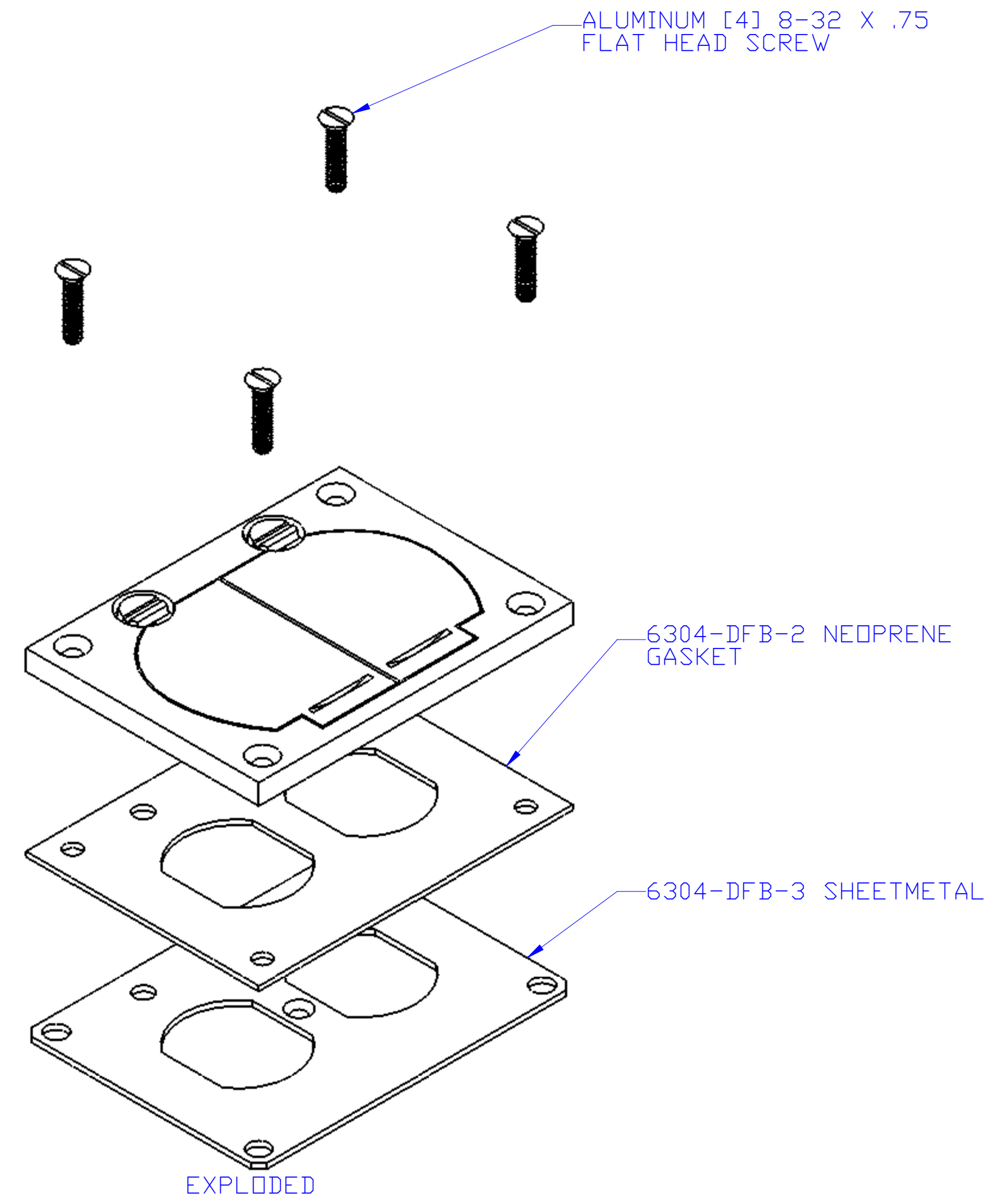


TOP VIEW



FRONT VIEW

DESCRIPTION:
ALUMINUM, DUAL HINGED 2 7/8" X 3 7/8"
COVER (1/4" THICK) FOR DUPLEX



UNLESS OTHERWISE SPECIFIED:		NAME	DATE	TITLE: 6304-DFB-LR-A
DIMENSIONS ARE IN INCHES		DRAWN	PJG	
TOLERANCES:				
FRACTIONAL: ±				
ANGULAR: MATCH ± BEND ±				
TWO PLACE DECIMAL ±				
THREE PLACE DECIMAL ±				
INTERPRET GEOMETRIC TOLERANCING PER:		COMMENTS:		
MATERIAL				
FINISH				
DO NOT SCALE DRAWING		SIZE	DWG. NO.	REV
		C	1001580	A
		SCALE: 1:1	WEIGHT:	SHEET 8 OF 8