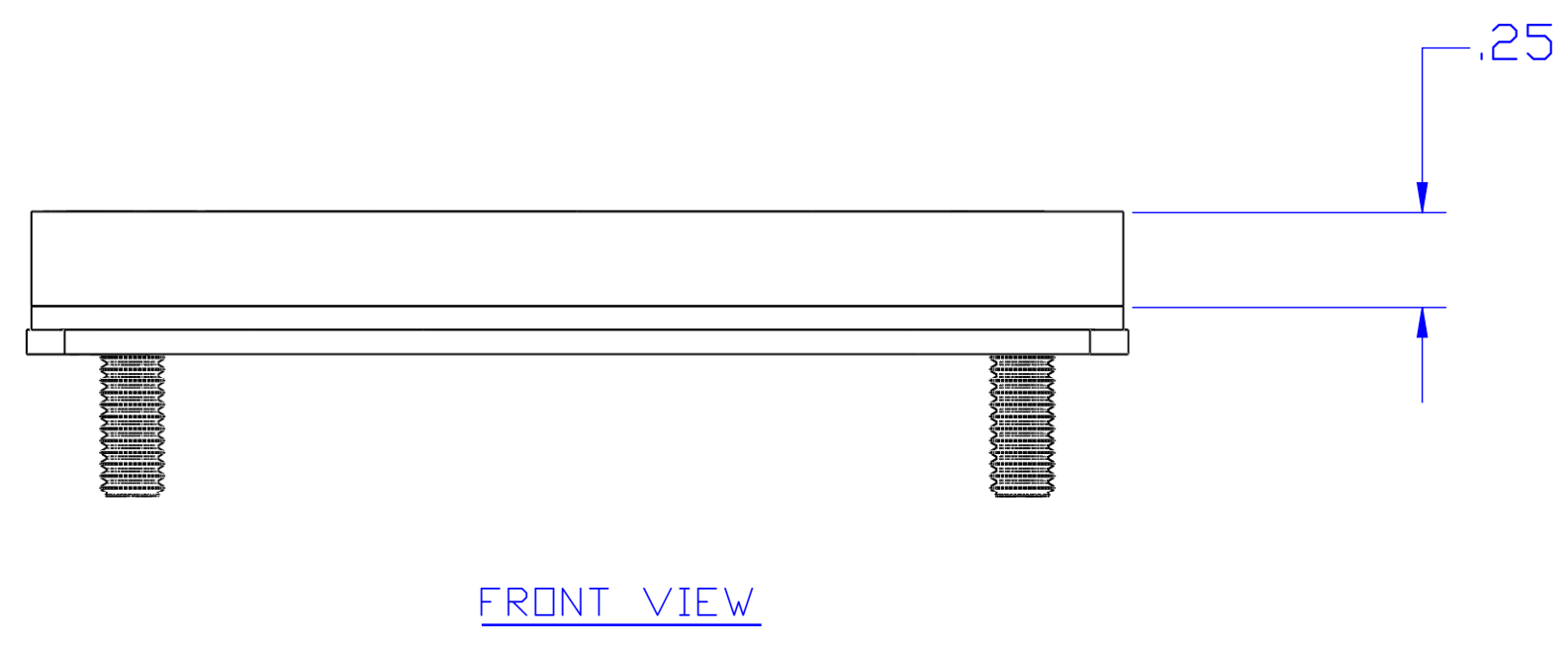
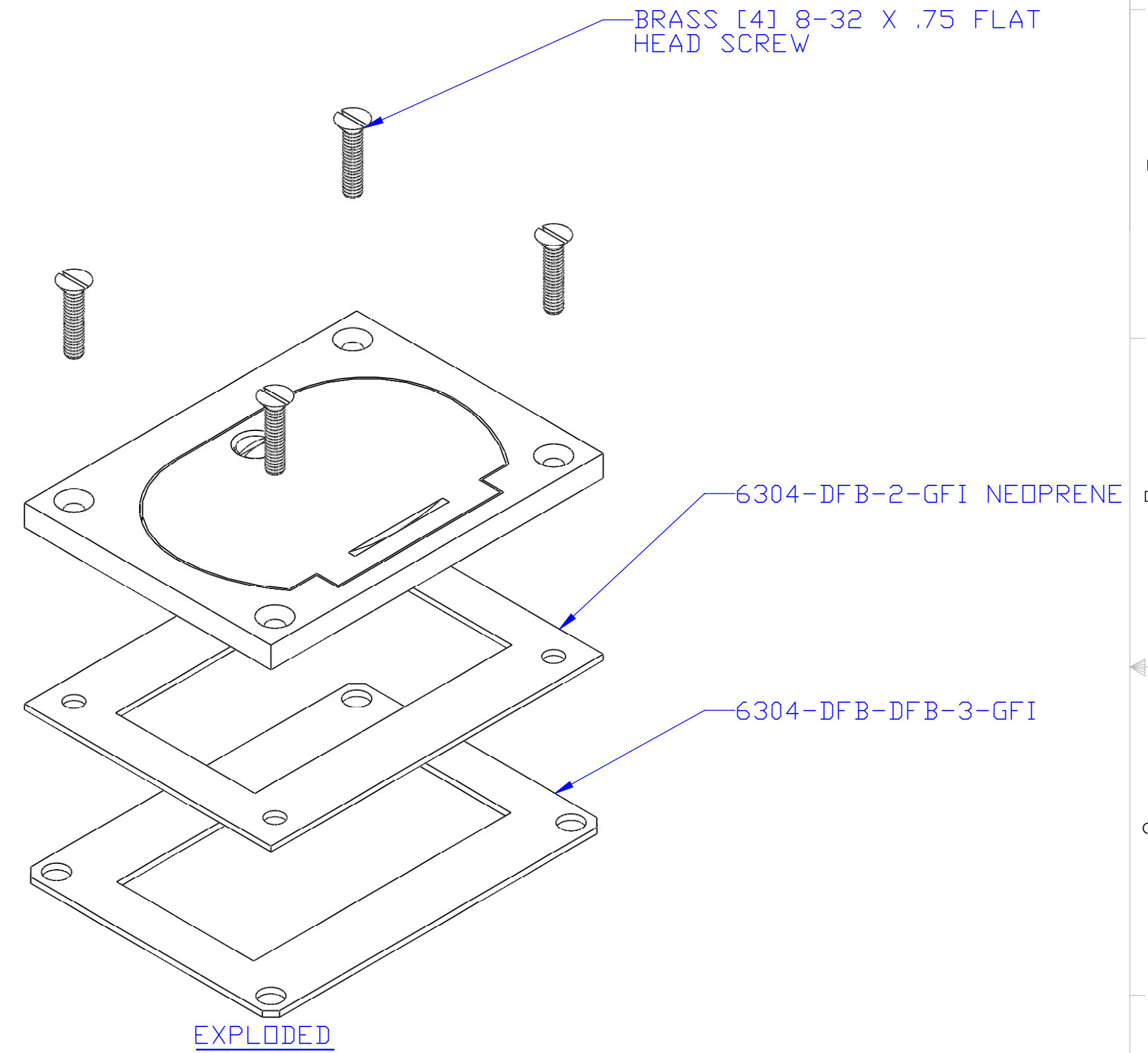
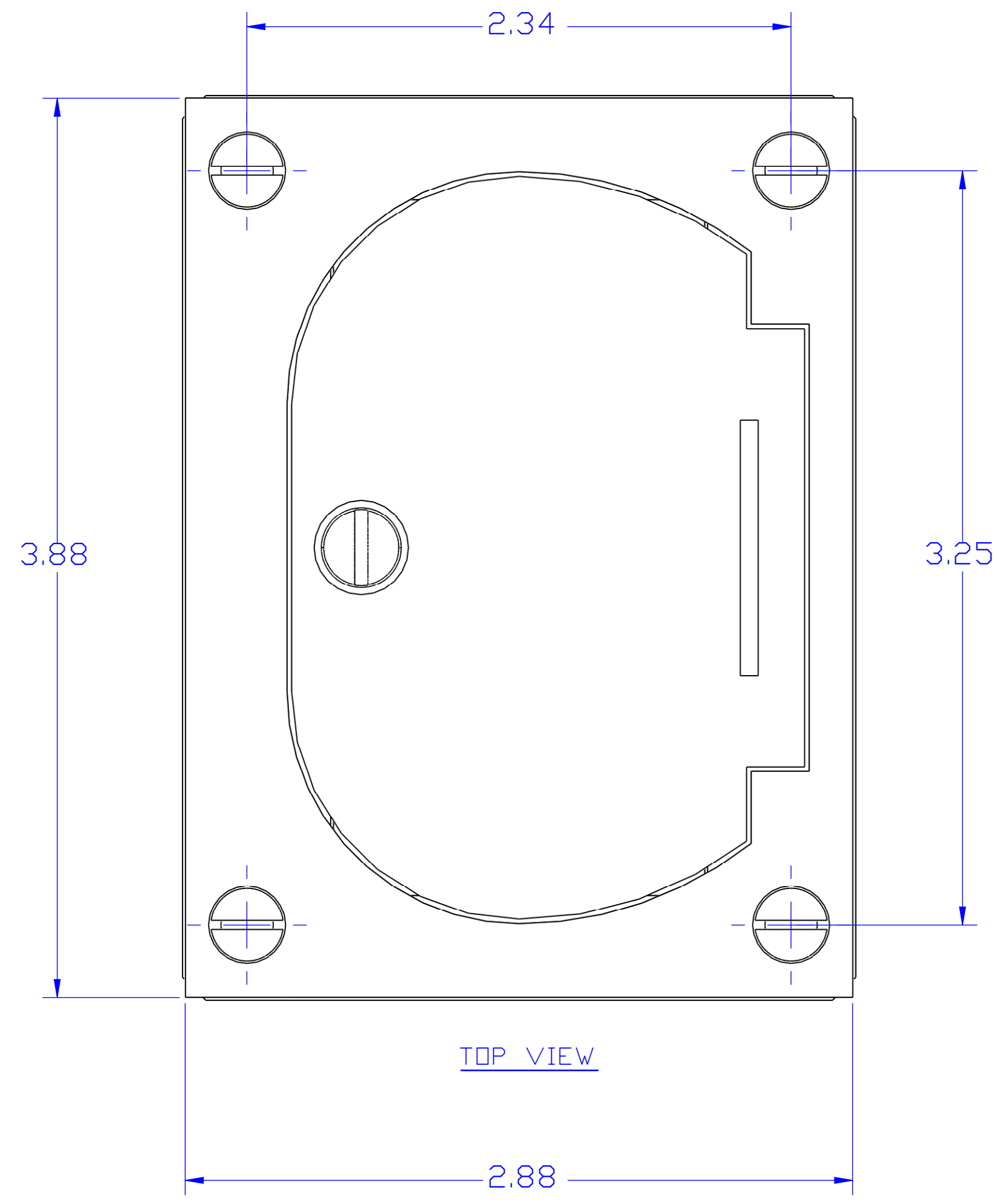
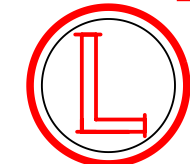


DESCRIPTION:  
BRASS, HINGED 2 7/8" X 3 7/8" COVER  
(1/4" THICK) FOR DECORA RECEPTACLE





**LEW ELECTRIC**  
**FITTINGS COMPANY**  
SERVING THE ELECTRICAL INDUSTRY SINCE 1901  
1801 W. St. Charles Rd. Maywood, IL 60153  
PHONE: 708-345-2075

UNLESS OTHERWISE SPECIFIED:		NAME	DATE
DIMENSIONS ARE IN INCHES		DRAWN	P.J.G. 11/7/2007
TOLERANCES:			
FRACTIONAL ±			
ANGULAR: MACH ± BEND ±			
TWO PLACE DECIMAL ±			
THREE PLACE DECIMAL ±			
INTERPRET GEOMETRIC TOLERANCING PER:		COMMENTS:	
MATERIAL			
FINISH			
DO NOT SCALE DRAWING			

**TITLE:**  
**6304-DFB-1-GFI**

SIZE	DWG. NO.	REV
<b>C</b>	1001550	<b>A</b>
WEIGHT:	SHEET 3 OF 8	