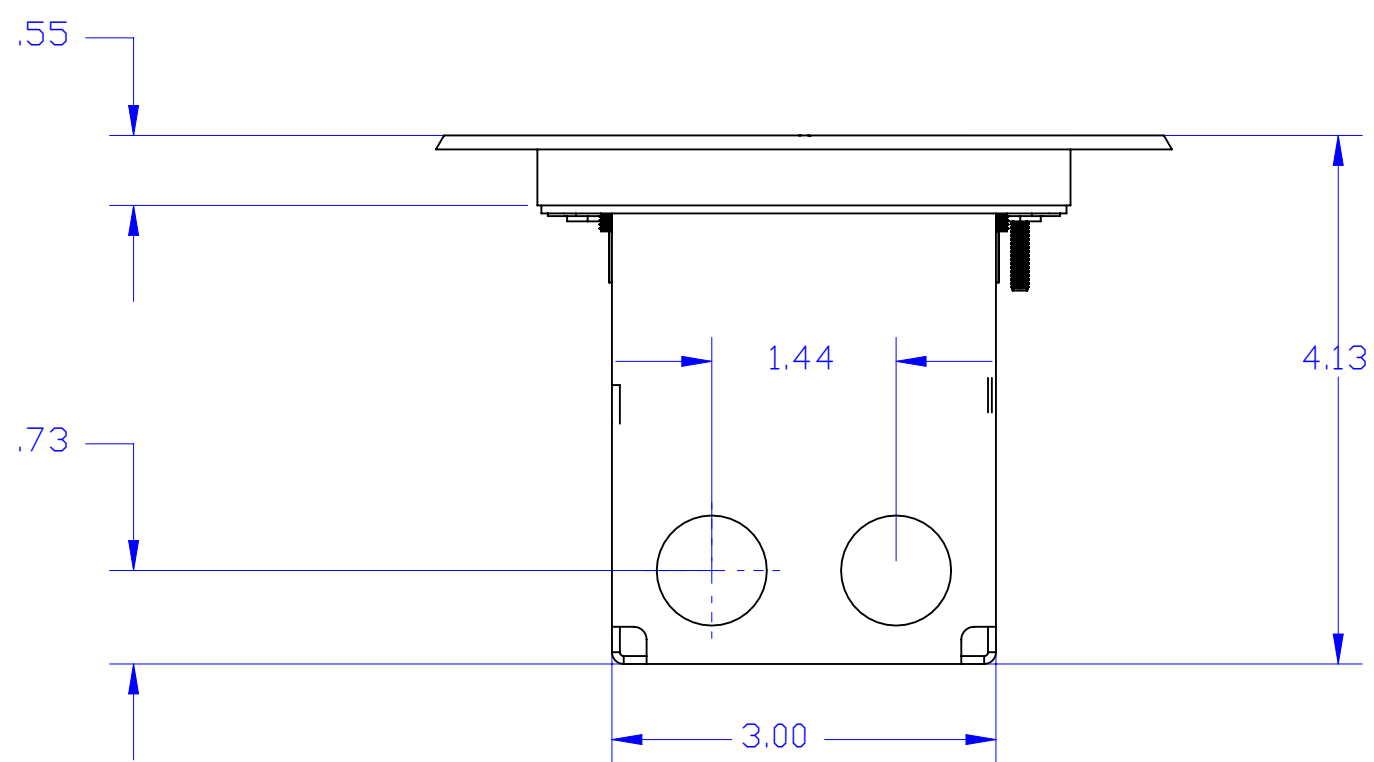
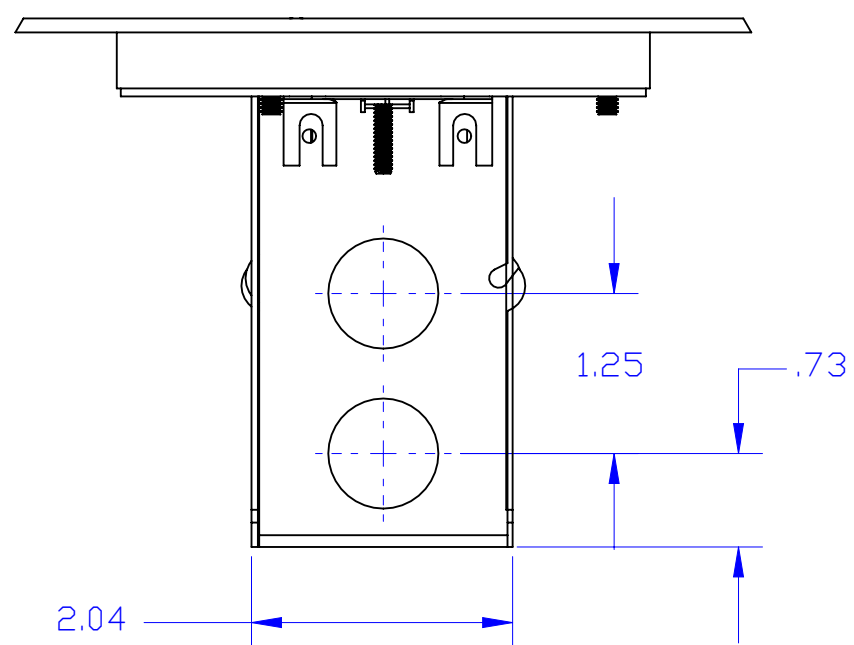


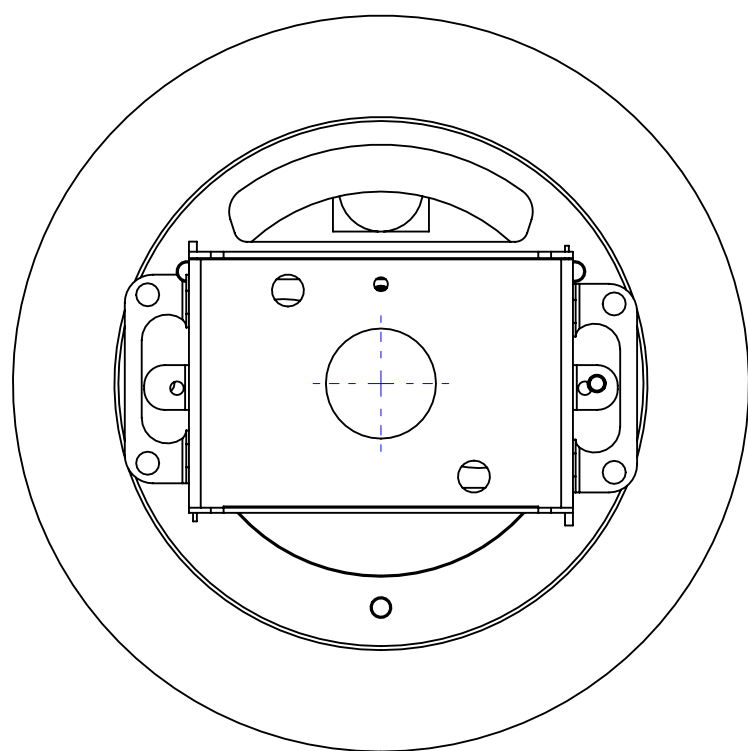
VIEW TOP



VIEW FRONT

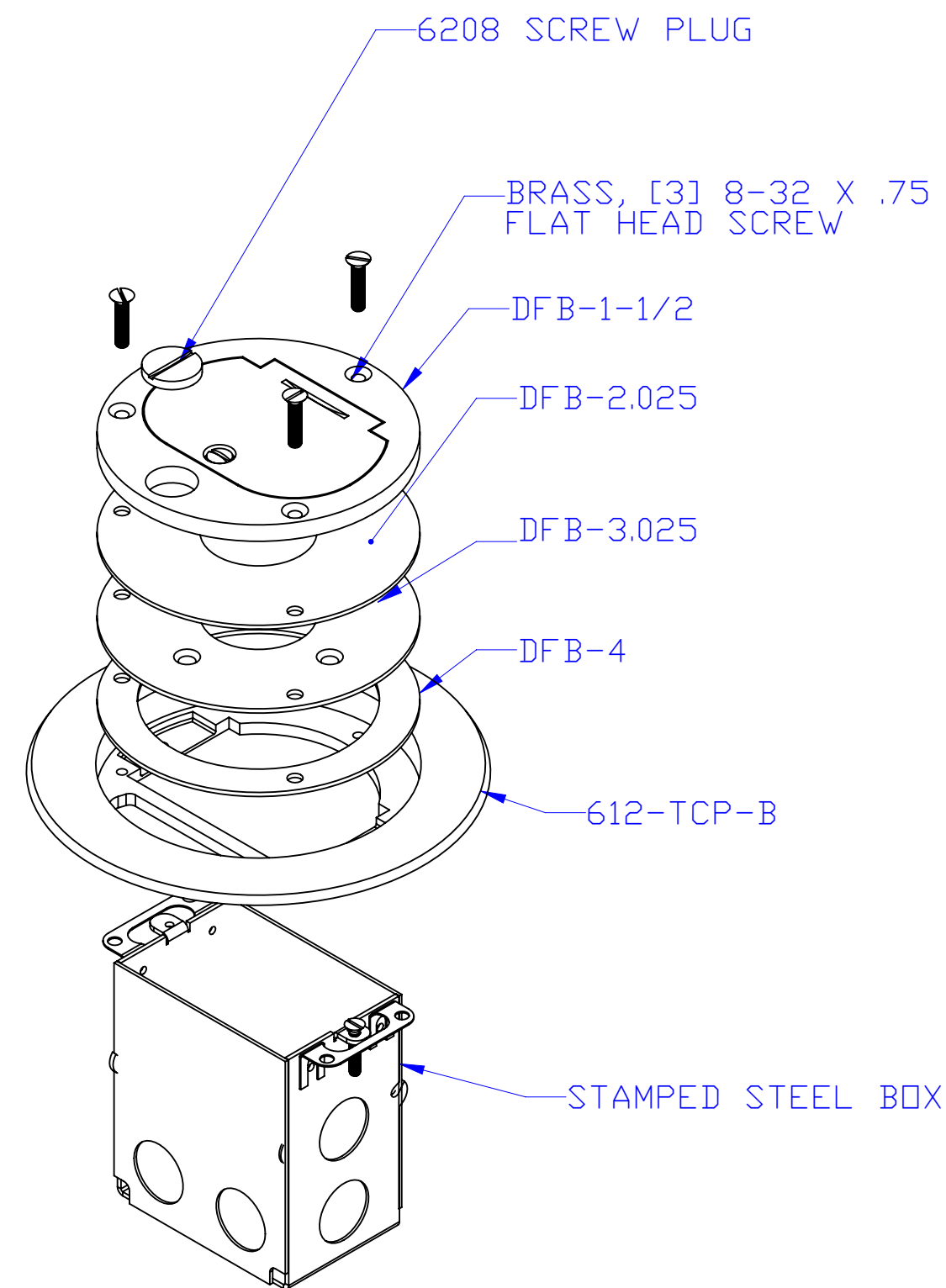


VIEW RIGHT



VIEW BOTTOM

DESCRIPTION:  
 RECESSED STAMPED STEEL BOX ASSEMBLY  
 WITH 5 3/4" 4 3/8" SIDES (8) 1/2" 18 CU.  
 IN. WITH DFB-1-1/2 BRASS COVER AND  
 COMMUNICATION MOUNTING PLATE BOTTOM (1)  
 1/2"



**LEW ELECTRIC**  
**FITTINGS COMPANY**  
 SERVING THE ELCTRICAL INDUSTRY SINCE 1901  
 1801 W. St. Charles Rd. Maywood, IL 60153  
 PHONE: 708-345-2075

UNLESS OTHERWISE SPECIFIED:	NAME	DATE	TITLE: <b>612-RSS-1-TEL</b>
DIMENSIONS ARE IN INCHES	DRAWN	12/31/2007	
TOLERANCES: FRACTIONAL ± ANGULAR: MACH ± BEND ± TWO PLACE DECIMAL ± THREE PLACE DECIMAL ±	P.J.G.		SIZE DWG. NO. REV <b>C</b> 1001750 <b>A</b>
INTERPRET GEOMETRIC TOLERANCING PER: MATERIAL	COMMENTS:		
FINISH	DO NOT SCALE DRAWING		WEIGHT: SHEET 5 OF 12