

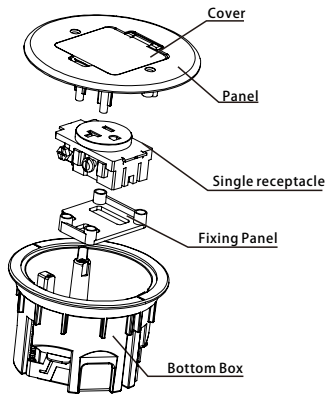


LEW ELECTRIC FITTINGS COMPANY

INSTALLATION INSTRUCTIONS

IMPORTANT: Read all instructions before installing the RB series.

Exploded Product Diagram



Safety Guide

1. Contact a local electrical inspector to make sure that this product meets or exceeds all local electrical codes (electric codes may vary by location).
2. Disconnect and turn off all power sources.
3. For indoor use only.
4. This product is designed for access floors or on desktops.
5. Only licensed insured, and bonded electrical contractors should install the RB Series
6. Lew Electric accepts no responsibility if the above conditions are not followed

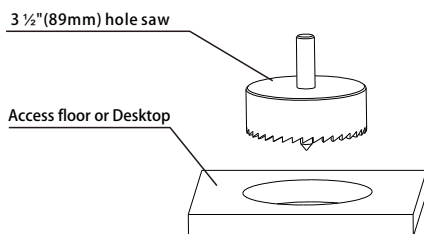
Tools required for Installation

1. Phillips Head Screwdriver
2. Electric drill + 3 1/2" (89mm) Hole saw

Installation Steps

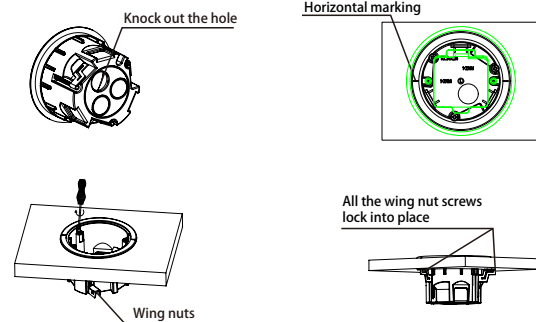
1. Cut-out opening

Using a 3 1/2" (89mm) hole saw, make a cut through the finished floor and subfloor.



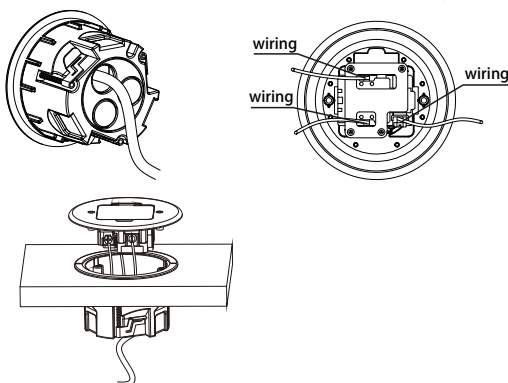
2. Bottom Box Installation

- . Remove the receptacle assembly from the box and set it aside for later use.
- . Drop the box through the hole. Wing nuts must be folded inward to allow box to fall through hole.
- . Once through the hole, tighten the wing nut screws until they lock into place from below.



3. Wiring

Connect copper wires to the device following electrical code guidelines.



4. Panel Installation

- . Place the panel assembly on top of the floor box at an inclined angle.
- . Rotate the panel counter clock wise until it can no longer turn. This aligns the mounting holes.
- . Using supplied 2 screws (as shown in the diagram) to secure the panel assembly in place.

