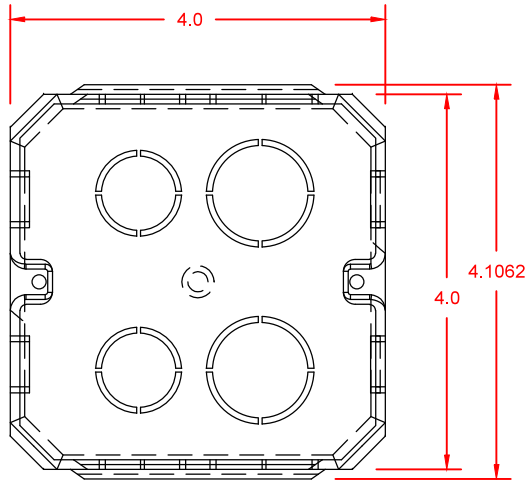
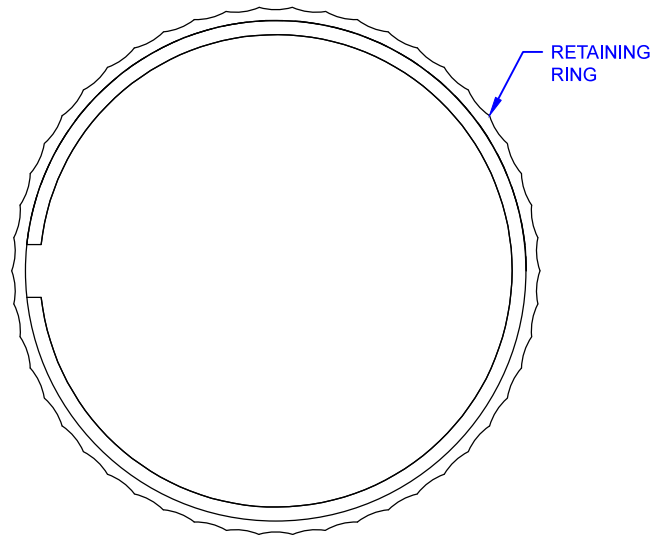


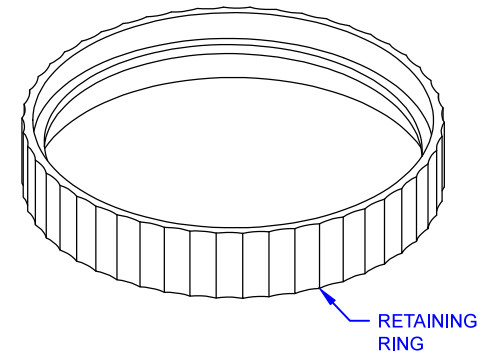
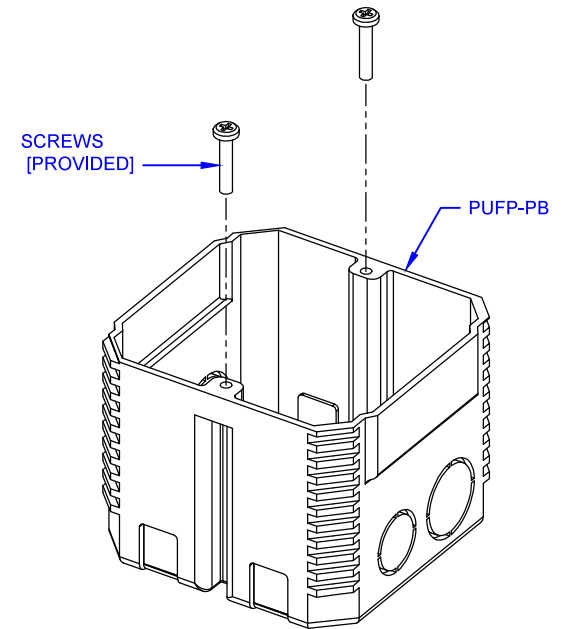
FRONT VIEW



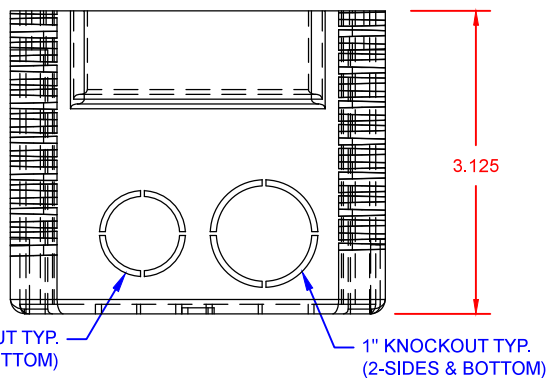
TOP VIEW



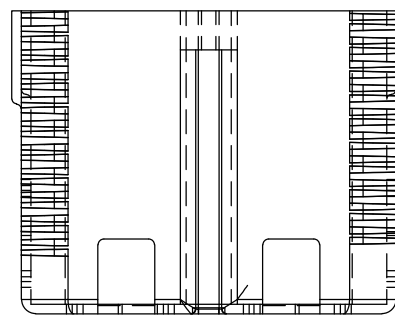
TOP VIEW




RETAINING RING



FRONT VIEW



RIGHT SIDE VIEW



**LEW ELECTRIC
FITTINGS COMPANY**
SERVING THE ELECTRICAL INDUSTRY SINCE 1901
371 Randy Rd, Carol Stream, IL 60188
PHONE: 630.865.2075

| | | | | |
|--------------------------------------|--|------------------|---------------------------|--------------------------|
| UNLESS OTHERWISE SPECIFIED: | | NAME | DATE | TITLE: PUFP-PB |
| DIMENSIONS ARE IN INCHES | | DRAWN | SMK | |
| TOLERANCES: | | | | |
| FRACTIONAL ± | | | | |
| ANGULAR: MACH ± BEND ± | | | | |
| TWO PLACE DECIMAL ± | | | | |
| THREE PLACE DECIMAL ± | | | | |
| INTERPRET GEOMETRIC TOLERANCING PER: | | COMMENTS: | | |
| MATERIAL: | | | | |
| FINISH: | | | | |
| DO NOT SCALE DRAWING | | SIZE A | DWG. NO. 000001 | REV A |
| | | WEIGHT: | | SHEET 1 OF 1 |