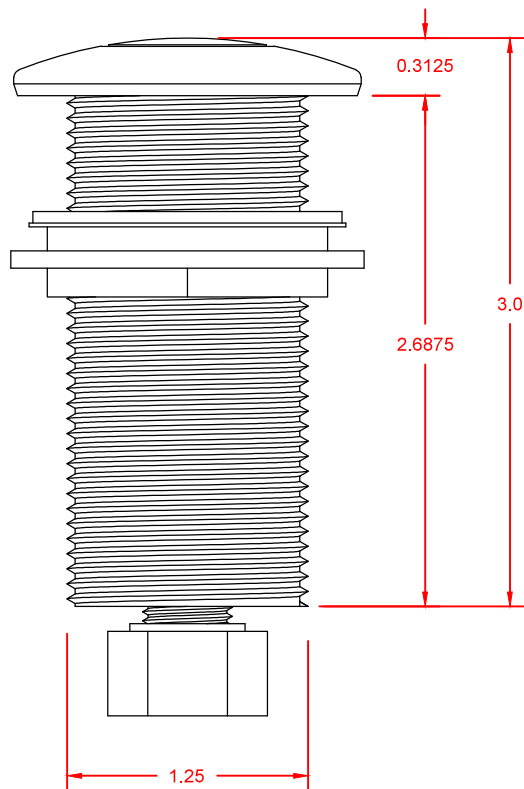
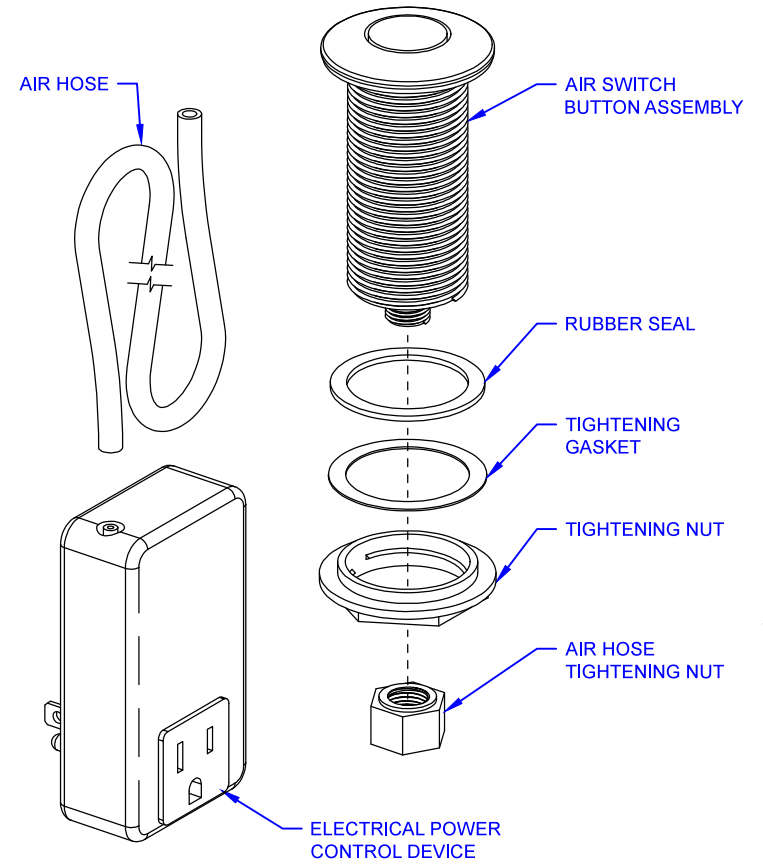
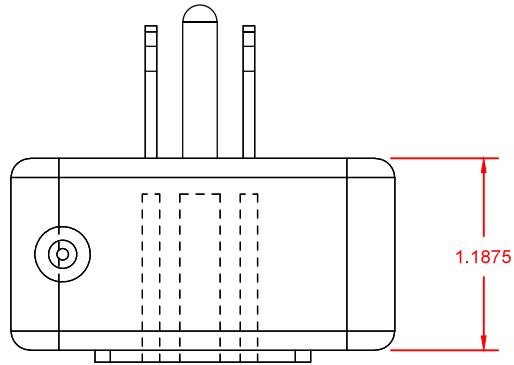
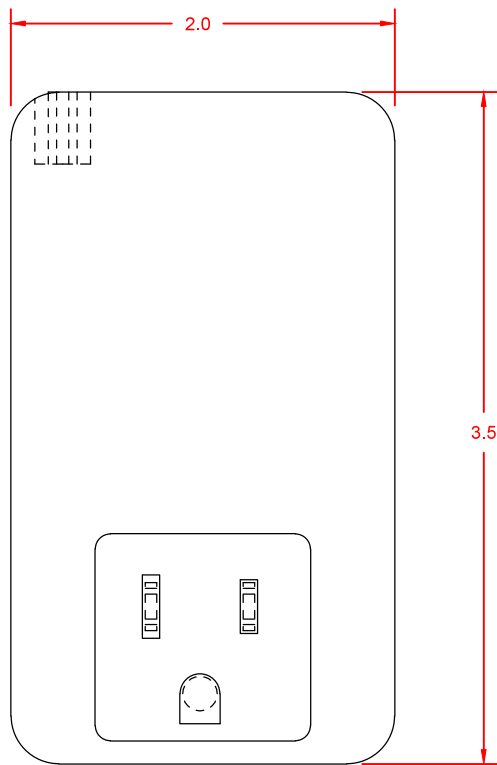



TOP VIEW



FRONT VIEW





**LEW ELECTRIC  
FITTINGS COMPANY**  
SERVING THE ELECTRICAL INDUSTRY SINCE 1901

371 Randy Rd, Carol Stream, IL 60188  
PHONE: 630.665.2075

UNLESS OTHERWISE SPECIFIED:		NAME	DATE
DIMENSIONS ARE IN INCHES		DRAWN	SMK
TOLERANCES:			
FRACTIONAL ±			
ANGULAR: MACH ±			
TWO PLACE DECIMAL ±			
THREE PLACE DECIMAL ±			
INTERPRET GEOMETRIC TOLERANCING PER:		TITLE:	
MATERIAL		<div style="text-align: center; font-weight: bold; font-size: 1.2em;">PDAS-XX</div>	
FINISH			
COMMENTS:		SIZE	DWG. NO.
		<b>A</b>	<b>000001</b>
		REV	<b>A</b>
DO NOT SCALE DRAWING		WEIGHT:	SHEET 1 OF 1