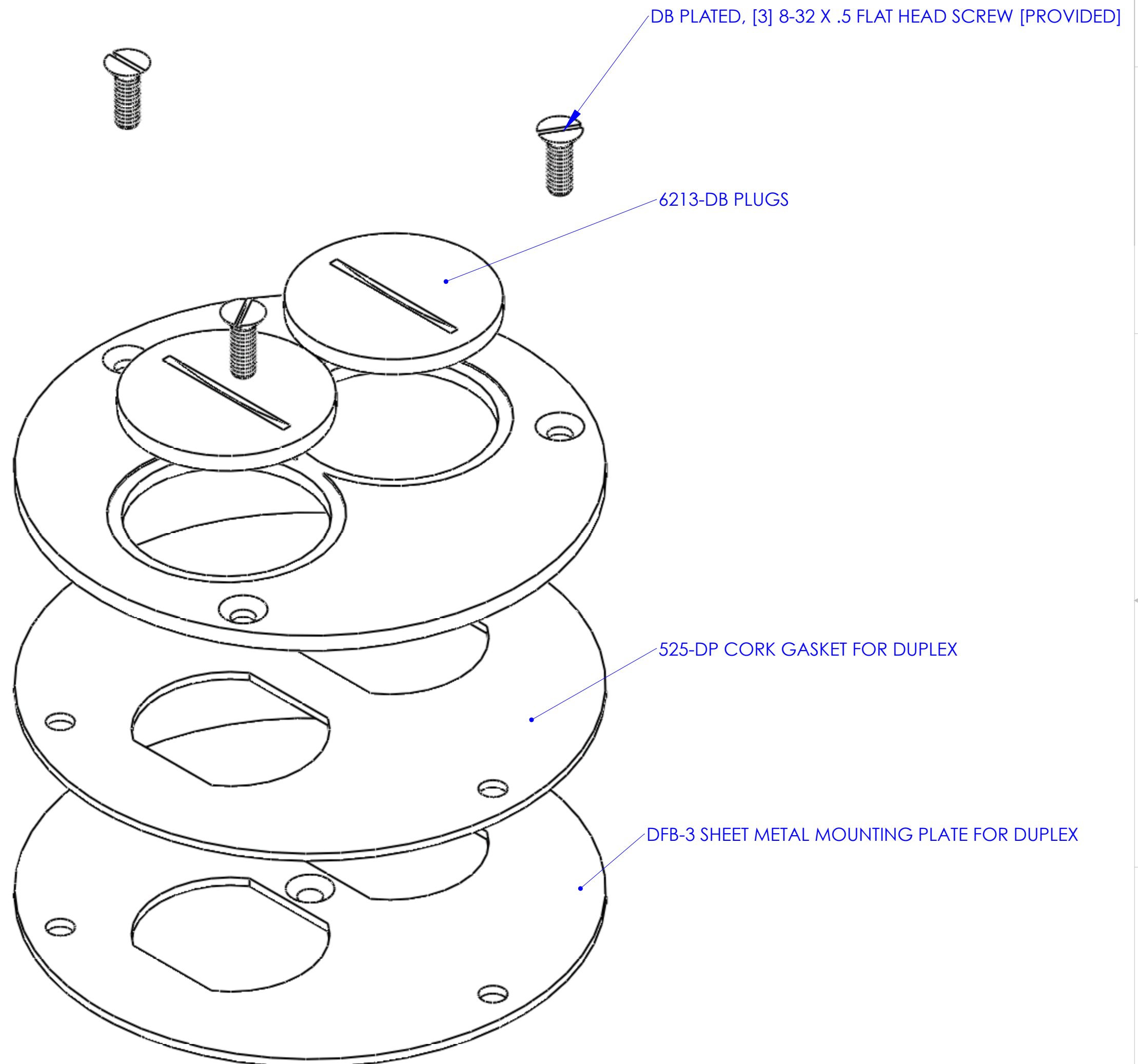
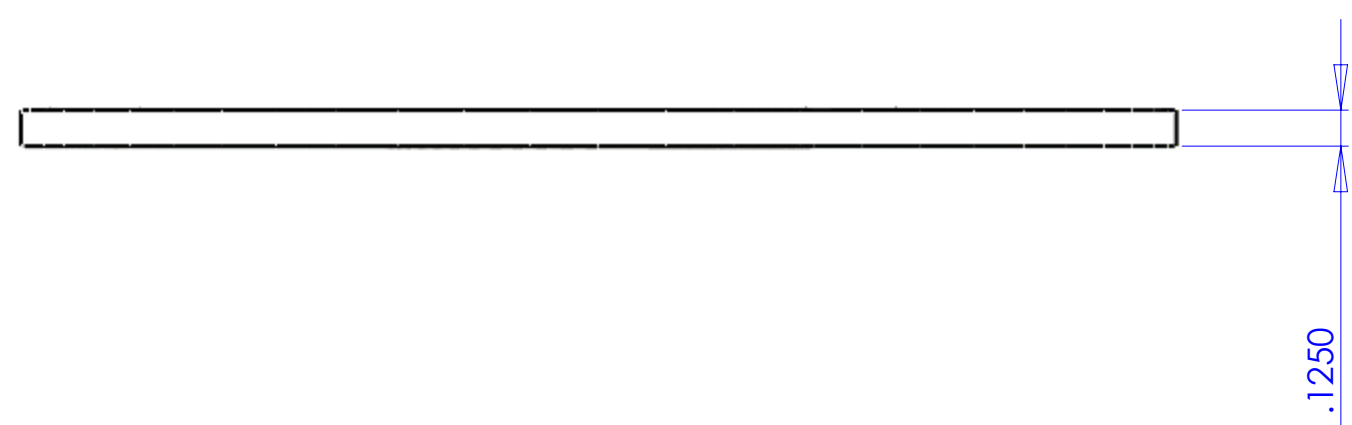
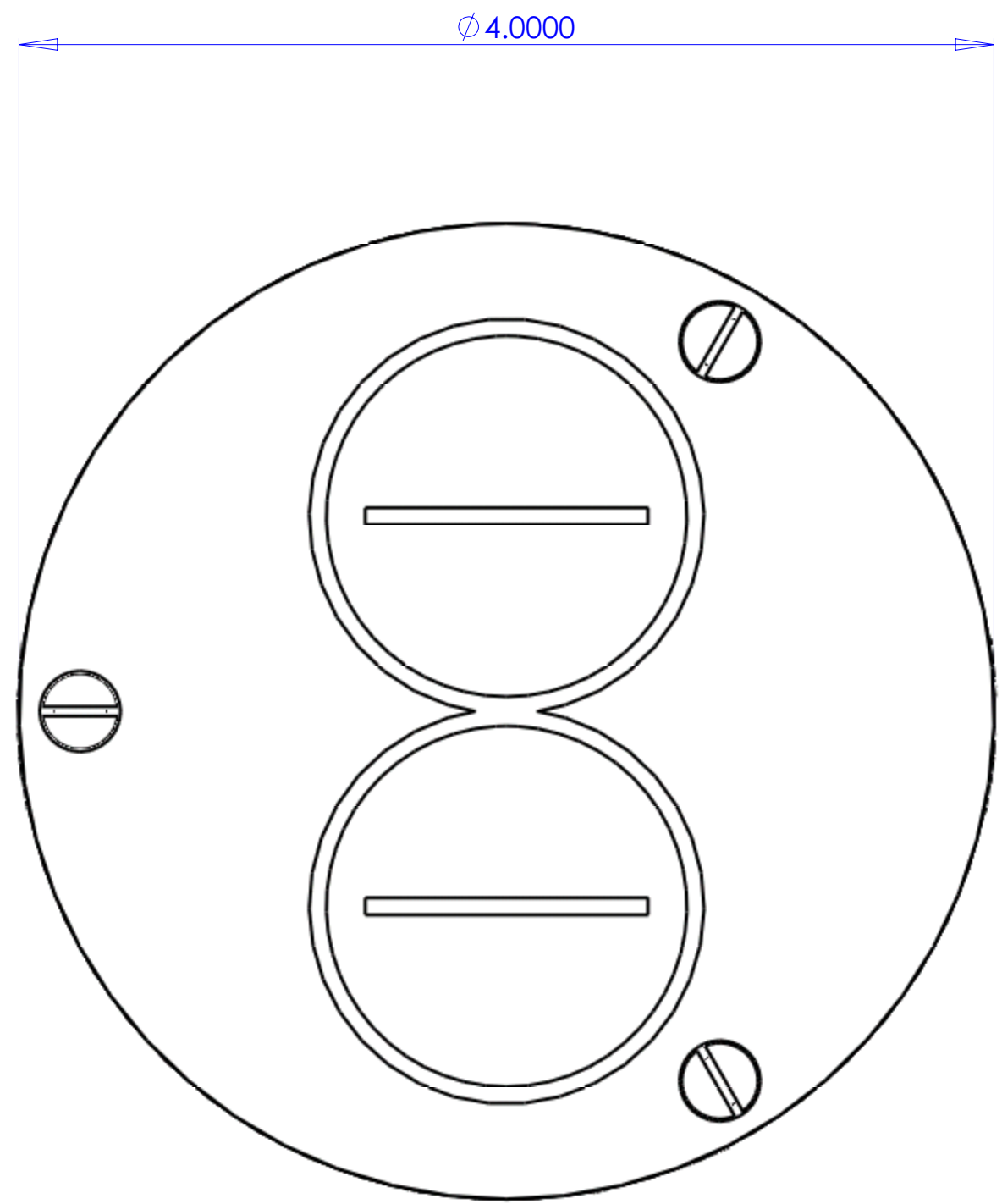
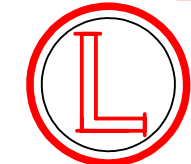


DESCRIPTION:
 DARK BRONZE PLATED, 4" COVER (1/8" THICK) WITH (2)
 1-1/2" SCREW PLUGS FOR DUPLEX





LEW ELECTRIC
FITTINGS COMPANY
 SERVING THE ELECTRICAL INDUSTRY SINCE 1901

371 RANDY RD, CAROL STREAM IL 60188
 PHONE: 630 665 2075

UNLESS OTHERWISE SPECIFIED: DIMENSIONS ARE IN INCHES TOLERANCES: FRACTIONAL ± ANGULAR: MACH ± BEND ± TWO PLACE DECIMAL ± THREE PLACE DECIMAL ± INTERPRET GEOMETRIC TOLERANCING PER: MATERIAL FINISH DO NOT SCALE DRAWING	NAME P.J.G. DATE 9/25/2007	TITLE: <h3 style="margin: 0;">523-DP-DB</h3>
COMMENTS:	SIZE <h2 style="margin: 0;">C</h2>	DWG. NO. 100123
WEIGHT:		REV <h2 style="margin: 0;">A</h2>
SHEET 9 OF 13		