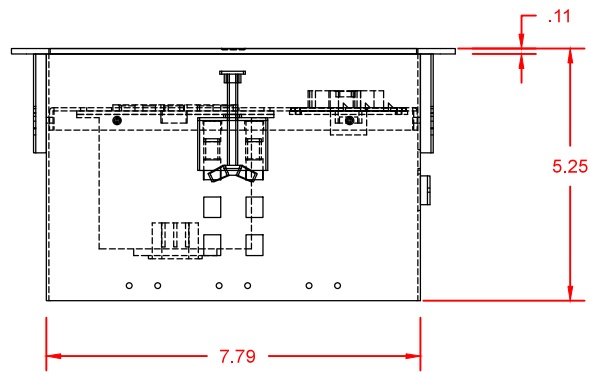
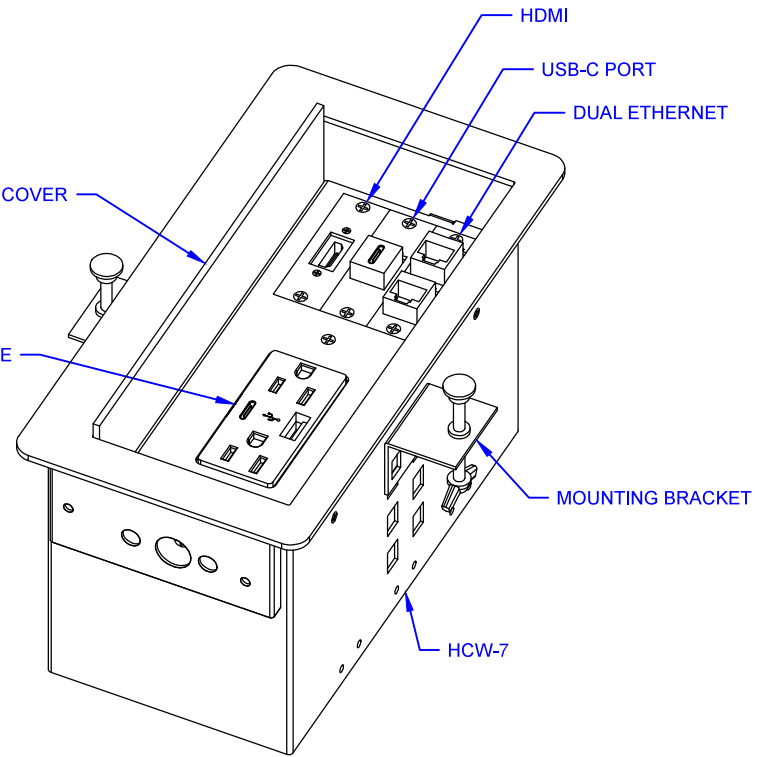
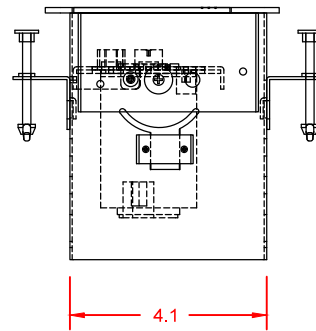



TOP VIEW



FRONT VIEW



SIDE VIEW



**LEW ELECTRIC
FITTINGS COMPANY**
SERVING THE ELECTRICAL INDUSTRY SINCE 1901
371 Randy Rd, Carol Stream, IL 60188
PHONE: 630.665.2075

UNLESS OTHERWISE SPECIFIED: DIMENSIONS ARE IN INCHES TOLERANCES: FRACTIONAL ± ANGULAR: MACH ± BEND ± TWO PLACE DECIMAL ± THREE PLACE DECIMAL ±	DRAWN	NAME	DATE	<p>TITLE: HCW-7</p>
INTERPRET: GEOMETRIC TOLERANCING PER:	SMK		10/12/2020	
MATERIAL	COMMENTS:			SIZE
FINISH				DWG. NO. 000001
DO NOT SCALE DRAWING				REV A
				WEIGHT: SHEET 1 OF 1