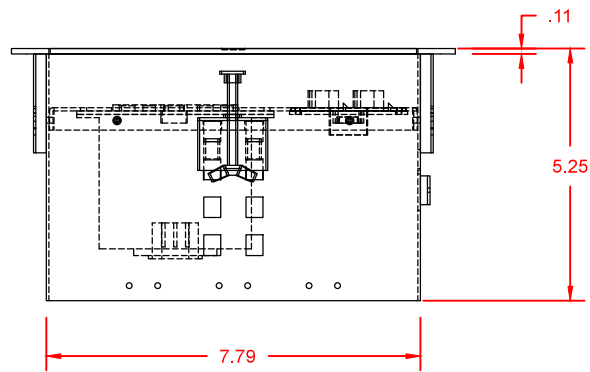
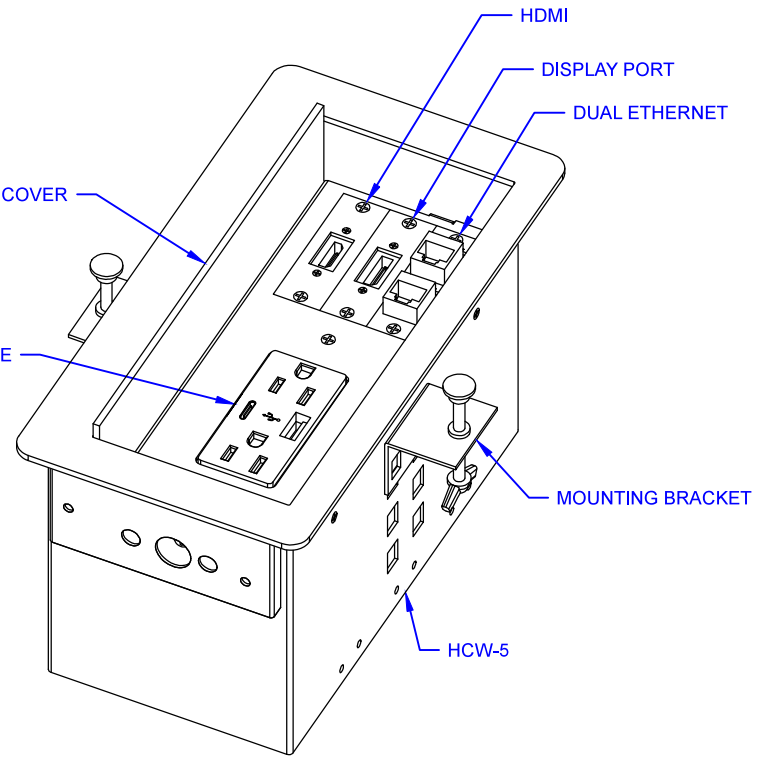
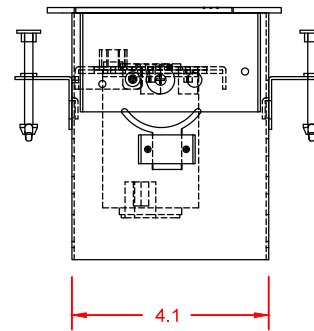



TOP VIEW



FRONT VIEW



SIDE VIEW



**LEW ELECTRIC
FITTINGS COMPANY**
SERVING THE ELECTRICAL INDUSTRY SINCE 1901
371 Randy Rd, Carol Stream, IL 60188
PHONE: 630.665.2075

UNLESS OTHERWISE SPECIFIED:		NAME	DATE
DIMENSIONS ARE IN INCHES		DRAWN	SMK
TOLERANCES:			
FRACTIONAL ±			
ANGULAR: MACH ±			
BEND ±			
TWO PLACE DECIMAL ±			
THREE PLACE DECIMAL ±			
INTERPRET GEOMETRIC TOLERANCING PER:		COMMENTS:	
MATERIAL			
FINISH			
DO NOT SCALE DRAWING			
		TITLE: HCW-5	
SIZE A	DWG. NO. 000001	REV A	
		WEIGHT:	SHEET 1 OF 1