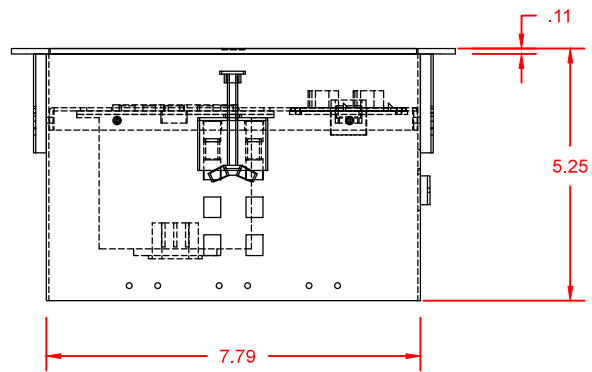
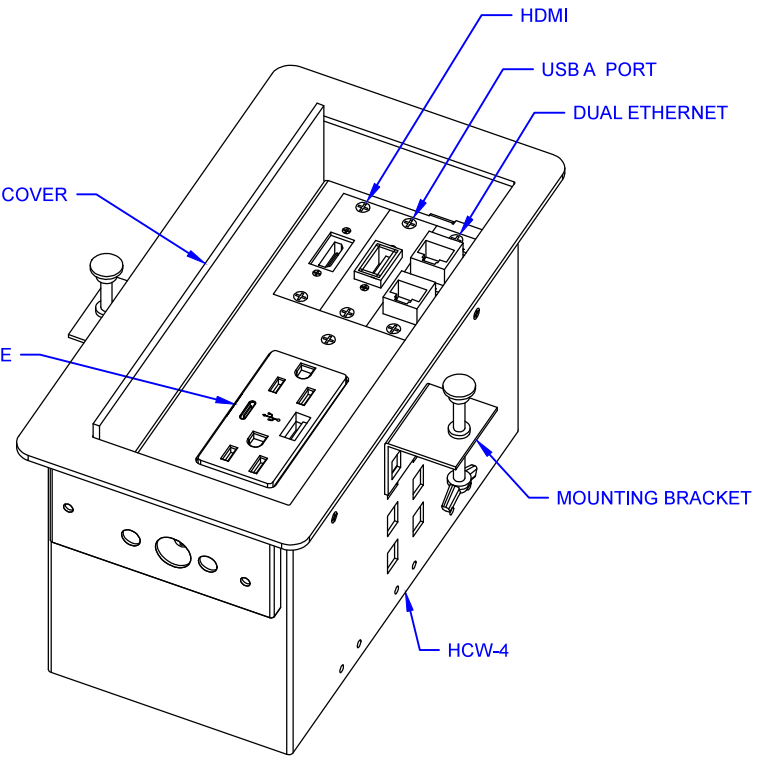
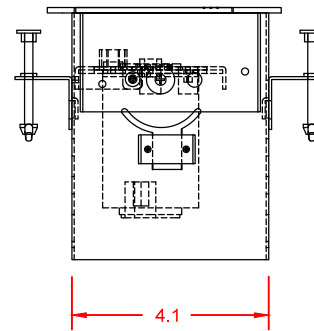



TOP VIEW



FRONT VIEW



SIDE VIEW



**LEW ELECTRIC  
FITTINGS COMPANY**  
SERVING THE ELECTRICAL INDUSTRY SINCE 1901  
371 Randy Rd, Carol Stream, IL 60188  
PHONE: 630.665.2075

UNLESS OTHERWISE SPECIFIED:	NAME	DATE		
DIMENSIONS ARE IN INCHES:	DRAWN	SMK	10/12/2020	
FRACTIONAL ±			<b>TITLE:</b>  <b>HCW-4</b>	
ANGULAR: MACH ±				
TWO PLACE DECIMAL ±				
THREE PLACE DECIMAL ±				
INTERPRET: GEOMETRIC TOLERANCING PER:	COMMENTS:		SIZE	DWG. NO.
MATERIAL			<b>A</b>	<b>000001</b>
FINISH			REV	<b>A</b>
DO NOT SCALE DRAWING			WEIGHT:	SHEET 1 OF 1