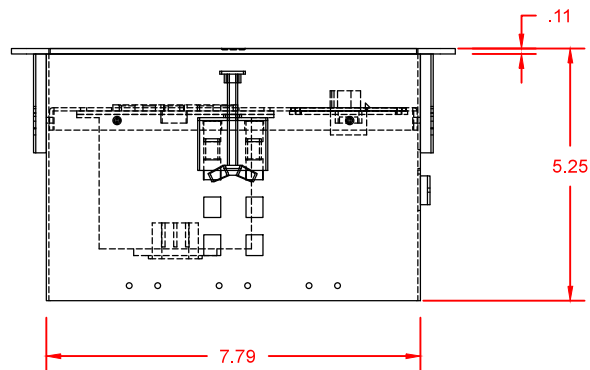
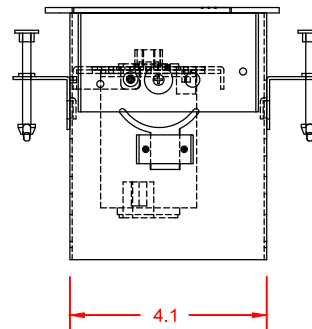


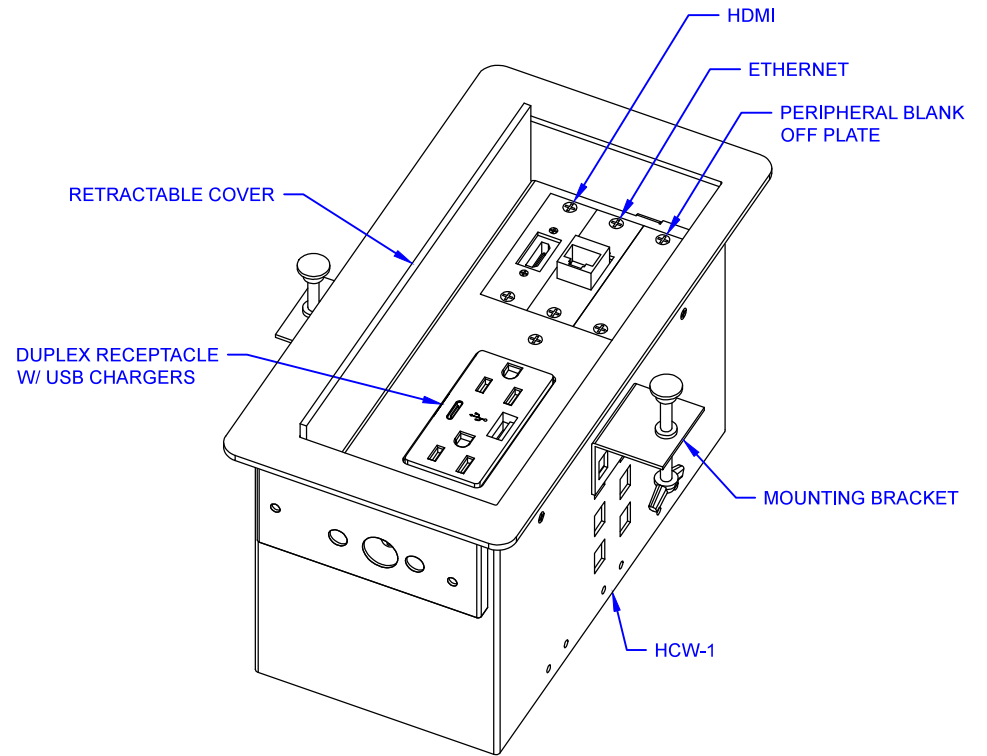
TOP VIEW




FRONT VIEW



SIDE VIEW





**LEW ELECTRIC
FITTINGS COMPANY**
SERVING THE ELECTRICAL INDUSTRY SINCE 1901

371 Randy Rd, Carol Stream, IL 60188
PHONE: 630.665.2075

UNLESS OTHERWISE SPECIFIED:	NAME	DATE		
DIMENSIONS ARE IN INCHES:	DRAWN	SMK	10/12/2020	
FRACTIONAL ±				
TOLERANCES:				
ANGULAR: MACH ±				
BEND ±				
TWO PLACE DECIMAL ±				
THREE PLACE DECIMAL ±				
INTERPRET GEOMETRIC TOLERANCING PER:				
MATERIAL	COMMENTS:			
FINISH				
DO NOT SCALE DRAWING			TITLE:	HCW-1
SIZE	DWG. NO.	REV		
A	000001	A	WEIGHT:	SHEET 1 OF 1