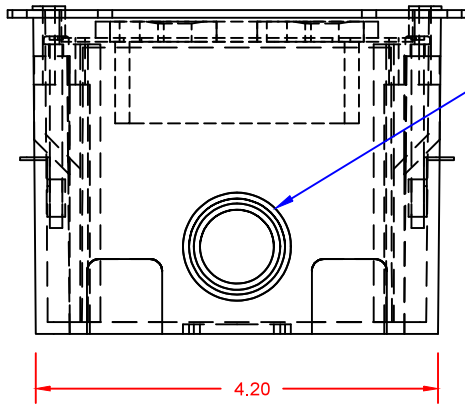
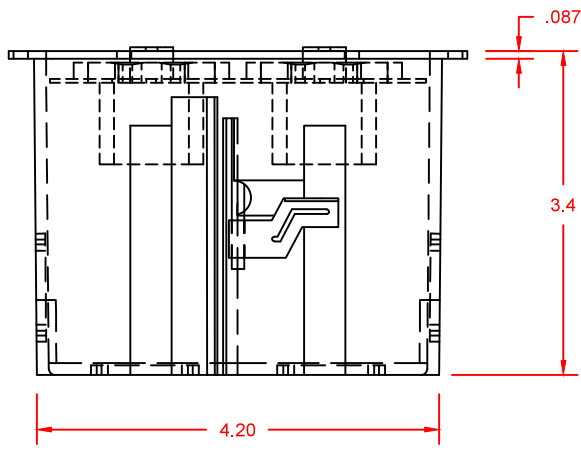
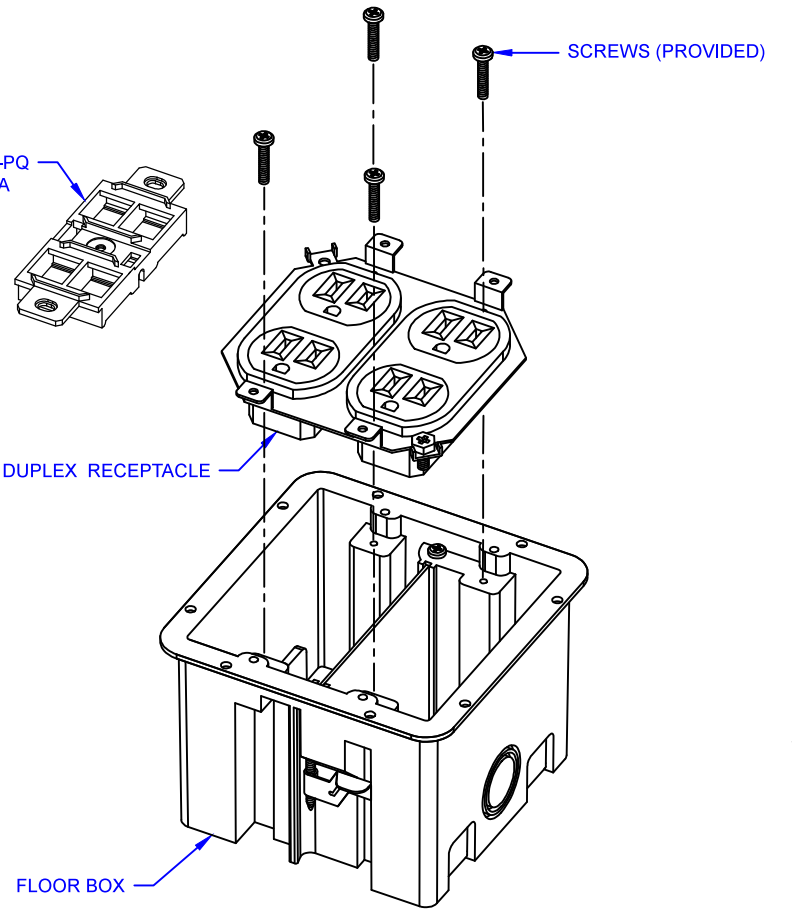



OPTIONAL RRP2-PQ
QUAD PORT DATA
DEVICE





LEW ELECTRIC FITTINGS COMPANY

SERVING THE ELECTRICAL INDUSTRY SINCE 1901

371 Randy Rd, Carol Stream, IL 60188
PHONE: 630.665.2075

UNLESS OTHERWISE SPECIFIED:		NAME	DATE	TITLE: 1102-PB
DIMENSIONS ARE IN INCHES		DRAWN	SMK	
TOLERANCES:				
FRACTIONAL ±				
ANGULAR: MACH ± BEND ±				
TWO PLACE DECIMAL ±				
THREE PLACE DECIMAL ±				
INTERPRET GEOMETRIC TOLERANCING PER:		COMMENTS:		
MATERIAL				
FINISH				
DO NOT SCALE DRAWING		SIZE A	DWG. NO. 000001	REV A
			WEIGHT:	SHEET 1 OF 1