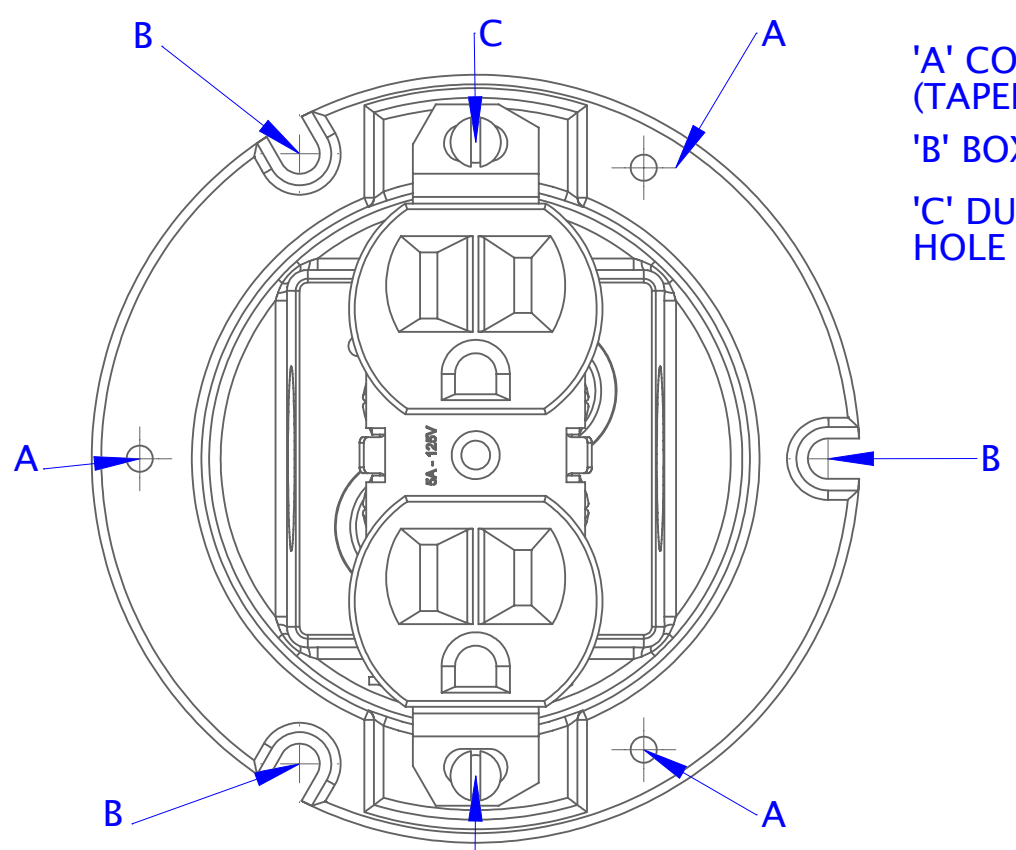
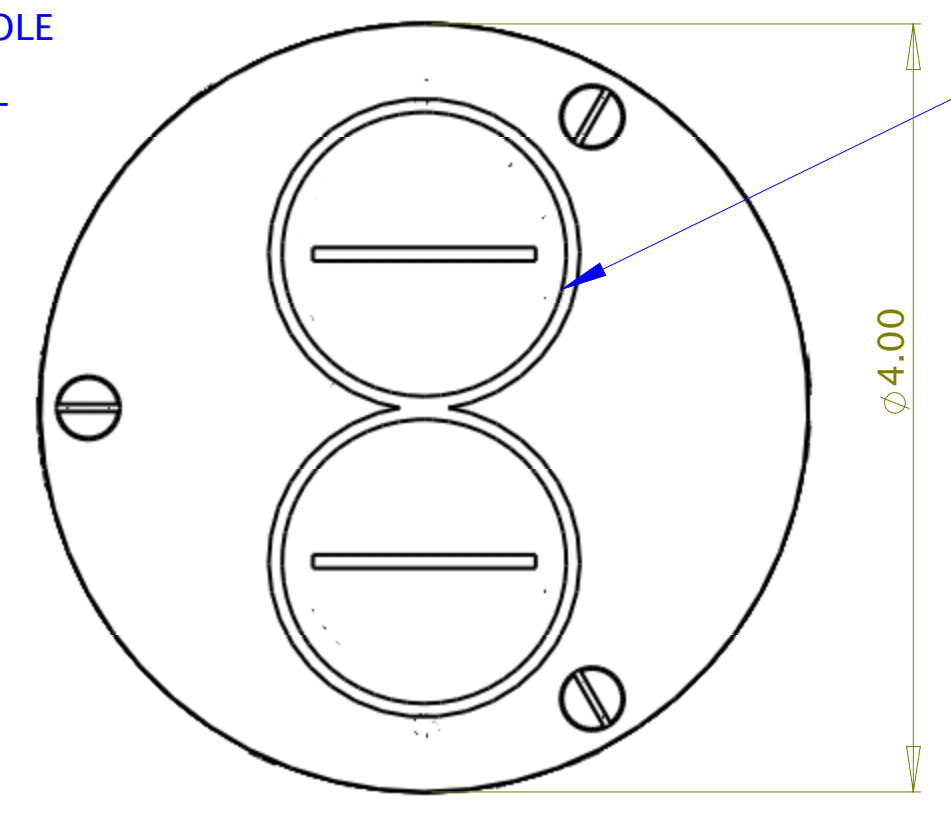


DESCRIPTION:
 CAST IRON FLOOR BOX FURNISHED WITH 523-
 DP BRASS COVER & 15 AMP RECEPTACLE

'A' COVERMOUNTING HOLE
 (TAPED 8/32)
 'B' BOX MOUNTING SLOT
 'C' DUPLEX MOUNTING
 HOLE (TAPED 6/32)

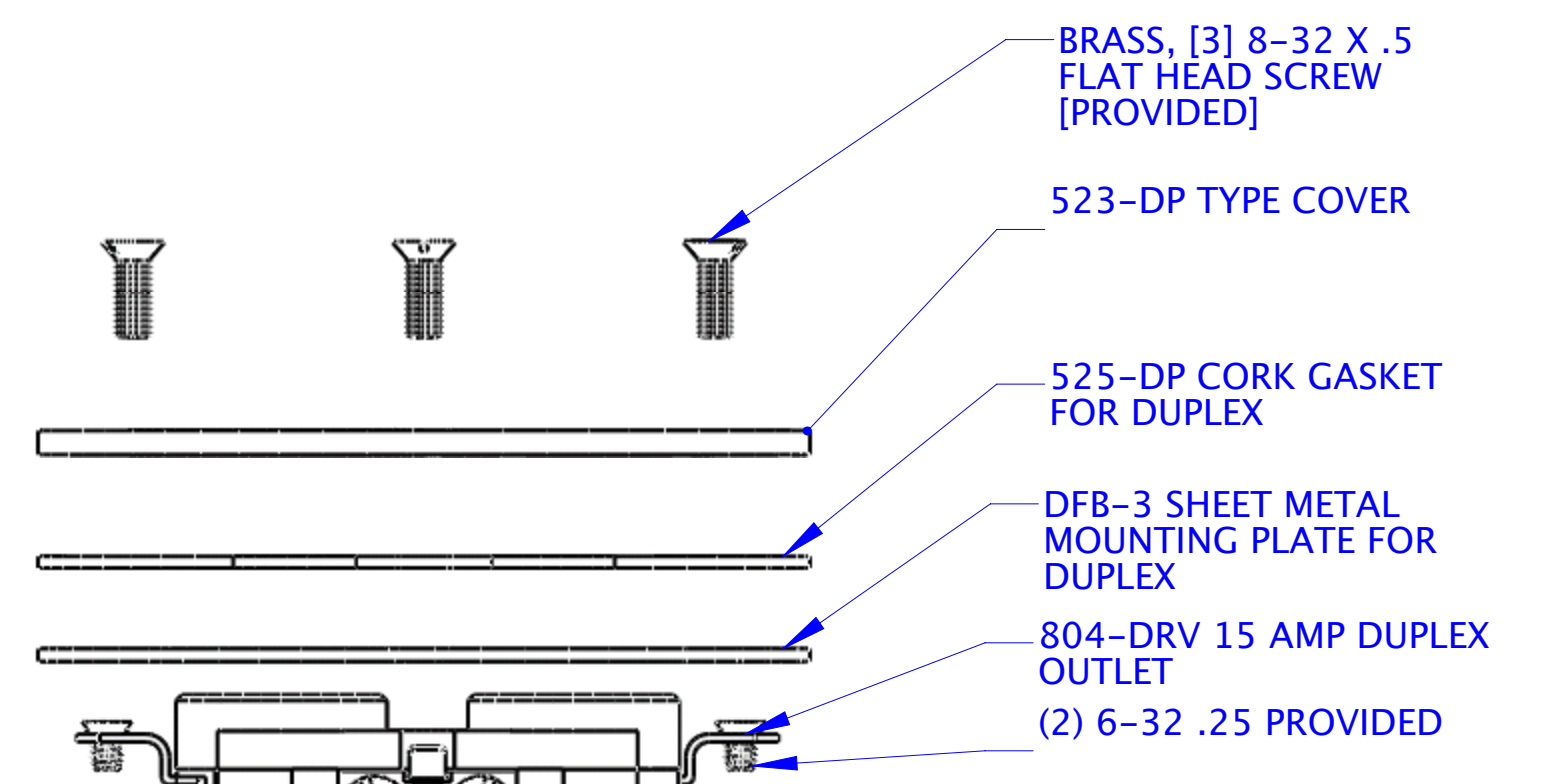


812 BOX W/O COVER



1 1/2" SCREW PLUG

TOP



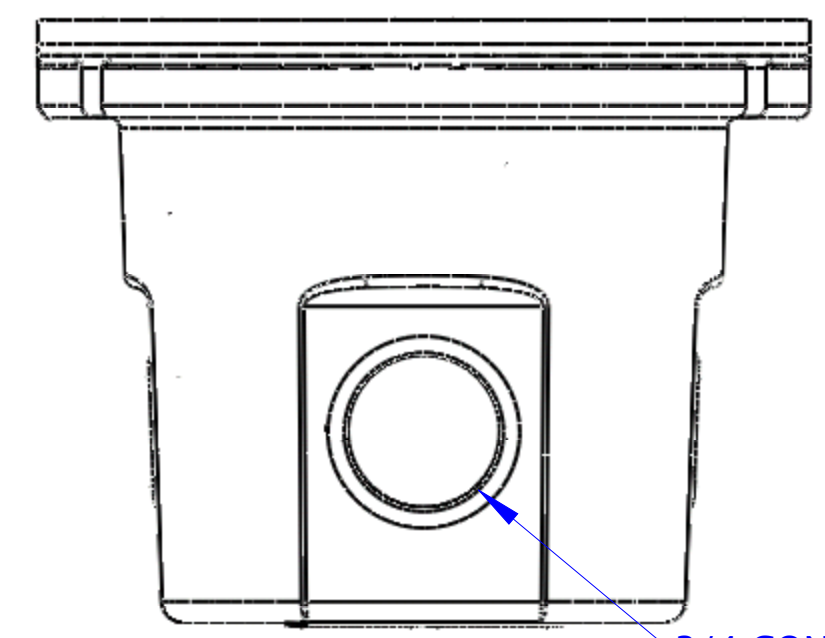
BRASS, [3] 8-32 X .5
 FLAT HEAD SCREW
 [PROVIDED]

523-DP TYPE COVER

525-DP CORK GASKET
 FOR DUPLEX

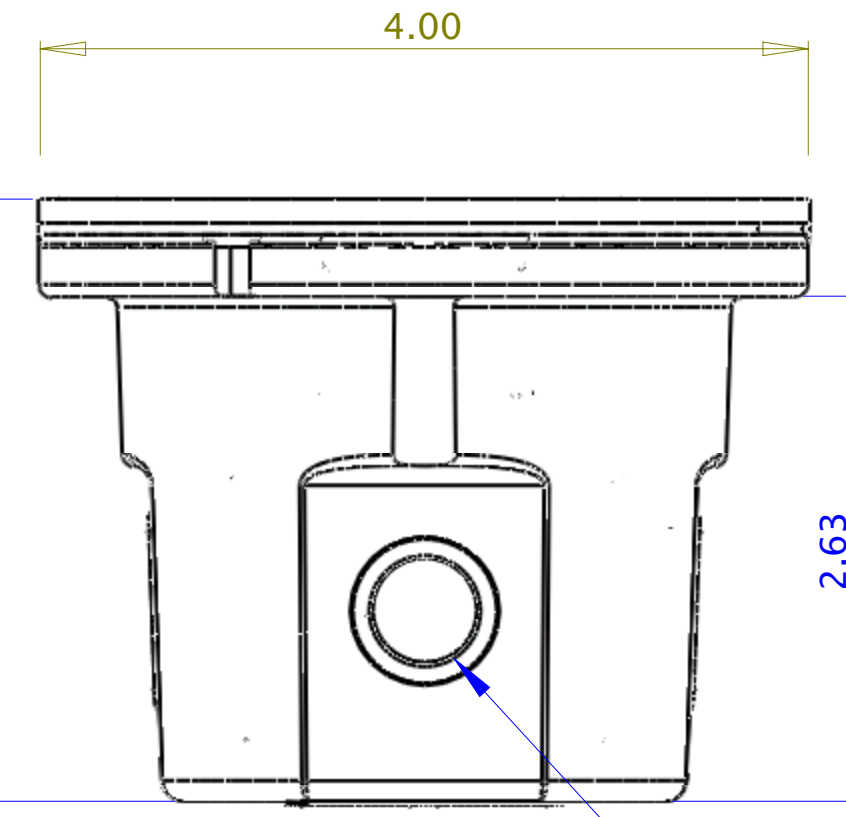
DFB-3 SHEET METAL
 MOUNTING PLATE FOR
 DUPLEX

804-DRV 15 AMP DUPLEX
 OUTLET
 (2) 6-32 .25 PROVIDED



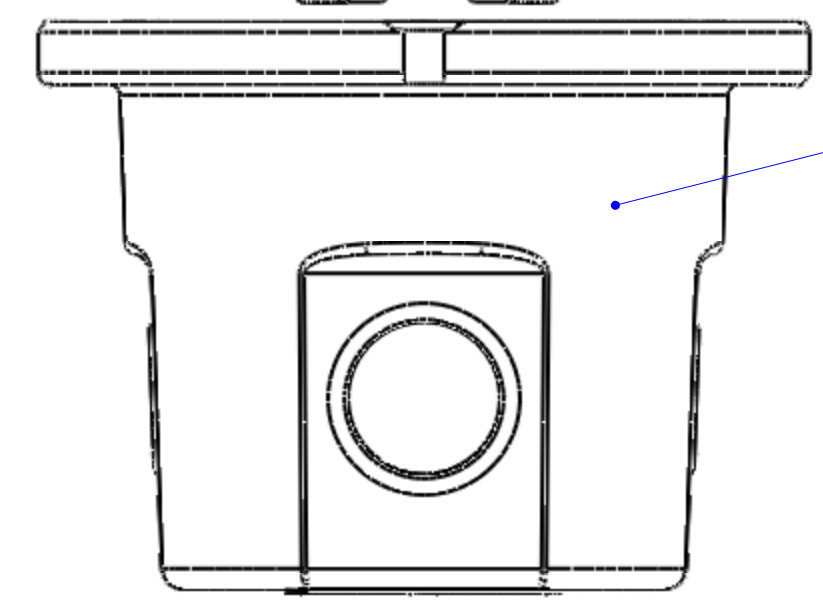
LEFT

3/4 CONDUIT OPENING
 [3/4 NPT WITH CAP]



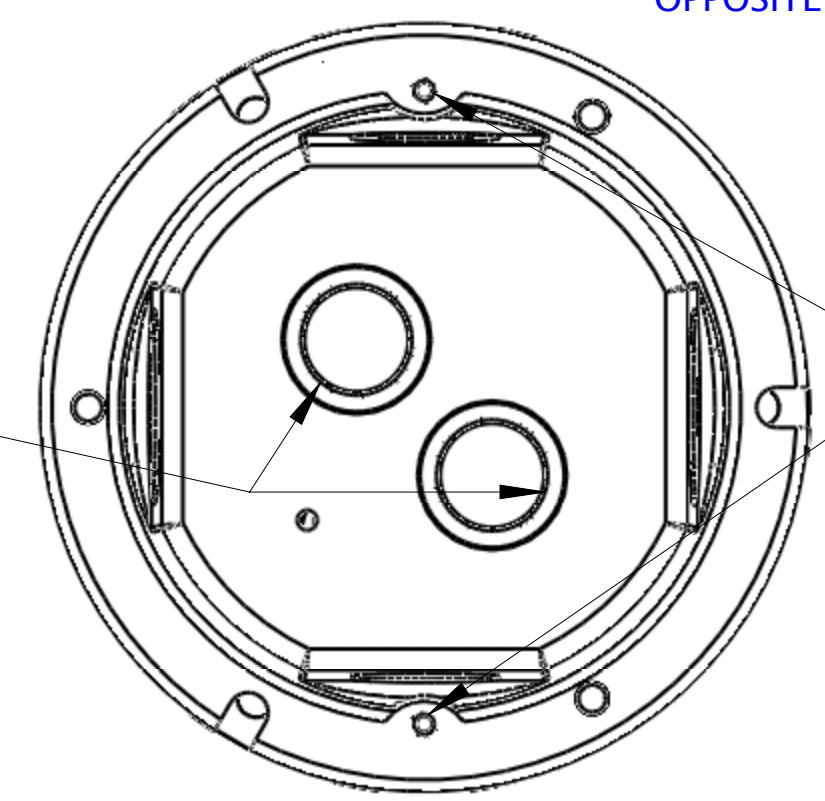
FRONT

1/2 CONDUIT OPENING
 [1/2 NPT WITH CAP]
 OPPOSITE SIDE SAME



RIGHT [EXPLODED]

812 FLOOR BOX



BOTTOM

1/2 CONDUIT OPENING
 [1/2 NPT WITH CAP]

RECEPTACLE MOUNTING HOLES

LEW ELECTRIC
FITTINGS COMPANY
 SERVING THE ELECTRICAL INDUSTRY SINCE 1901
 371 Randy Road, Carol Stream, IL 60188
 PHONE: (630) 665-2075

| | | | |
|---|-----------|-----------|--|
| UNLESS OTHERWISE SPECIFIED: | NAME | DATE | TITLE: 812-DFB |
| DIMENSIONS ARE IN INCHES | DRAWN | 9/10/2007 | |
| TOLERANCES: FRACTIONAL ± ANGULAR: MACH ± BEND ± TWO PLACE DECIMAL ± THREE PLACE DECIMAL ± | P.J.G. | | SIZE DWG. NO. REV C 1001080 A |
| INTERPRET GEOMETRIC TOLERANCING PER: MATERIAL | COMMENTS: | | |
| FINISH | | | WEIGHT: SHEET 4 OF 10 |
| DO NOT SCALE DRAWING | | | |