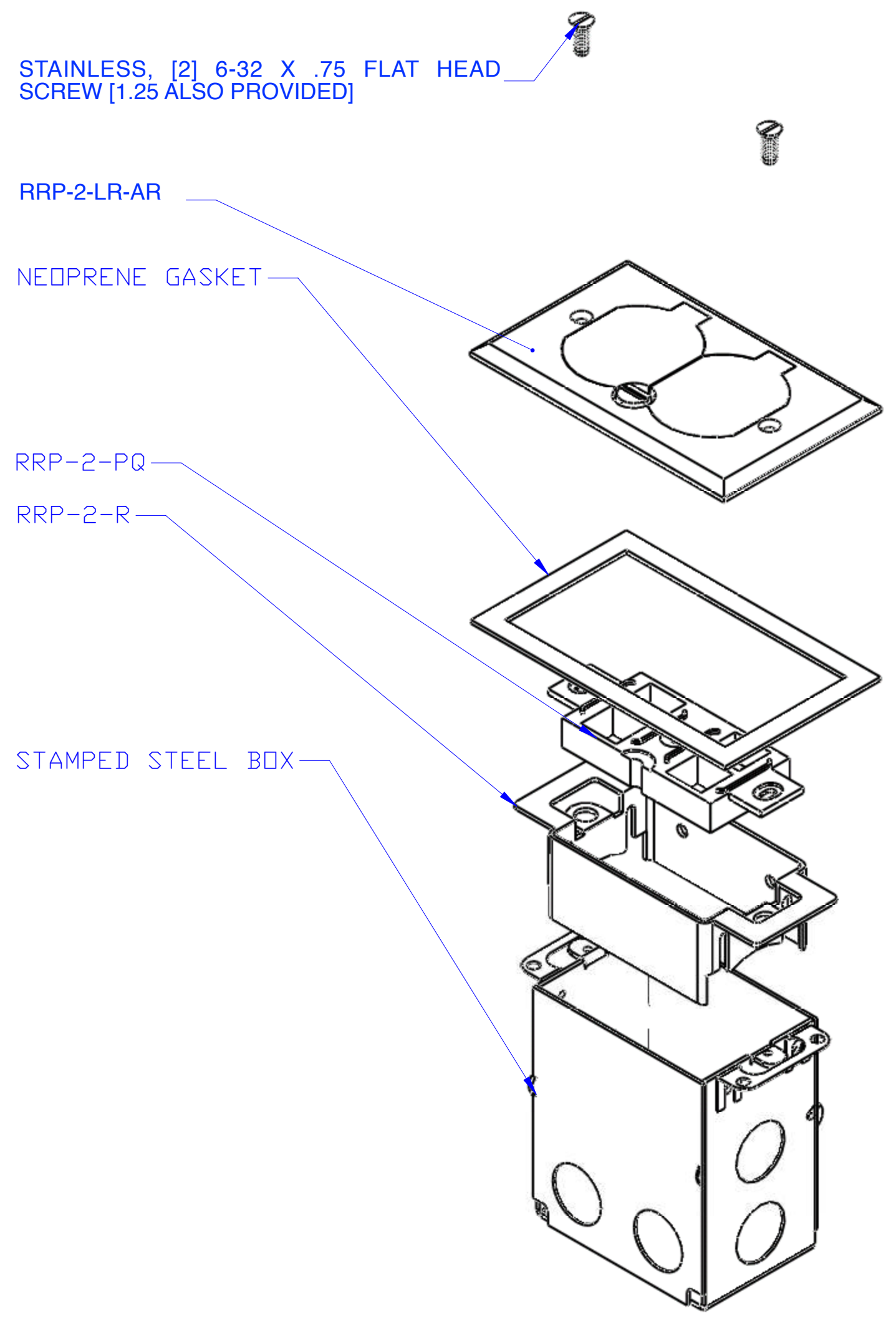
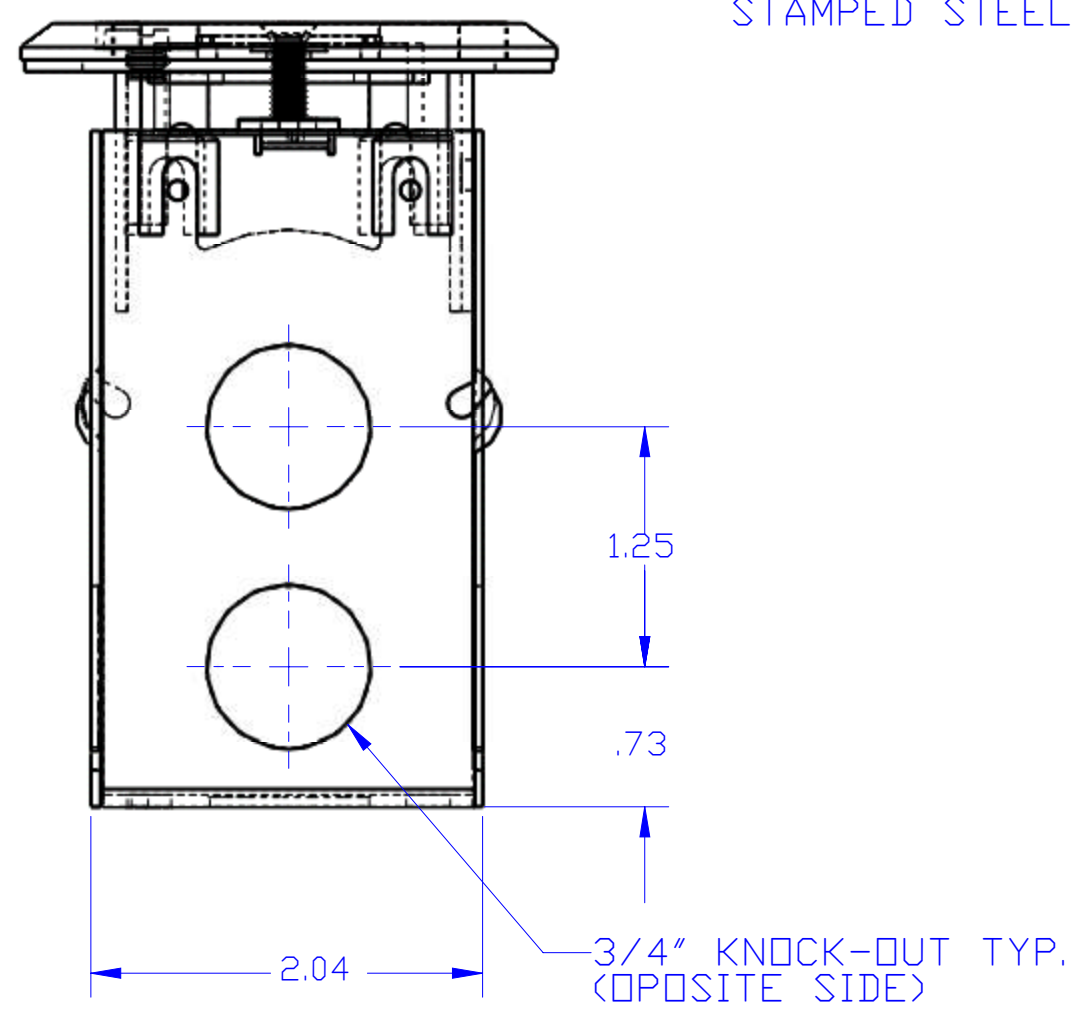
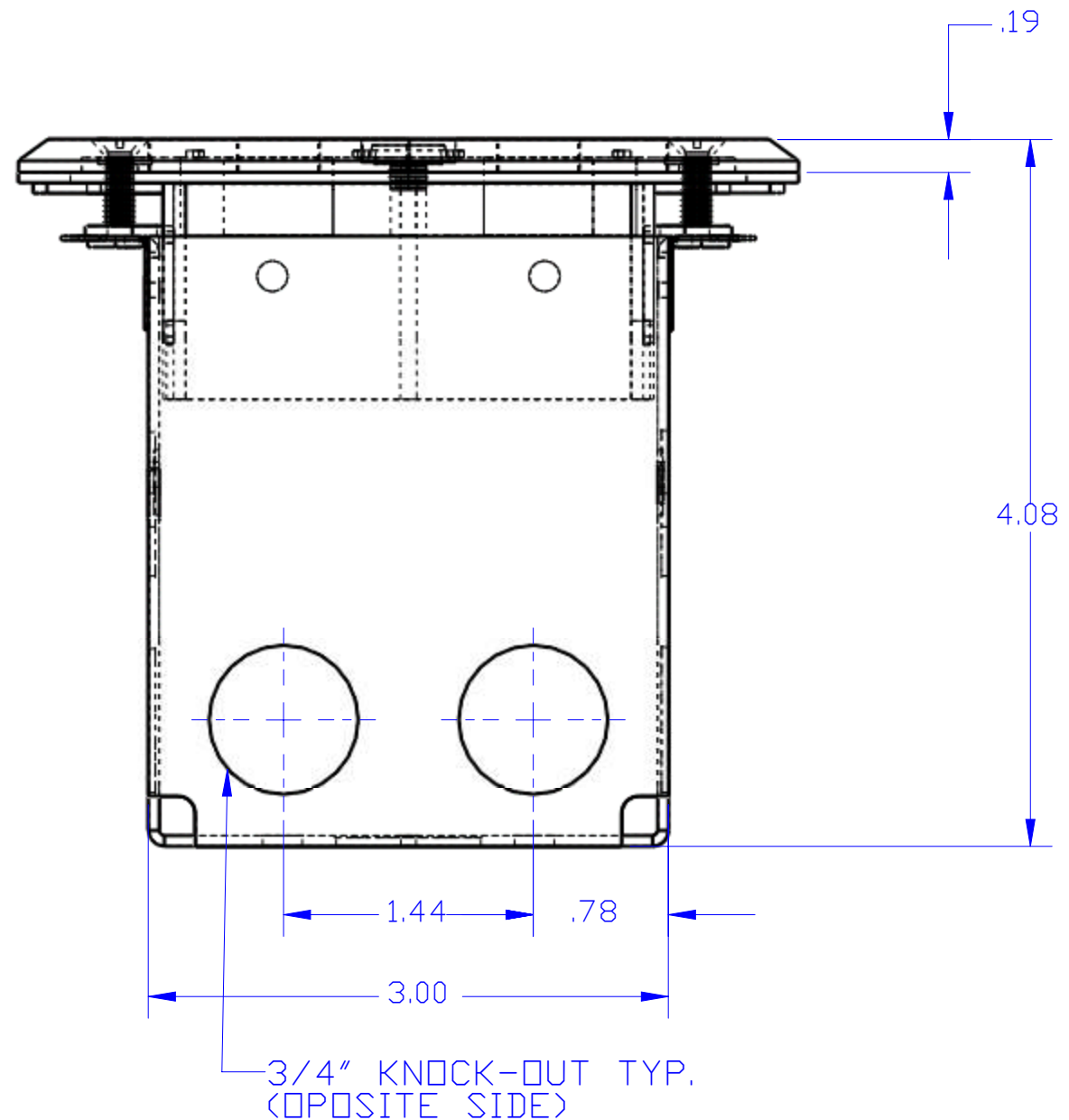
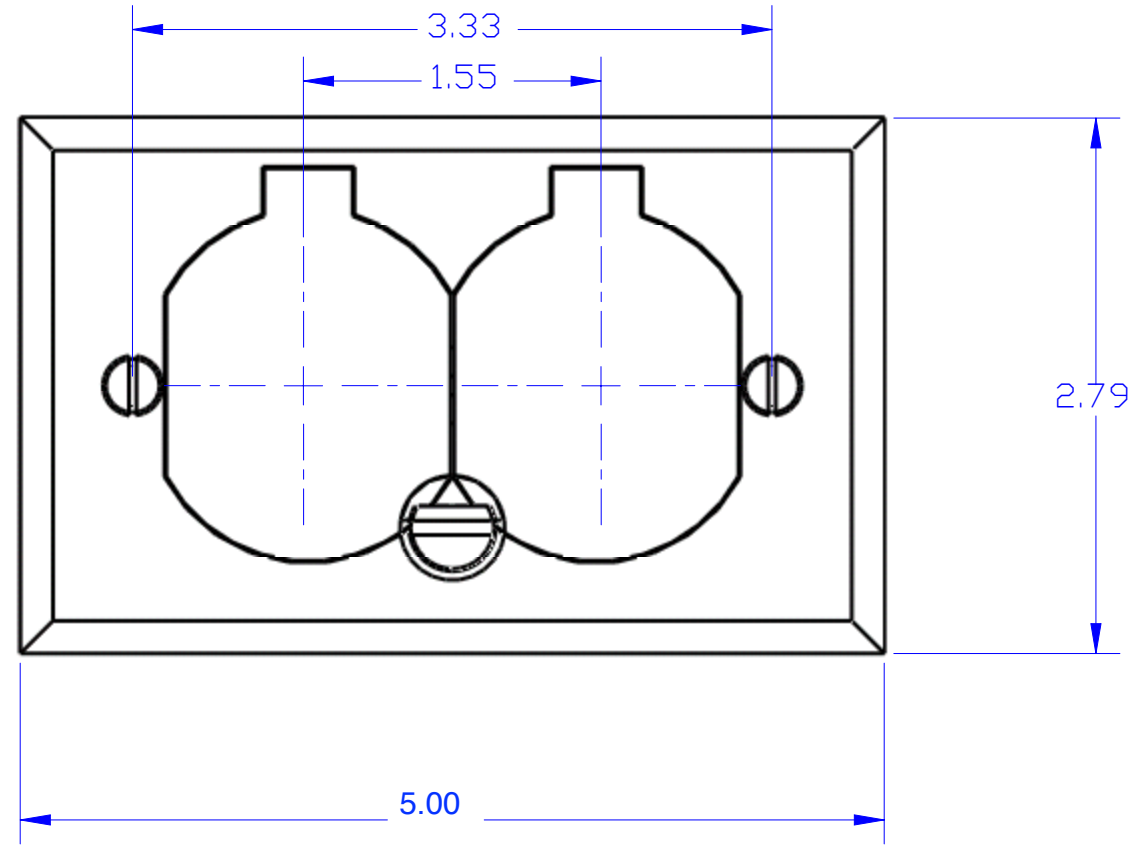


DESCRIPTION:
 ALUMINUM, RECESSED FLOOR PLATE FLIP LID
 ASSEMBLY (COMM./DATA WITH BOX); RRP-2-PQ
 INCLUDED



LEW ELECTRIC
FITTINGS COMPANY
 SERVING THE ELECTRICAL INDUSTRY SINCE 1901
 371 Randy Rd Carol Stream Il
 PHONE: 630-665-2075

UNLESS OTHERWISE SPECIFIED:	NAME	DATE	TITLE: SWB-2-LR-A-T
DIMENSIONS ARE IN INCHES	DRAWN	12/1/2007	
TOLERANCES:			SIZE DWG. NO. REV C
FRACTIONAL ±			
ANGULAR: MACH ± BEND ± TWO PLACE DECIMAL ± THREE PLACE DECIMAL ±			
INTERPRET GEOMETRIC TOLERANCING PER:	COMMENTS:		WEIGHT: SHEET 12 OF 12
MATERIAL			
FINISH			
DO NOT SCALE DRAWING			