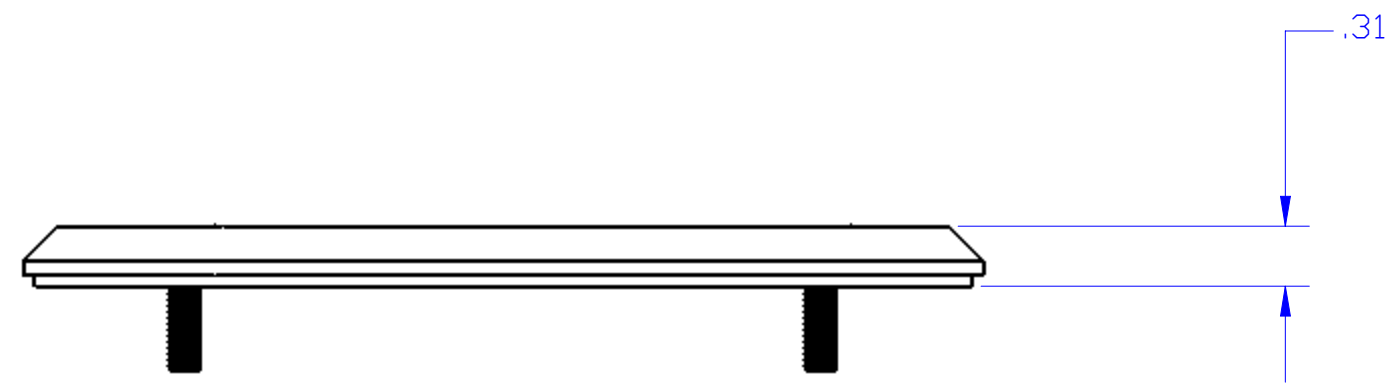
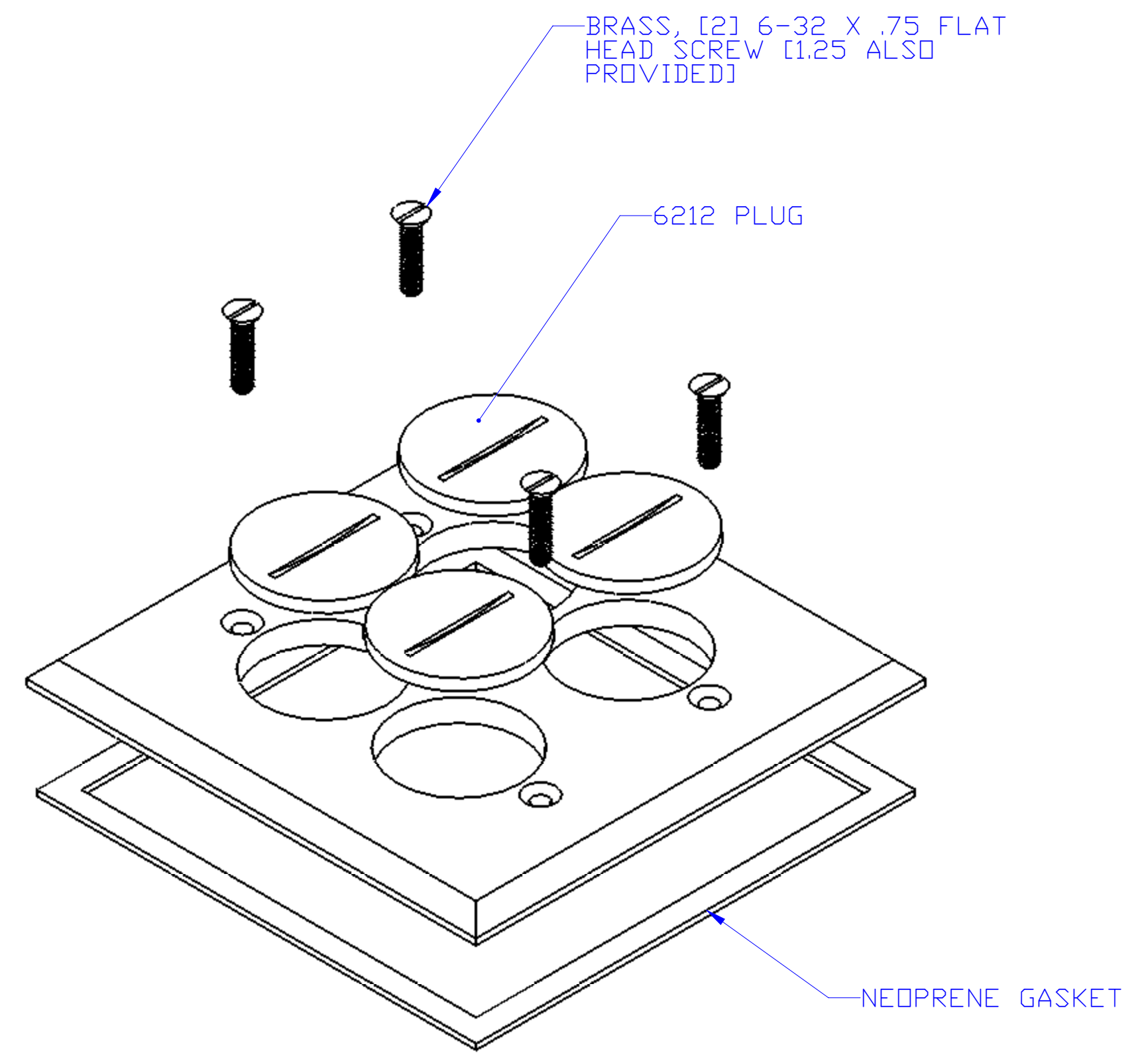
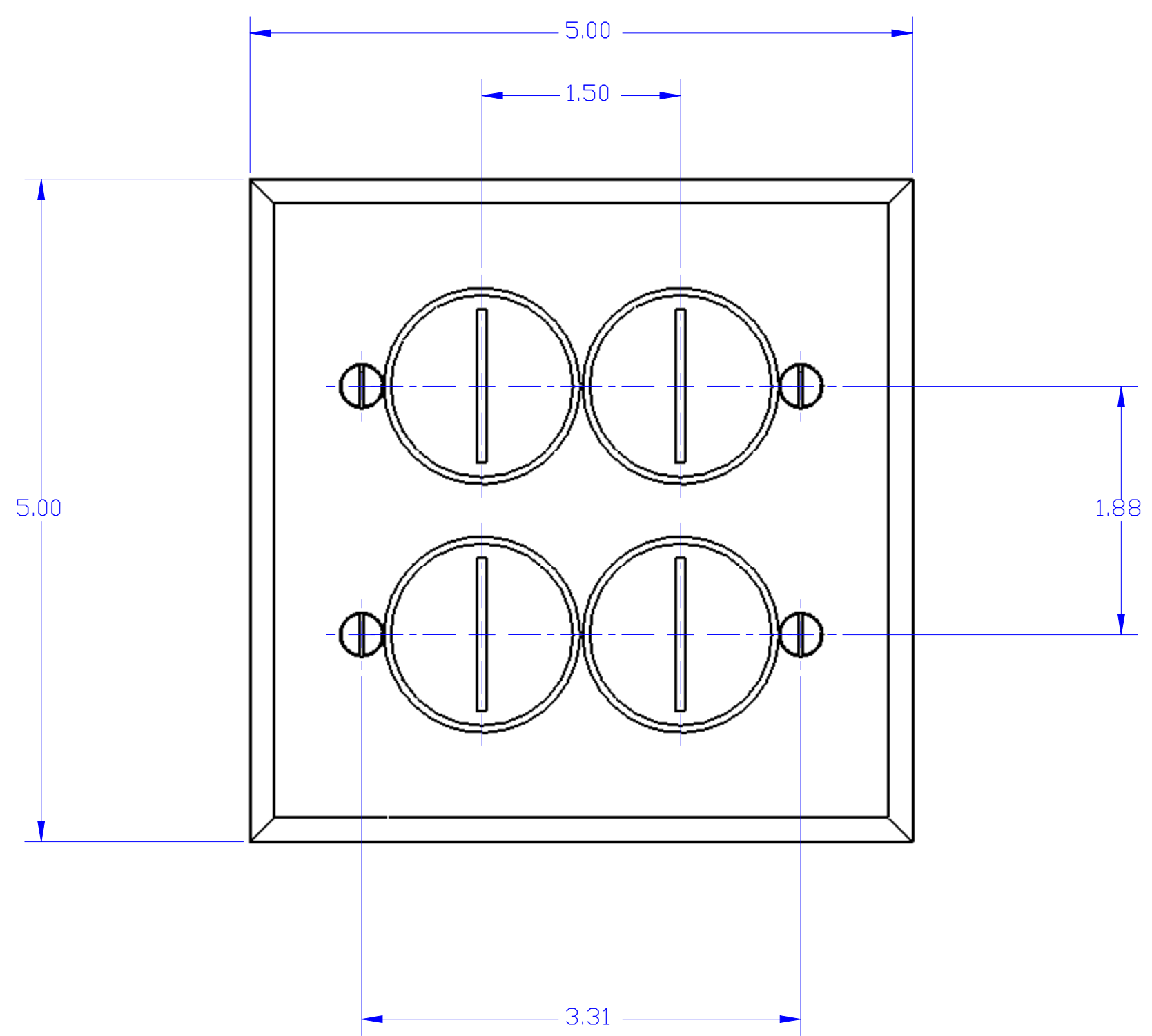
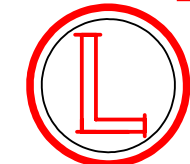


DESCRIPTION:
BRASS REPLACEMENT COVER FOR SWB-4
SERIES (SCREW PLUG)





**LEW ELECTRIC
FITTINGS COMPANY**
SERVING THE ELCTRICAL INDUSTRY SINCE 1901
1801 W. St. Charles Rd. Maywood, IL 60153
PHONE: 708-345-2075

UNLESS OTHERWISE SPECIFIED:	NAME	DATE	
DIMENSIONS ARE IN INCHES TOLERANCES: FRACTIONAL ± ANGULAR: MACH ± BEND ± TWO PLACE DECIMAL ± THREE PLACE DECIMAL ±	DRAWN	PJG	2/10/2008
INTERPRET GEOMETRIC TOLERANCING PER: MATERIAL	COMMENTS:		
FINISH			
DO NOT SCALE DRAWING	TITLE: RRP-4-BP		REV A
	SIZE C	DWG. NO.	WEIGHT:
			SHEET 9 OF 16