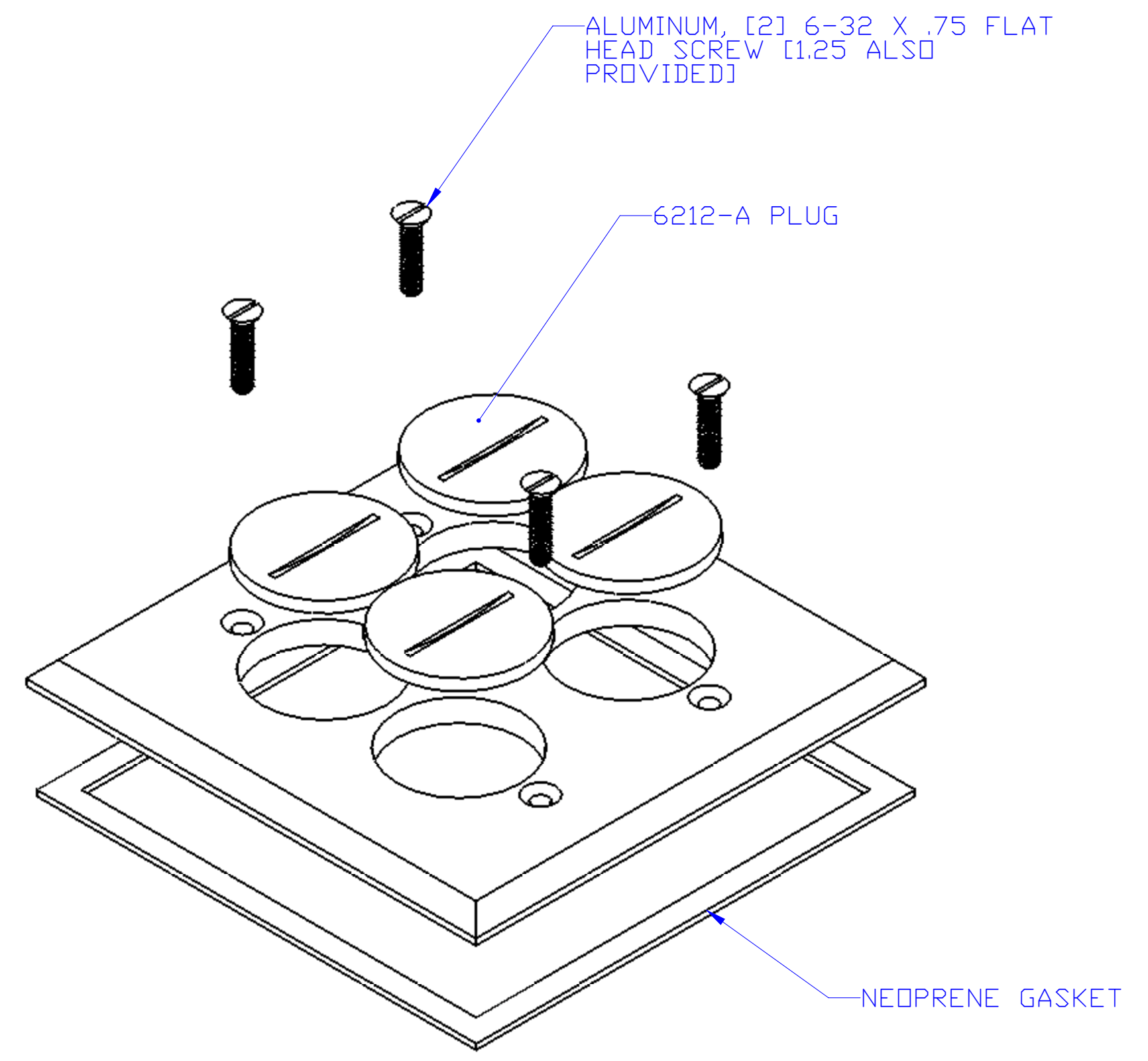
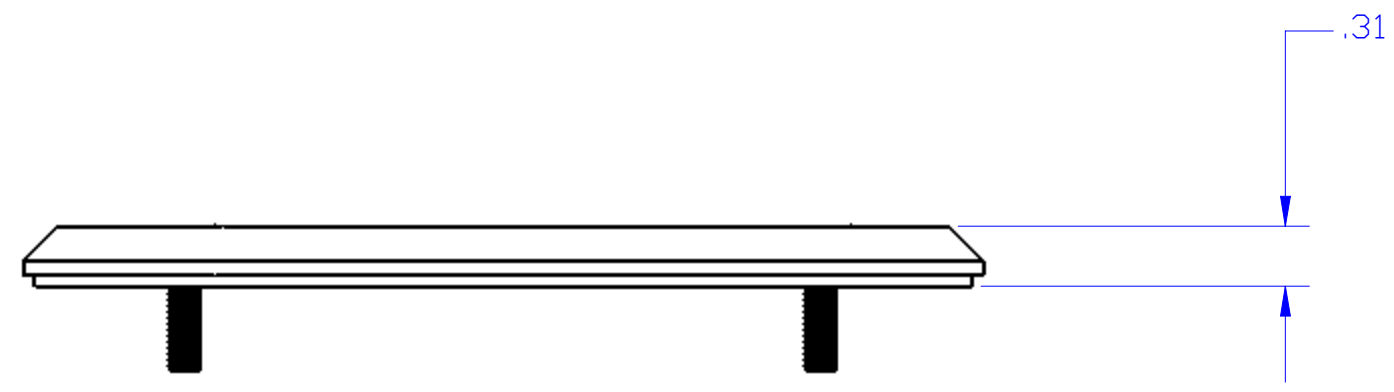
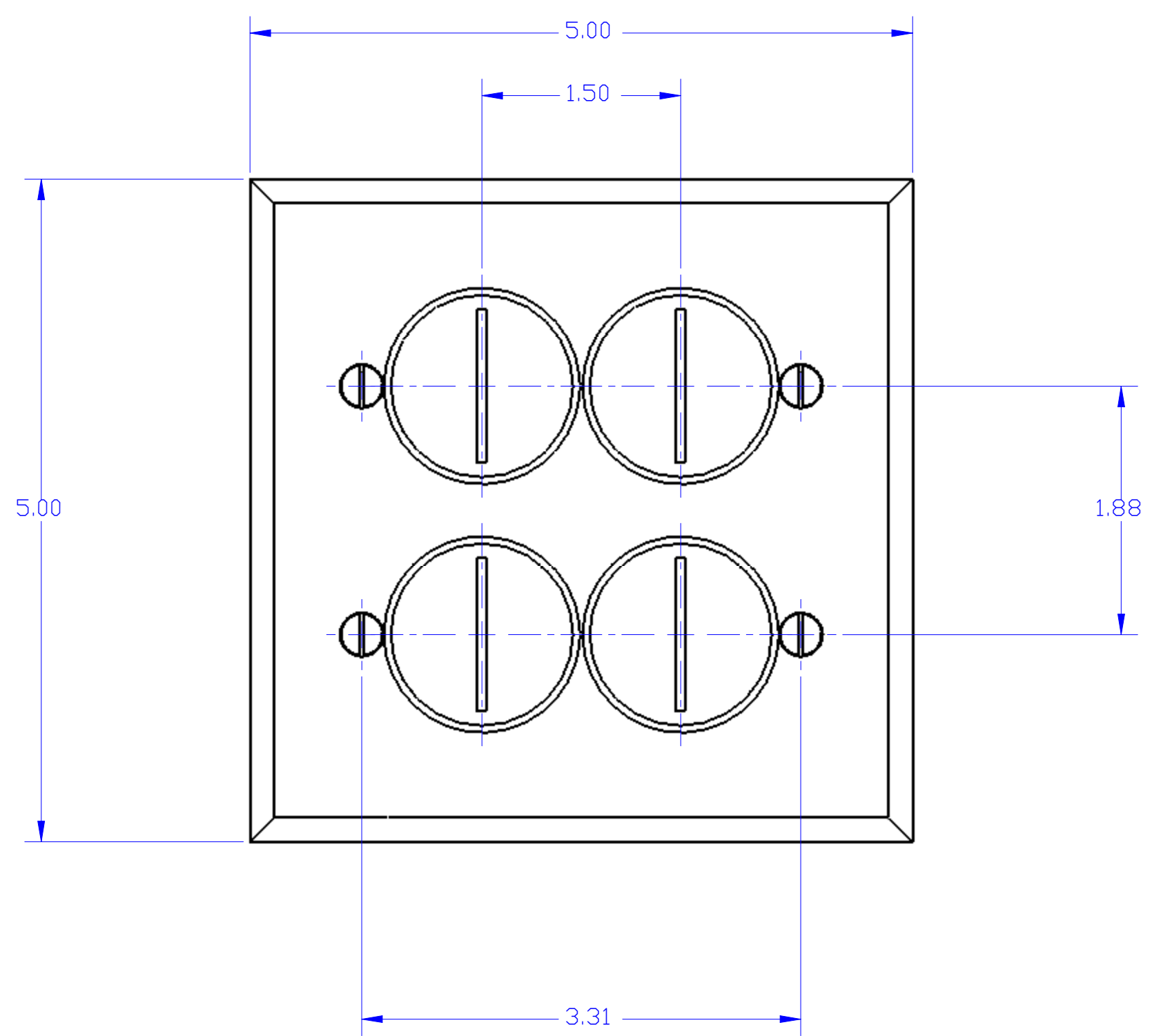
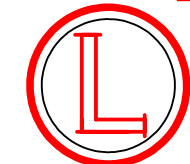


DESCRIPTION:  
ALUMINUM REPLACEMENT COVER FOR SWB-4  
SERIES (SCREW PLUG)





**LEW ELECTRIC  
FITTINGS COMPANY**  
SERVING THE ELCTRICAL INDUSTRY SINCE 1901  
1801 W. St. Charles Rd. Maywood, IL 60153  
PHONE: 708-345-2075

UNLESS OTHERWISE SPECIFIED: DIMENSIONS ARE IN INCHES TOLERANCES: FRACTIONAL ± ANGULAR: MACH ± BEND ± TWO PLACE DECIMAL ± THREE PLACE DECIMAL ± INTERPRET GEOMETRIC TOLERANCING PER: MATERIAL FINISH DO NOT SCALE DRAWING	DRAWN P.J.G.	NAME P.J.G.	DATE 2/10/2008		TITLE: <b>RRP-4-AP</b>
					SIZE DWG. NO. REV <b>C</b> <b>A</b>
					WEIGHT: SHEET 10 OF 16