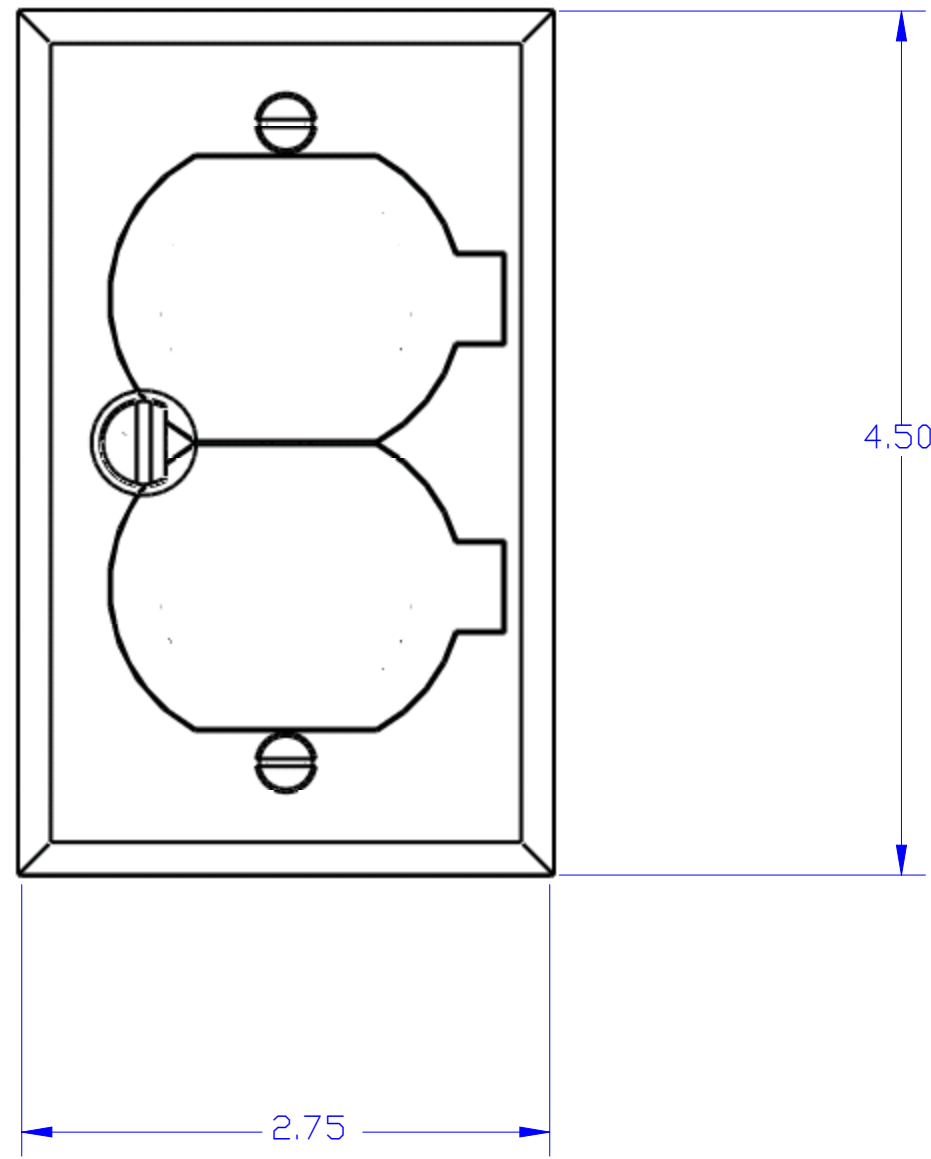


DESCRIPTION:  
BRASS, RECESSED FLOOR PLATE FLIP LID  
ASSEMBLY (DUPLEX RECEPTACLE)

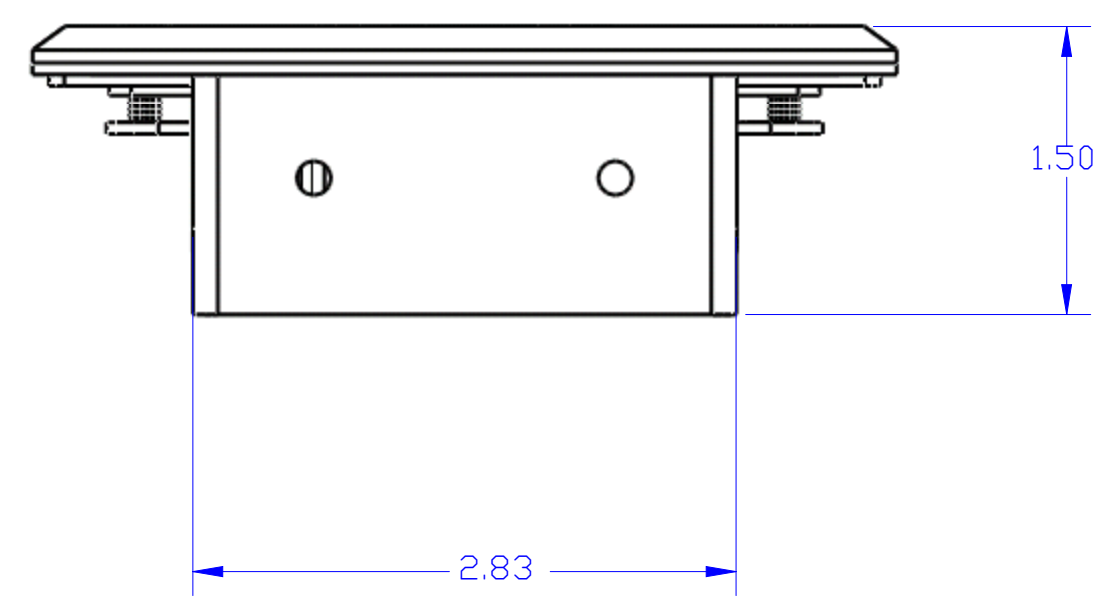
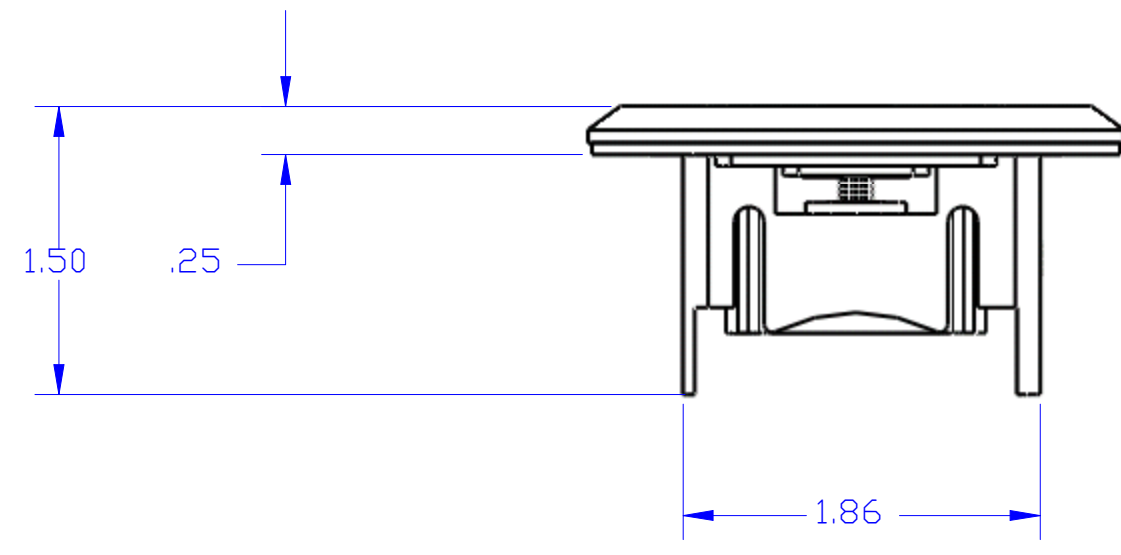
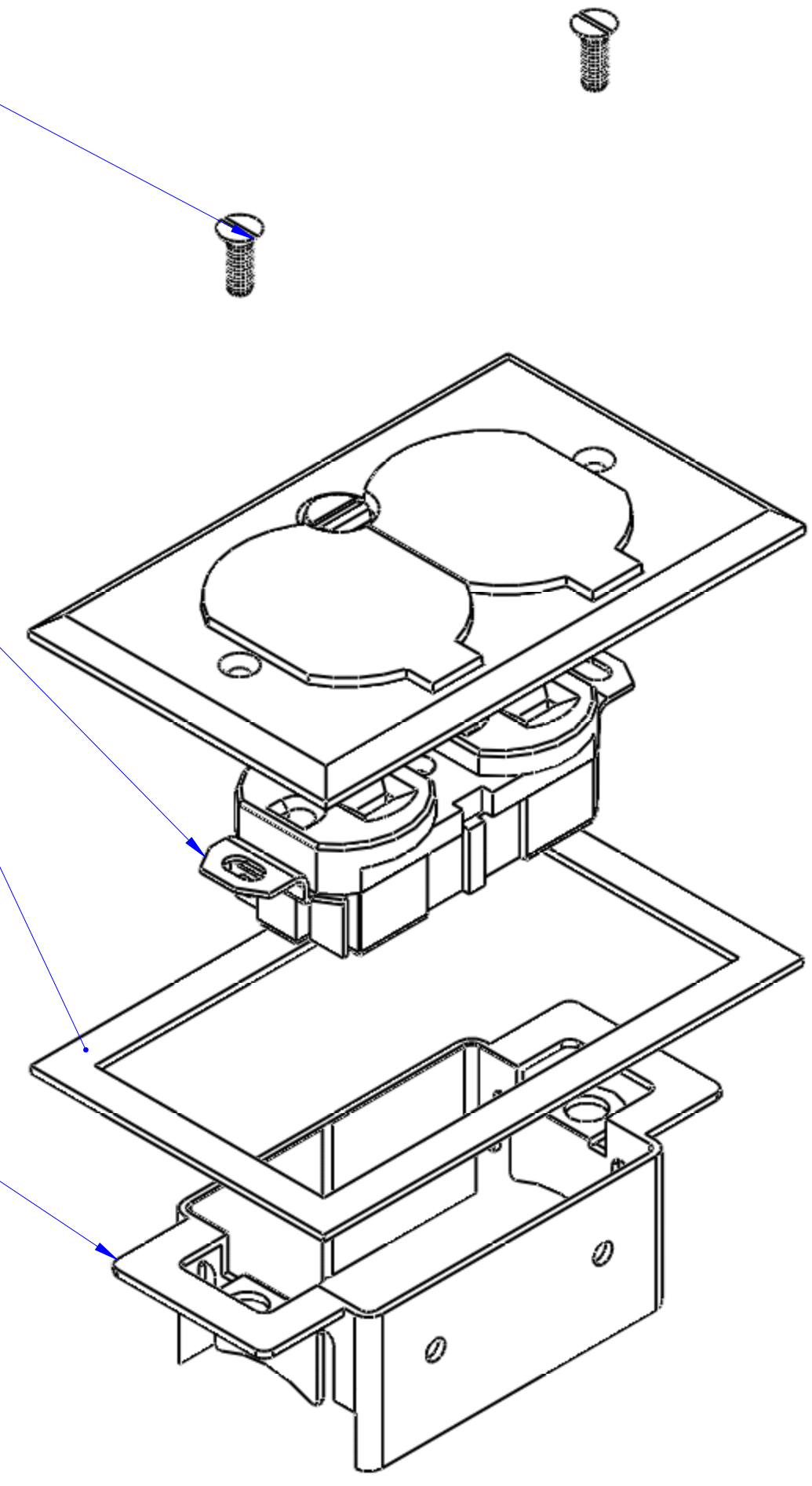


BRASS, [2] 6-32 X  
.75 FLAT HEAD SCREW  
[1.25 ALSO PROVIDED]

804 DRU

NEOPRENE GASKET

RRP-2-R



**LEW ELECTRIC**  
**FITTINGS COMPANY**  
SERVING THE ELECTRICAL INDUSTRY SINCE 1901  
1801 W. St. Charles Rd. Maywood, IL 60153  
PHONE: 708-345-2075

UNLESS OTHERWISE SPECIFIED:	NAME	DATE	TITLE: <b>RRP-2-LR</b>
DIMENSIONS ARE IN INCHES	DRAWN	11/30/2007	
TOLERANCES:			SIZE DWG. NO. REV <b>C</b> 1001110 <b>A</b>
FRACTIONAL ±			
ANGULAR: MATCH ± BEND ±			
TWO PLACE DECIMAL ±			
THREE PLACE DECIMAL ±			WEIGHT:
INTERPRET GEOMETRIC TOLERANCING PER:	COMMENTS:		SHEET 9 OF 12
MATERIAL			
FINISH			
DO NOT SCALE DRAWING			