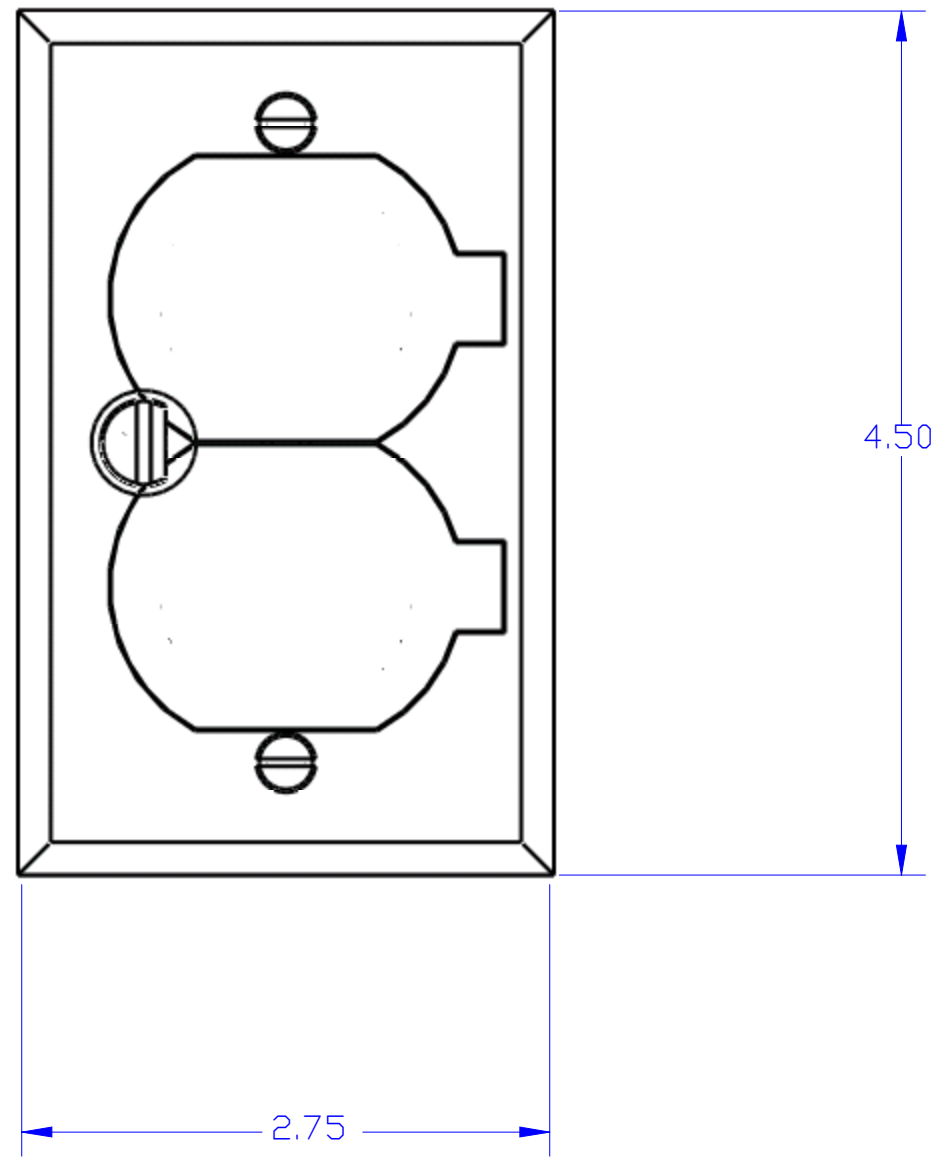


DESCRIPTION:
 ALUMINUM, RECESSED FLOOR PLATE FLIP LID
 ASSEMBLY (DUPLX RECEPTACLE)

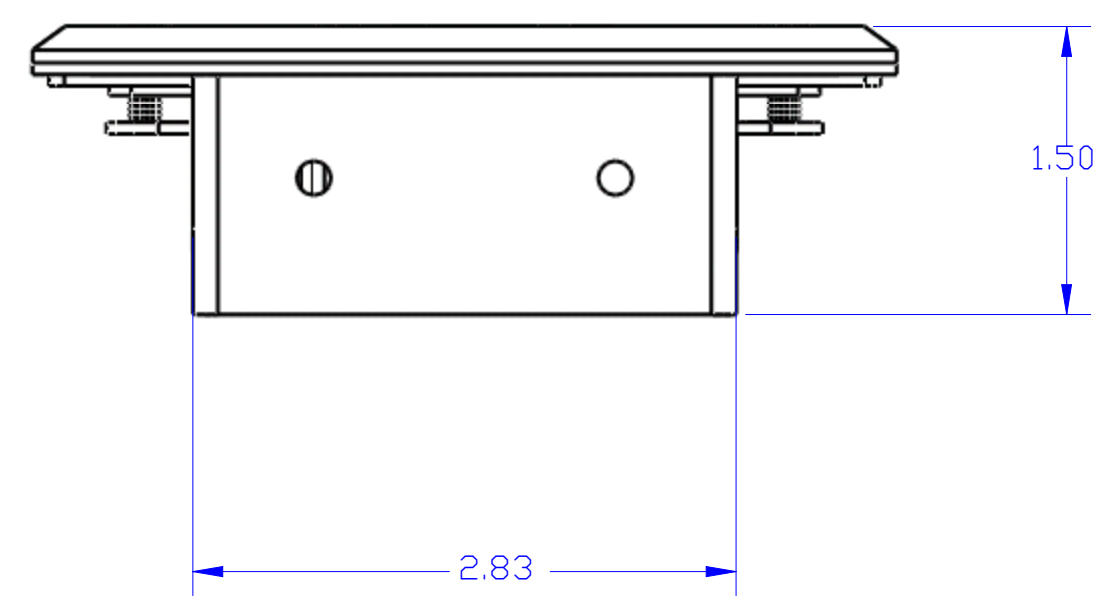
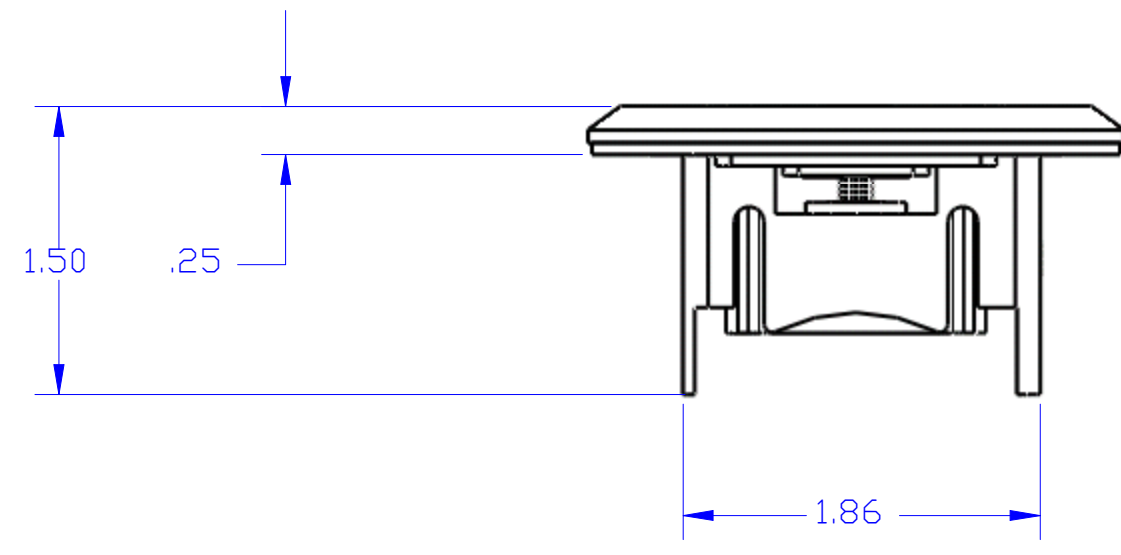
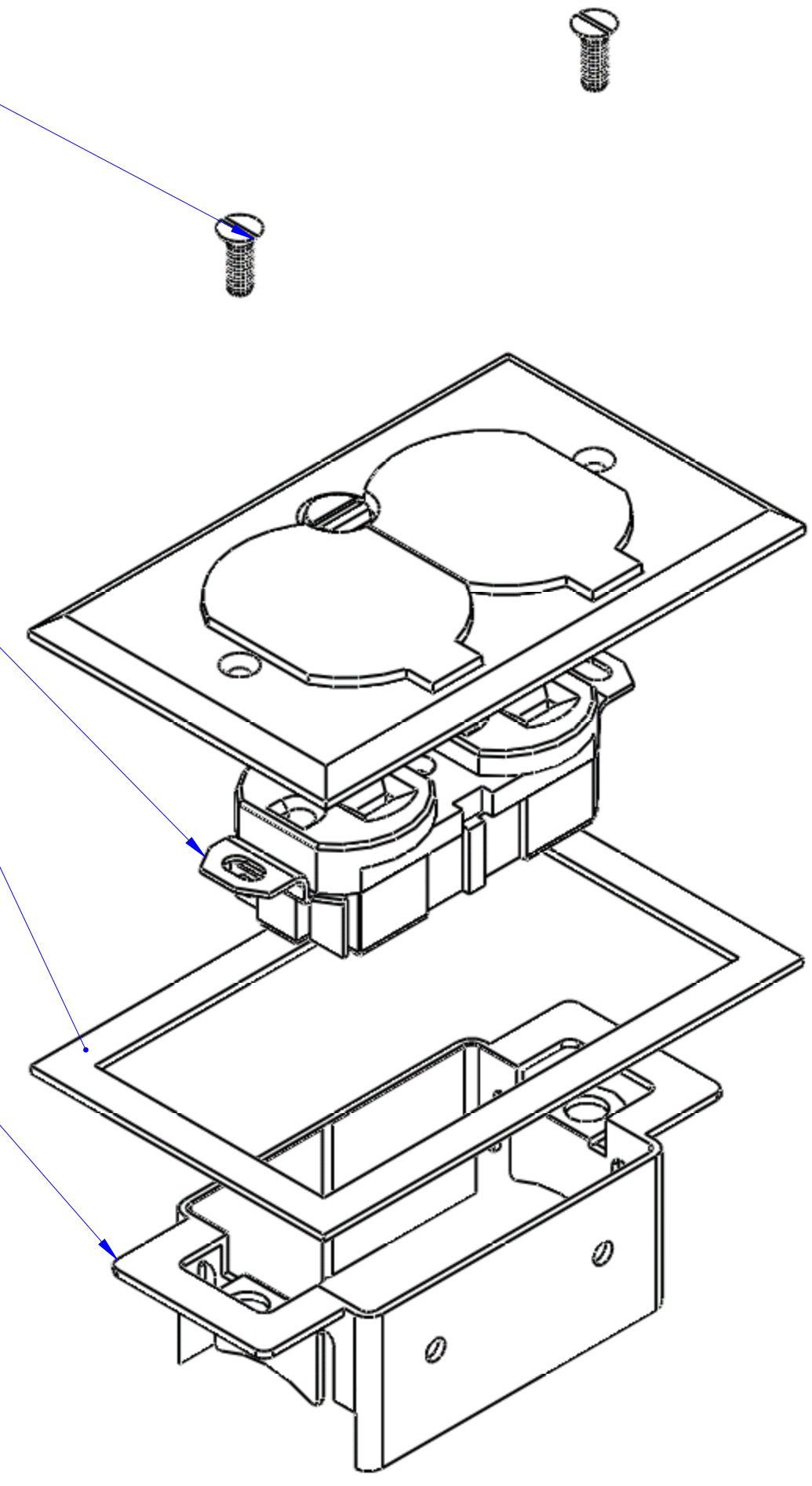


ALUMINUM, [2] 6-32 X
 .75 FLAT HEAD SCREW
 [1.25 ALSO PROVIDED]

804 DRU

NEOPRENE GASKET

RRP-2-R



LEW ELECTRIC
FITTINGS COMPANY
 SERVING THE ELCTRICAL INDUSTRY SINCE 1901
 1801 W. St. Charles Rd. Maywood, IL 60153
 PHONE: 708-345-2075

UNLESS OTHERWISE SPECIFIED:		NAME	DATE
DIMENSIONS ARE IN INCHES		DRAWN	PJG 11/30/2007
TOLERANCES:			
FRACTIONAL ±			
ANGULAR: MACH ± BEND ±			
TWO PLACE DECIMAL ±			
THREE PLACE DECIMAL ±			
INTERPRET GEOMETRIC TOLERANCING PER:		COMMENTS:	
MATERIAL			
FINISH			
DO NOT SCALE DRAWING			
TITLE:			REV
RRP-2-LR-A			A
SIZE	DWG. NO.		
C	1001110		
WEIGHT:	SHEET 10 OF 12		