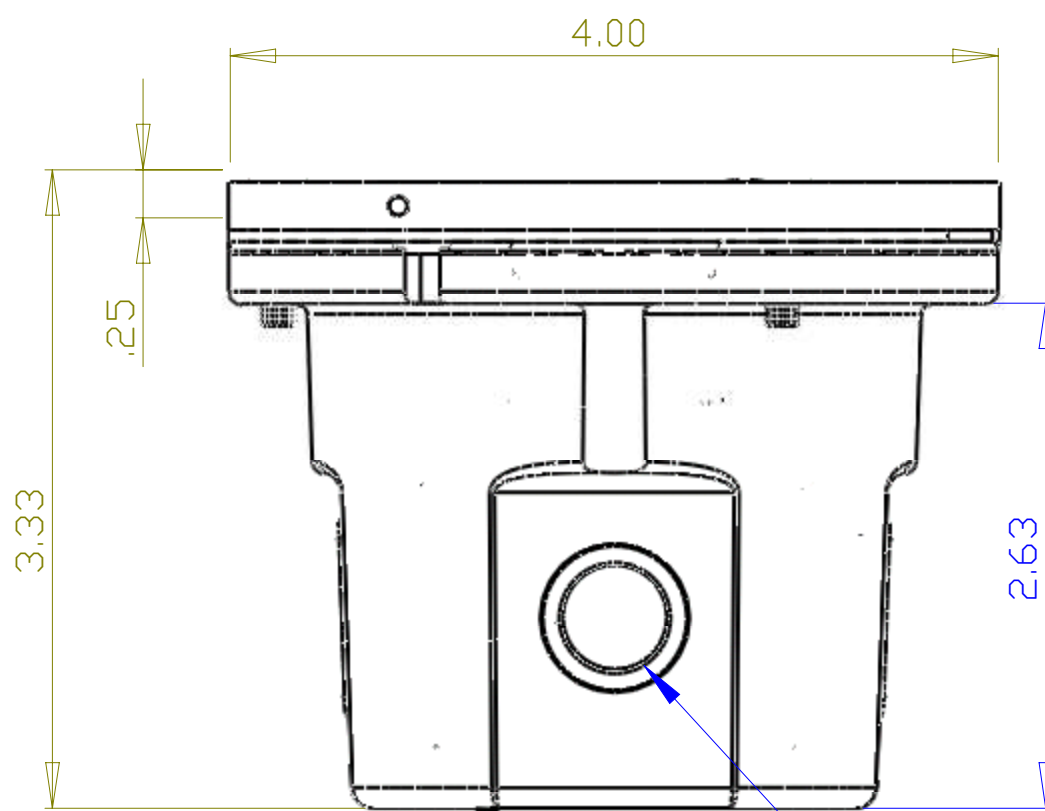
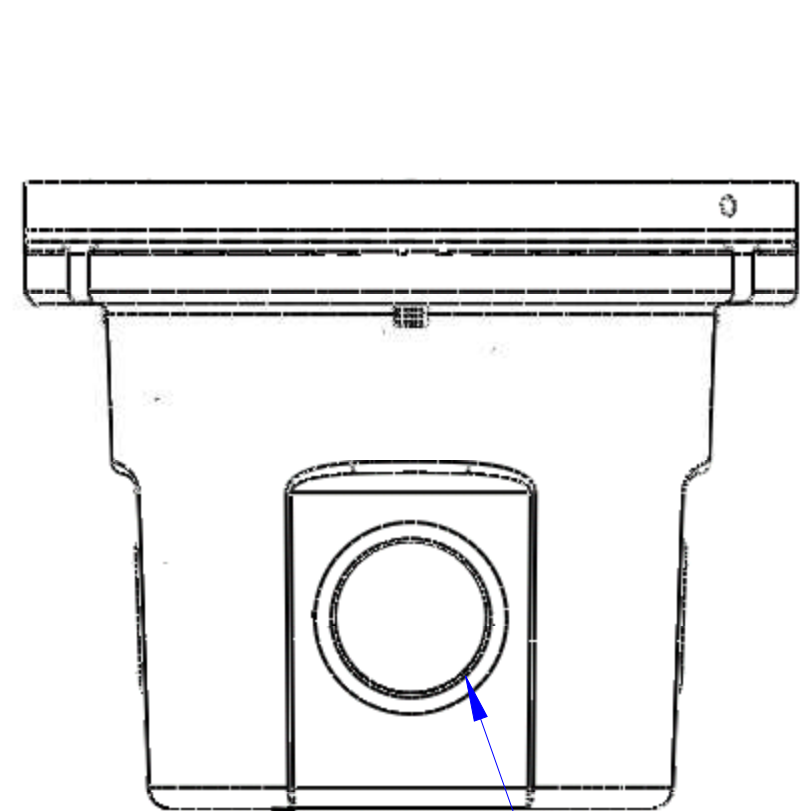
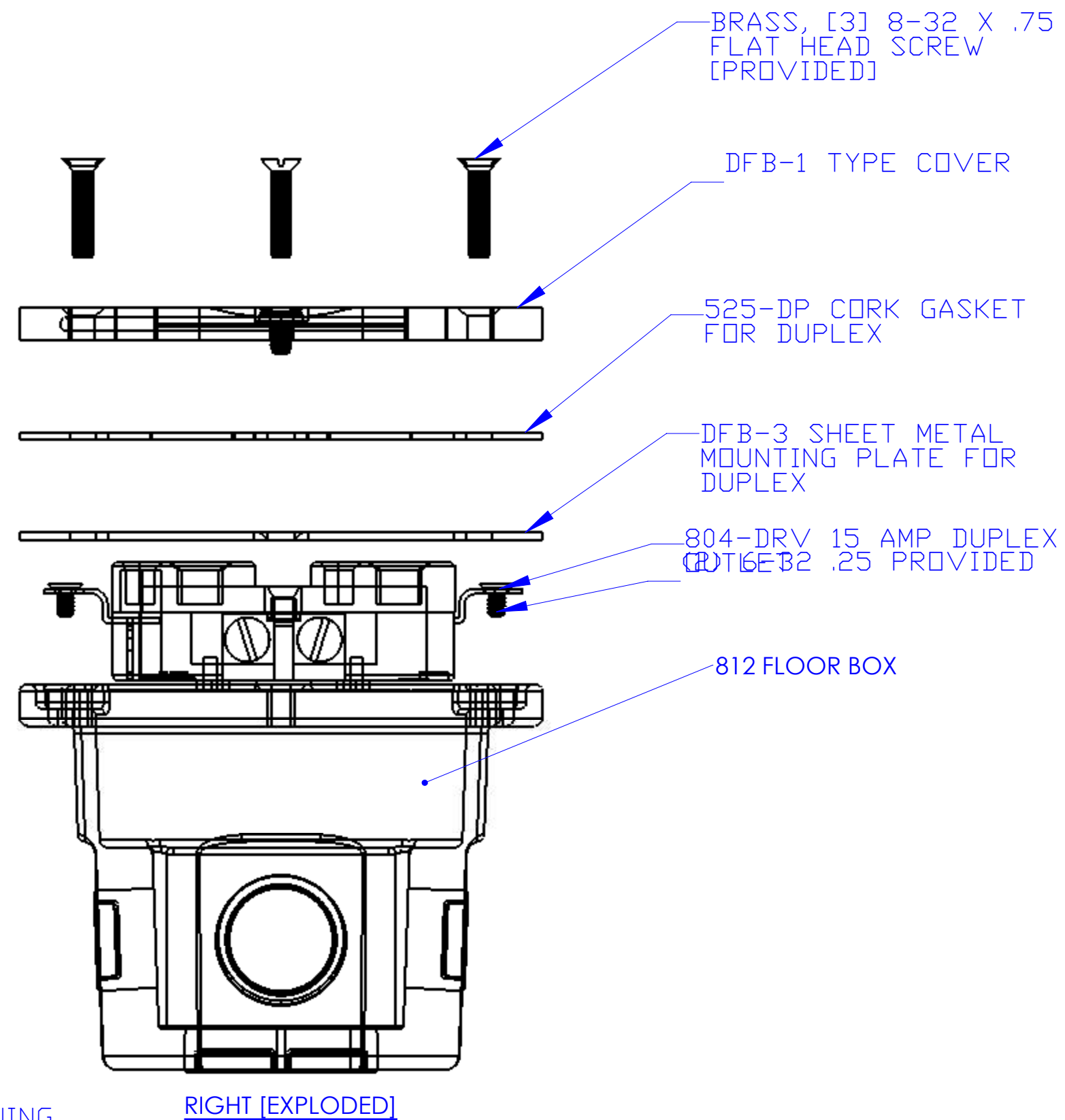
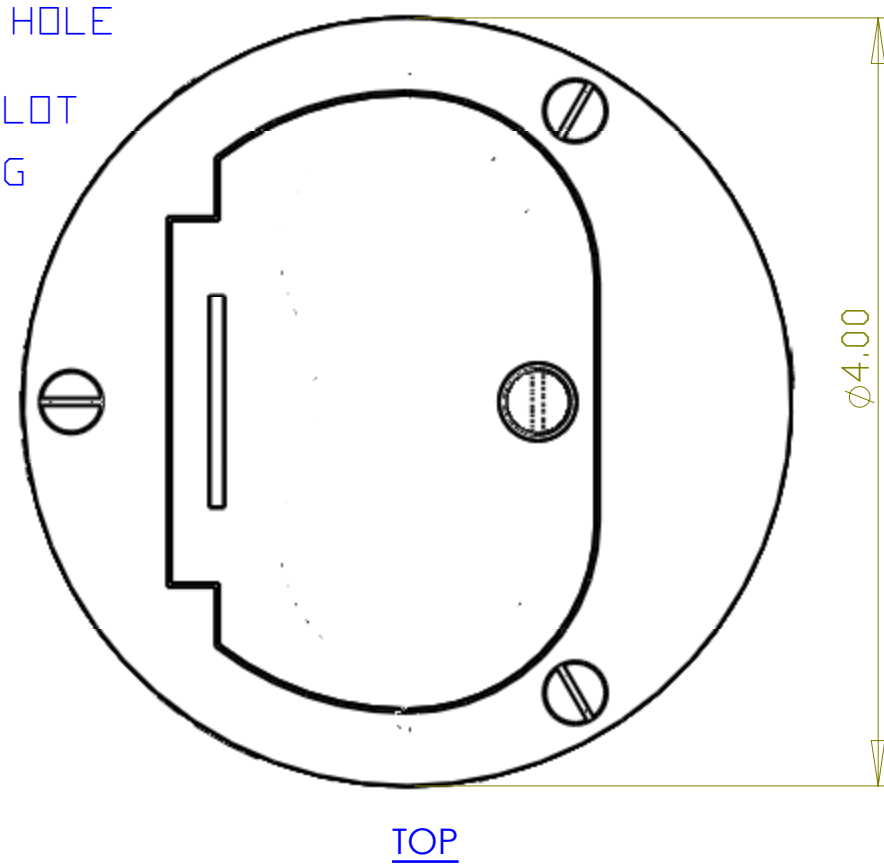
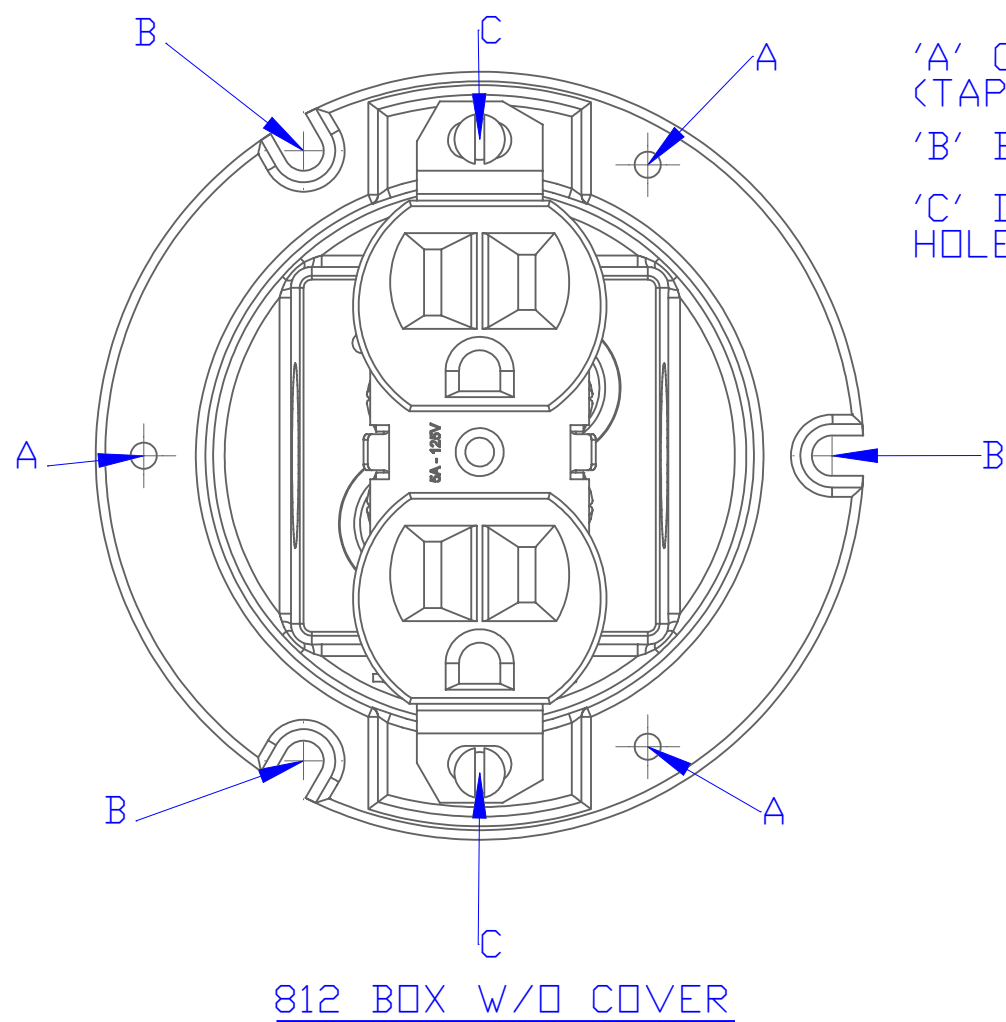


'A' COVERMOUNTING HOLE
(TAPED 8/32)
'B' BOX MOUNTING SLOT
'C' DUPLEX MOUNTING HOLE (TAPED 6/32)

DESCRIPTION:
CAST IRON FLOOR BOX FURNISHED WITH DFB-1
BRASS COVER & 15 AMP RECEPTACLE



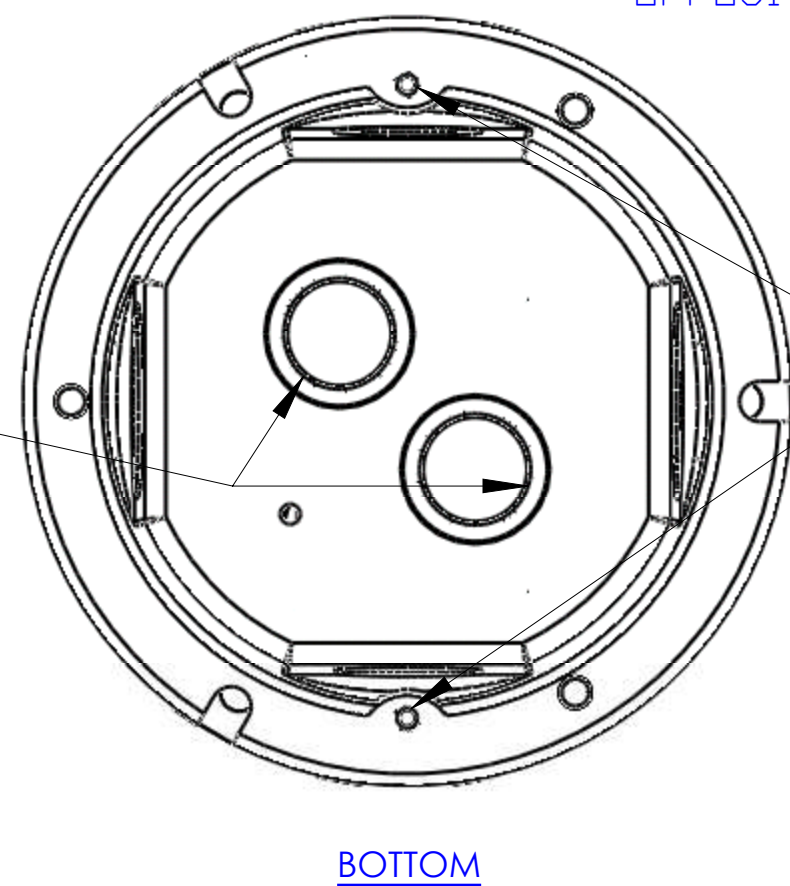
RIGHT [EXPLODED]

3/4 CONDUIT OPENING
[3/4 NPT WITH CAP]

1/2 CONDUIT OPENING
[1/2 NPT WITH CAP]
OPPOSITE SIDE SAME

1/2 CONDUIT OPENING
[1/2 NPT WITH CAP]

RECEPTACLE MOUNTING HOLES



LEW ELECTRIC
FITTINGS COMPANY
SERVING THE ELECTRICAL INDUSTRY SINCE 1901
1801 W. St. Charles Rd. Maywood, IL 60153
PHONE: 708-345-2075

UNLESS OTHERWISE SPECIFIED:	NAME	DATE	TITLE: 812-DFB W DFB-1
DIMENSIONS ARE IN INCHES	DRAWN	9/10/2007	
TOLERANCES: FRACTIONAL ± ANGULAR: MACH ± BEND ± TWO PLACE DECIMAL ± THREE PLACE DECIMAL ±	P.J.G.		SIZE DWG. NO. REV C 1001060 A
INTERPRET GEOMETRIC TOLERANCING PER:	COMMENTS:		
MATERIAL			WEIGHT:
FINISH			SHEET 2 OF 10
DO NOT SCALE DRAWING			