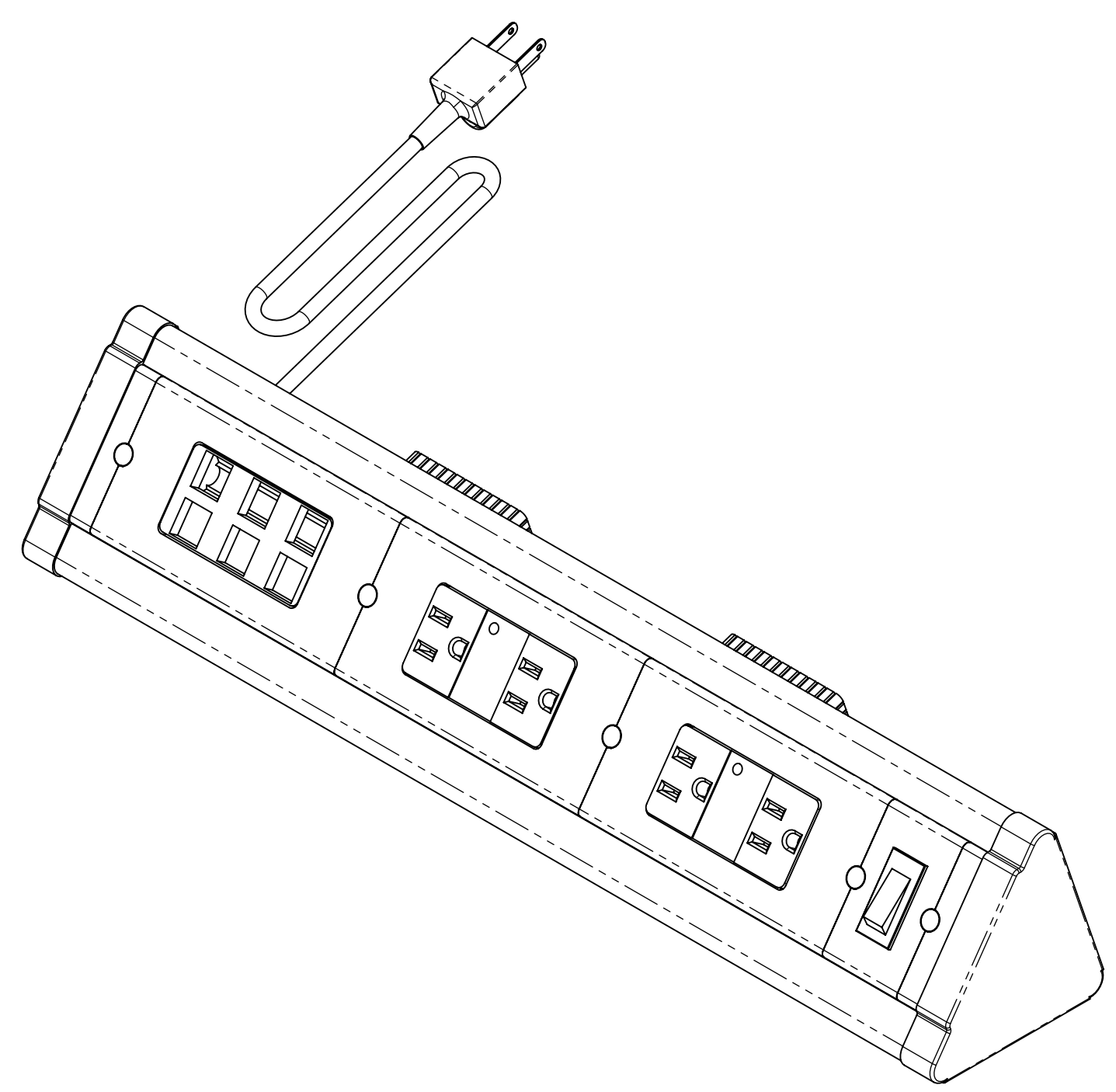
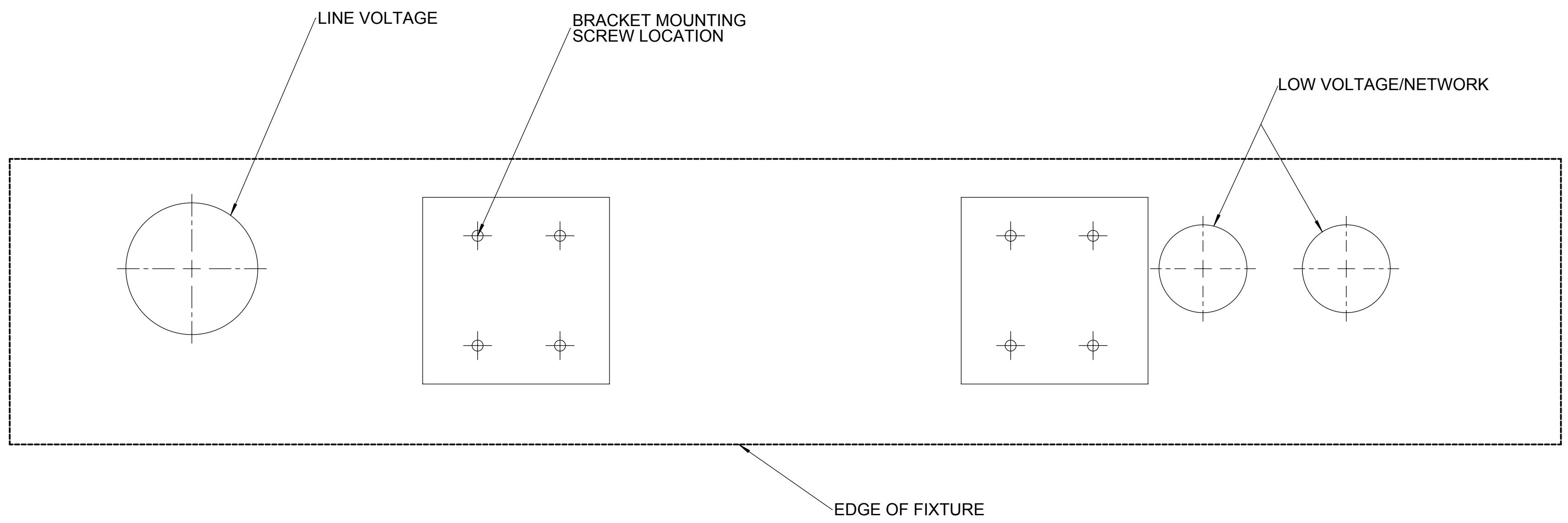
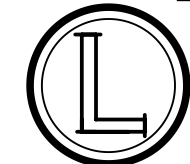


8 7 6 5 4 3 2 1

F
E
D
C
B
A





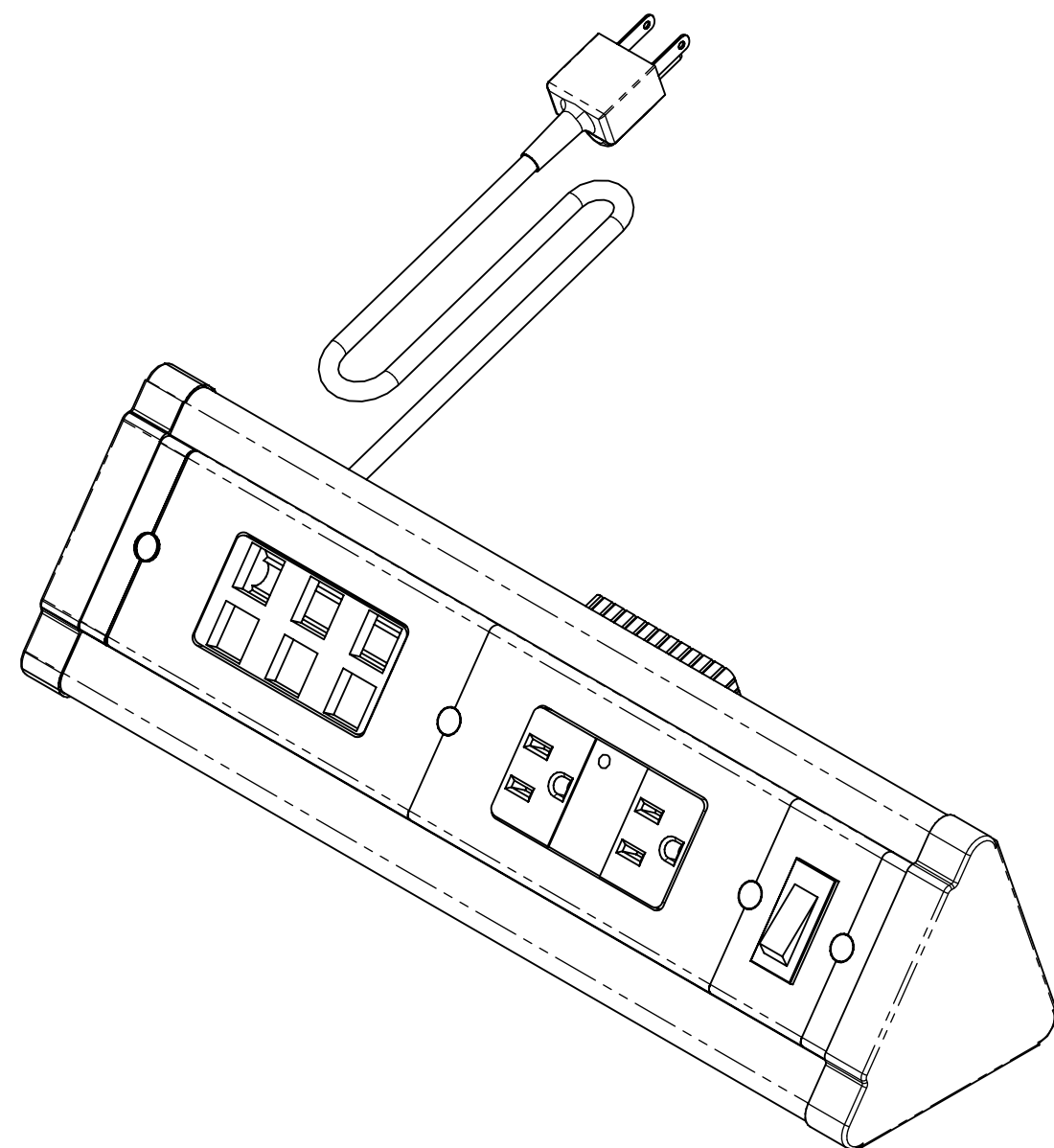
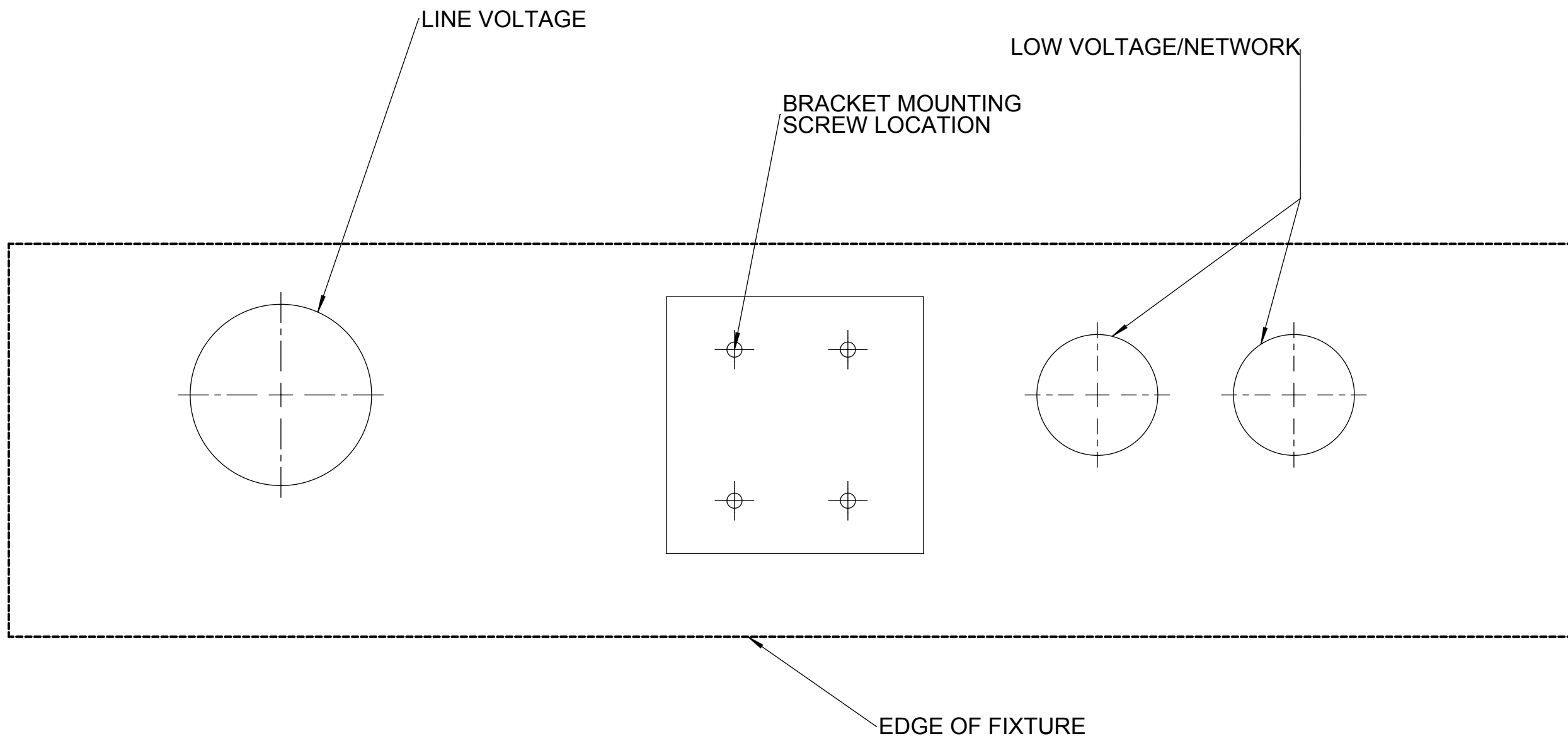
LEW ELECTRIC FITTINGS COMPANY

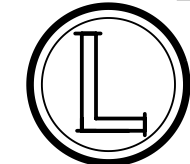
SERVING THE ELCTRICAL INDUSTRY SINCE 1901

1801 W. St. Charles Rd. Maywood, IL 60153
PHONE: 708-345-2075

| | | | |
|--------------------------------------|------------------------|------|--------------|
| UNLESS OTHERWISE SPECIFIED: | NAME | DATE | |
| DIMENSIONS ARE IN INCHES | DRAWN | PJG | TITLE: |
| TOLERANCES: | | | |
| FRACTIONAL: ± | | | |
| ANGULAR: MATCH ± BEND ± | | | |
| TWO PLACE DECIMAL ± | | | |
| THREE PLACE DECIMAL ± | | | |
| INTERPRET GEOMETRIC TOLERANCING PER: | COMMENTS: | | |
| MATERIAL | | | |
| FINISH | | | |
| DO NOT SCALE DRAWING | SIZE A DWG. NO. | | REV A |
| | WEIGHT: | | SHEET 5 OF 6 |

8 7 6 5 4 3 2 1





LEW ELECTRIC FITTINGS COMPANY

SERVING THE ELCTRICAL INDUSTRY SINCE 1901

1801 W. St. Charles Rd. Maywood, IL 60153
PHONE: 708-345-2075

| | | | | |
|--------------------------------------|-----------|--------|------|----------------------|
| UNLESS OTHERWISE SPECIFIED: | DRAWN | NAME | DATE | TITLE: |
| DIMENSIONS ARE IN INCHES | | P.J.G. | | |
| TOLERANCES: | | | | |
| FRACTIONAL ± | | | | |
| ANGULAR: MACH ± BEND ± | | | | |
| TWO PLACE DECIMAL ± | | | | |
| THREE PLACE DECIMAL ± | | | | |
| INTERPRET GEOMETRIC TOLERANCING PER: | COMMENTS: | | | |
| MATERIAL | | | | SIZE DWG. NO. REV |
| FINISH | | | | A A |
| DO NOT SCALE DRAWING | | | | WEIGHT: SHEET 6 OF 6 |