

DESCRIPTION:
 CAST IRON FLOOR BOX FURNISHED WITH 523-
 DP-A ALUMINUM COVER & 15 AMP RECEPTACLE

'A' COVERMOUNTING HOLE
 (TAPED 8/32)
 'B' BOX MOUNTING SLOT
 'C' DUPLEX MOUNTING
 HOLE (TAPED 6/32)

1 1/2" SCREW PLUG

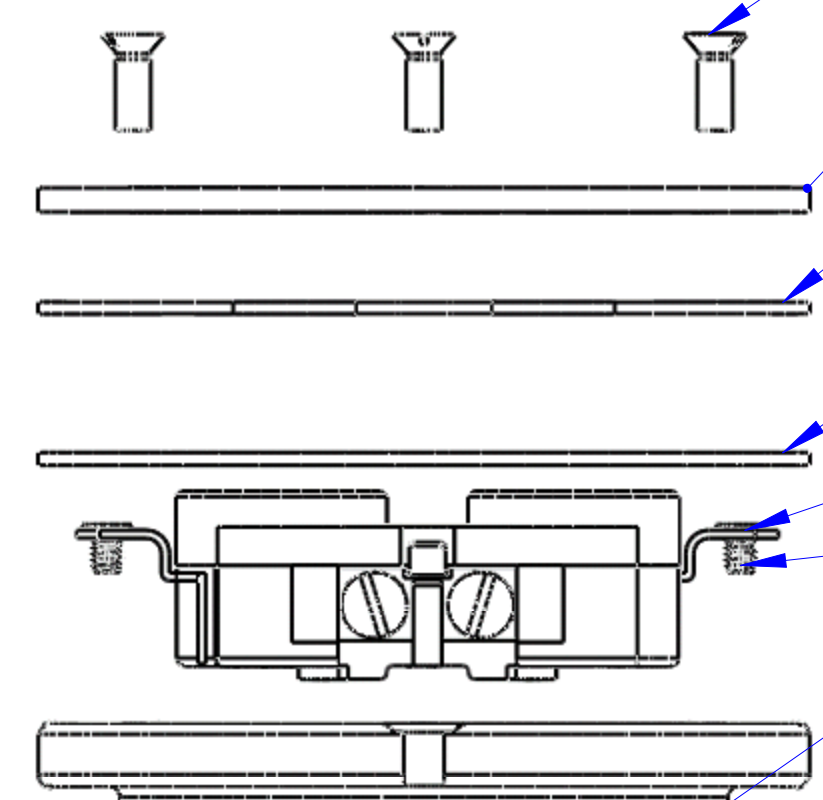
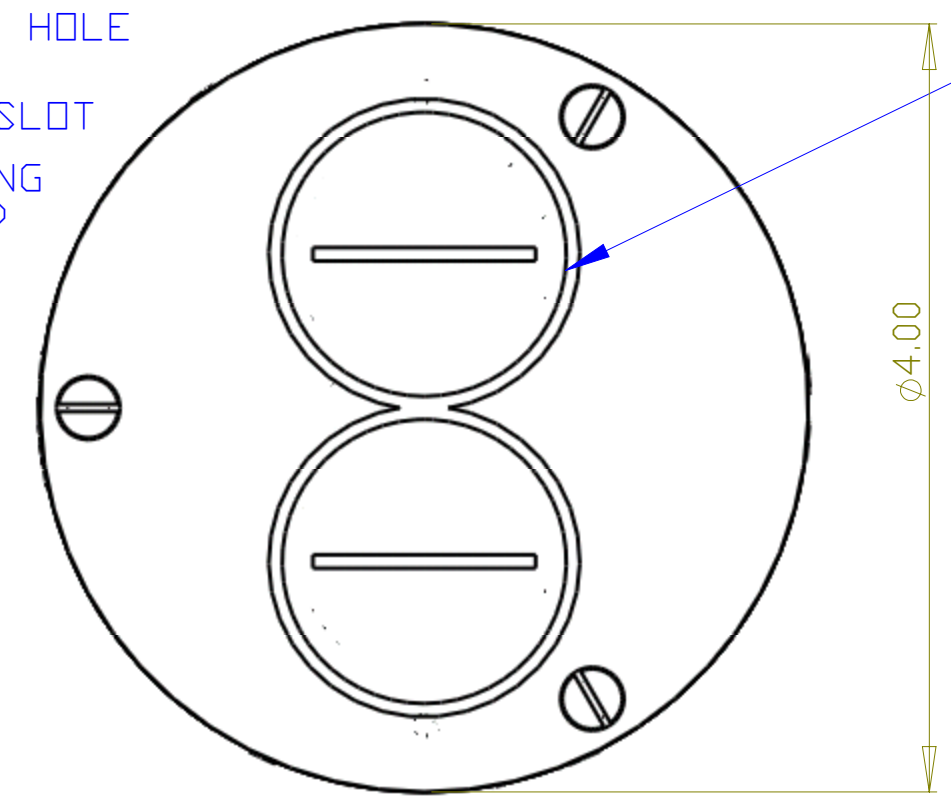
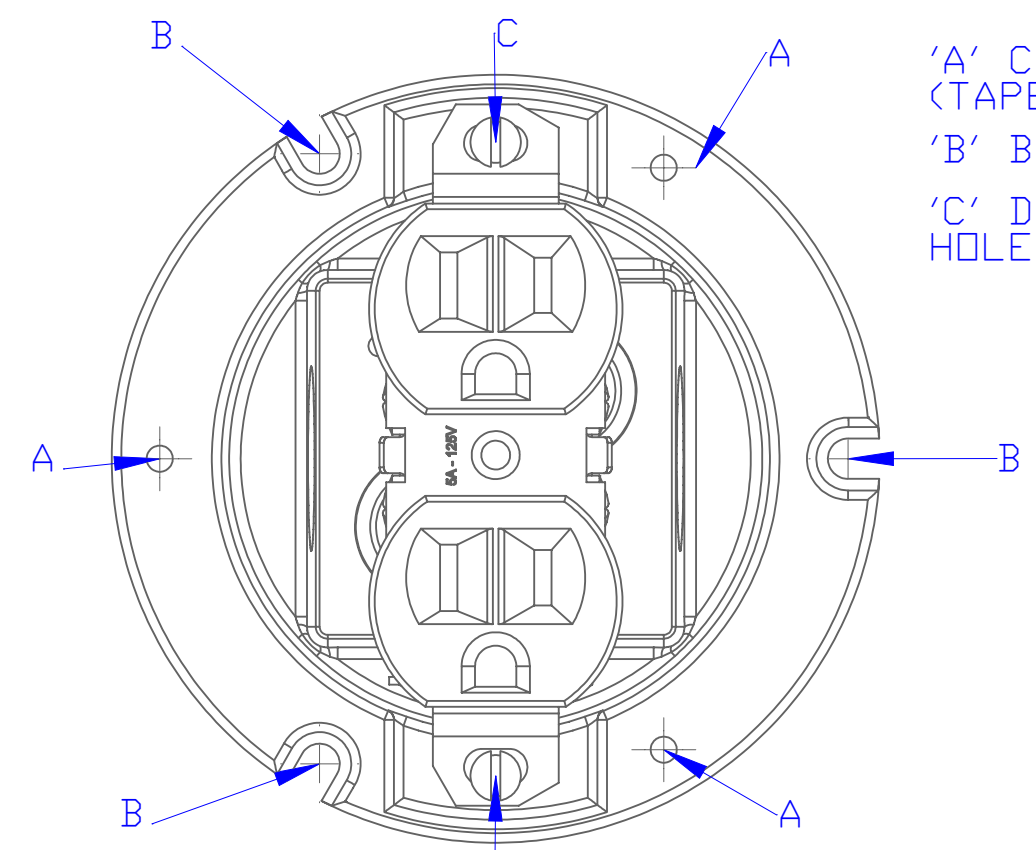
ALUMINUM, [3] 8-32 X .5
 FLAT HEAD SCREW
 [PROVIDED]
 523-DP-A TYPE COVER

525-DP CORK GASKET
 FOR DUPLEX

DFB-3 SHEET METAL
 MOUNTING PLATE FOR
 DUPLEX

804-DRV 15 AMP DUPLEX
 OUTLET
 (2) 6-32 .25 PROVIDED

812 FLOOR BOX

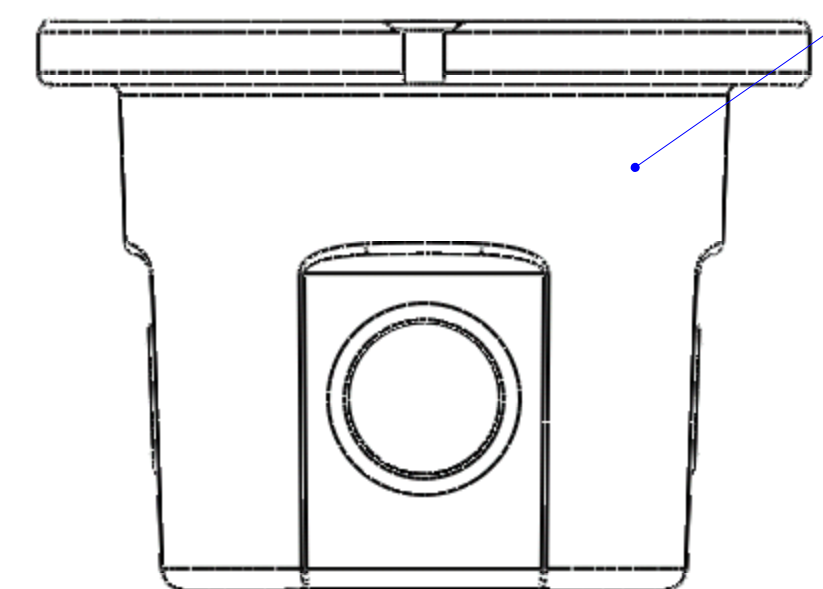
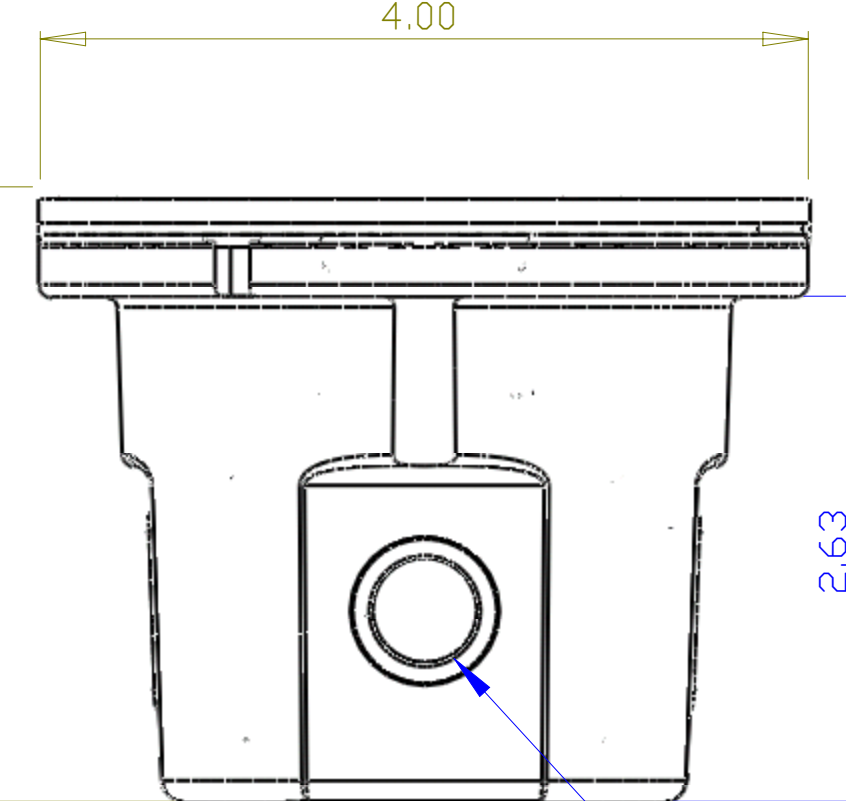
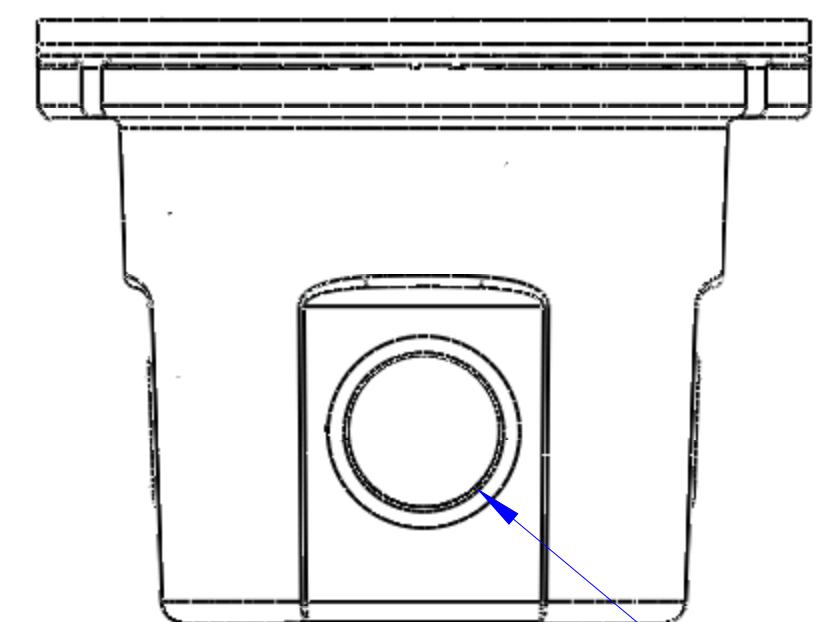


812 BOX W/O COVER

TOP

4.00

Ø4.00



LEFT

FRONT

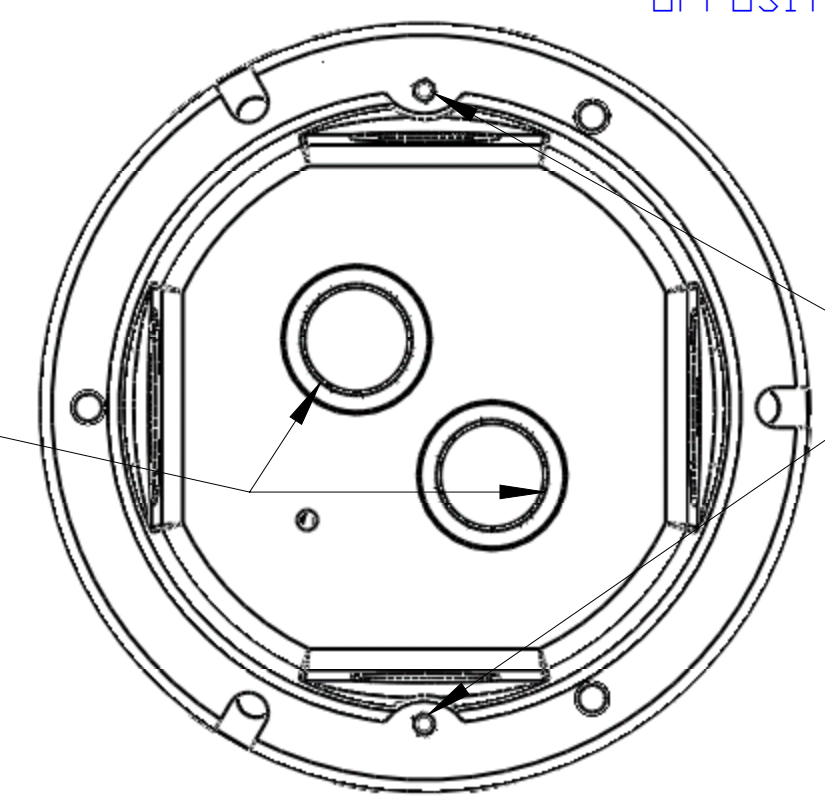
RIGHT [EXPLODED]

3/4 CONDUIT OPENING
 [3/4 NPT WITH CAP]

1/2 CONDUIT OPENING
 [1/2 NPT WITH CAP]
 OPPOSITE SIDE SAME

1/2 CONDUIT OPENING
 [1/2 NPT WITH CAP]

RECEPTACLE MOUNTING HOLES



BOTTOM

LEW ELECTRIC
FITTINGS COMPANY
 SERVING THE ELECTRICAL INDUSTRY SINCE 1901
 1801 W. St. Charles Rd. Maywood, IL 60153
 PHONE: 708-345-2075

UNLESS OTHERWISE SPECIFIED:	NAME	DATE	TITLE: 812-DFB-A
DIMENSIONS ARE IN INCHES	DRAWN	9/10/2007	
TOLERANCES:			SIZE DWG. NO. REV C 1001090 A
FRACTIONAL ±			
ANGULAR: MACH ± BEND ±			
TWO PLACE DECIMAL ±			
INTERPRET GEOMETRIC TOLERANCING PER:	COMMENTS:		WEIGHT: SHEET 5 OF 10
MATERIAL			
FINISH			
DO NOT SCALE DRAWING			