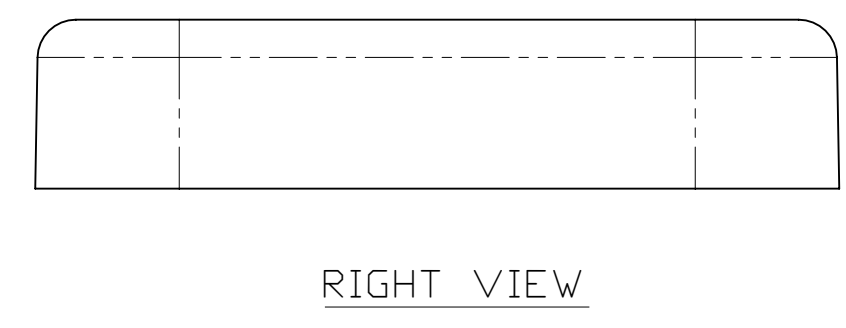
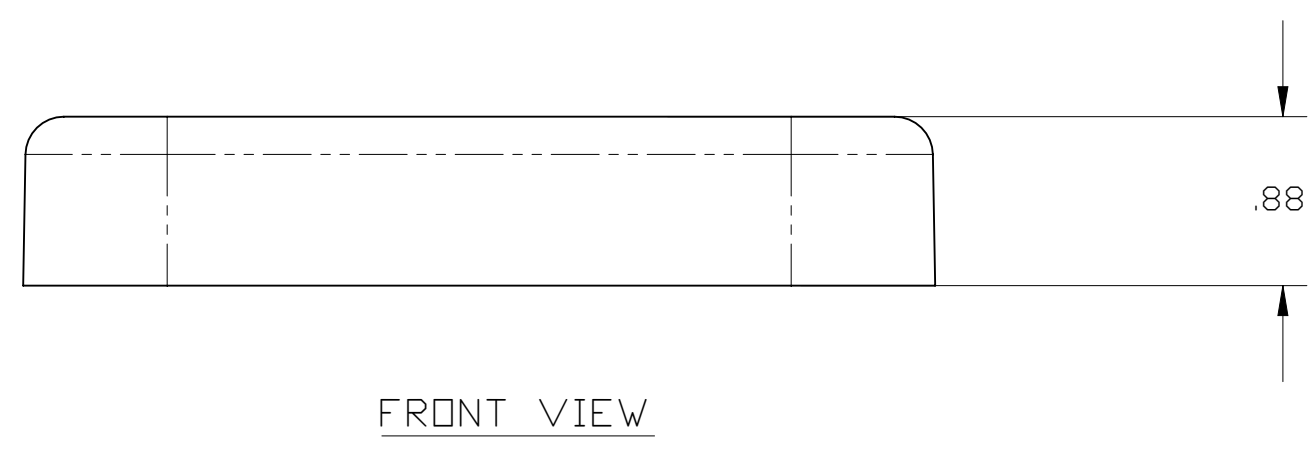
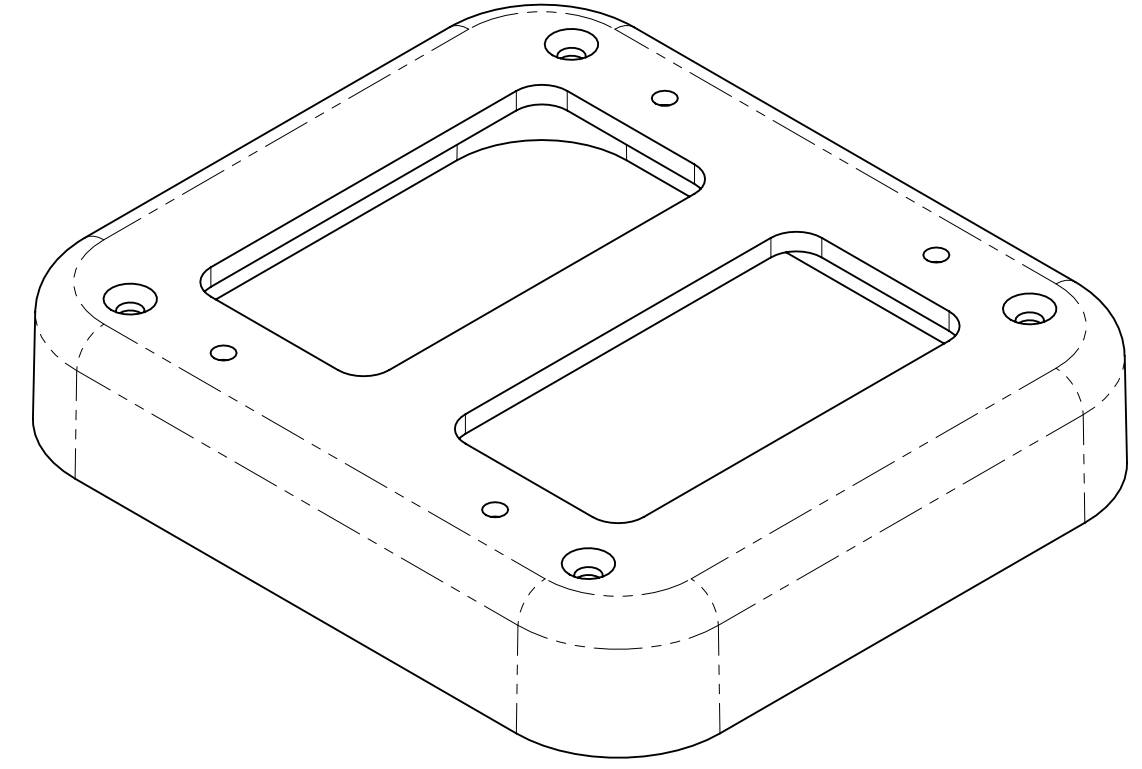
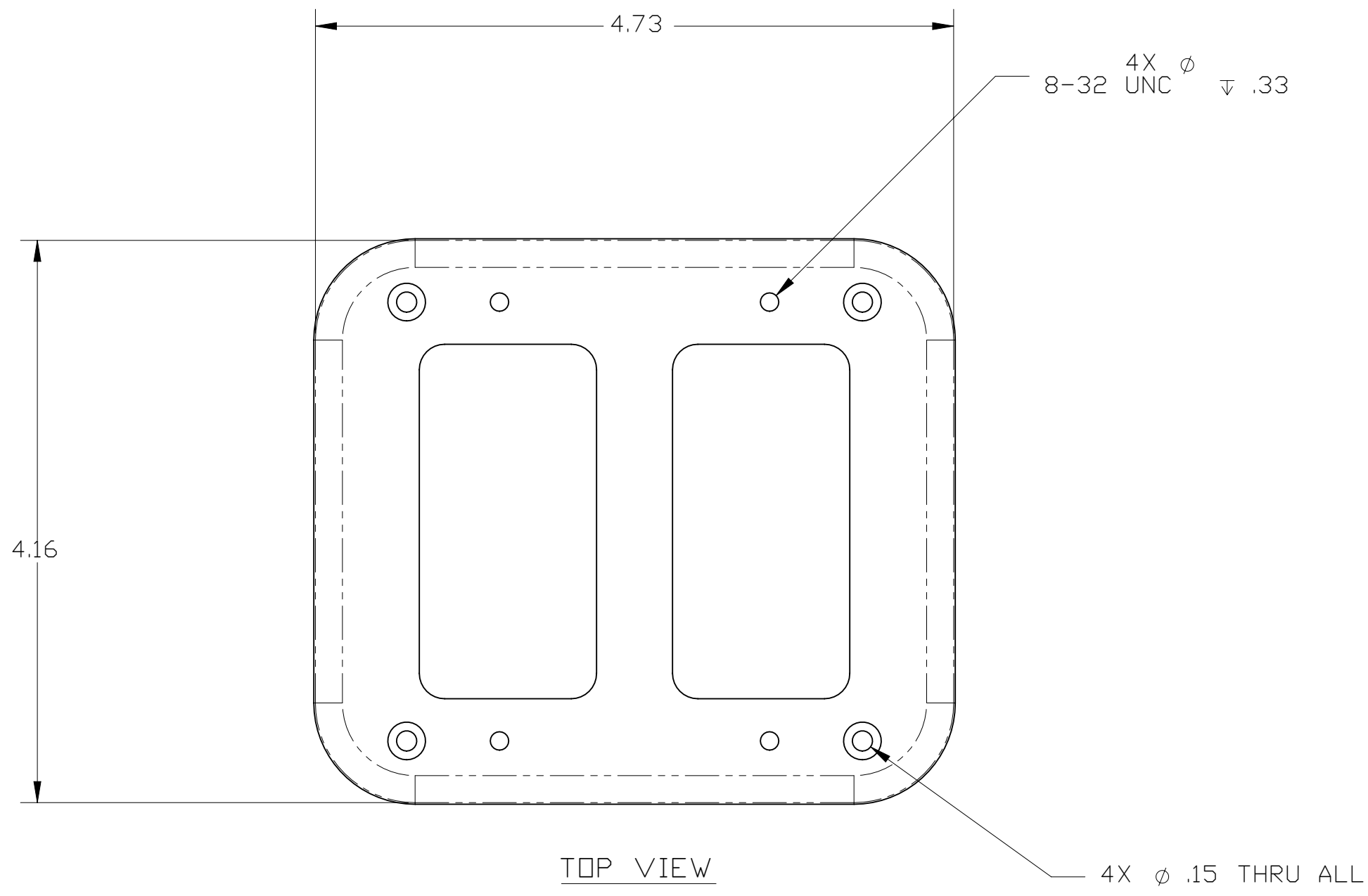


DESCRIPTION:
 Nozzle plate will accommodate (2) GFI
 receptacles.



LEW ELECTRIC
FITTINGS COMPANY
 SERVING THE ELCTRICAL INDUSTRY SINCE 1901
 1801 W. St. Charles Rd. Maywood, IL 60153
 PHONE: 708-345-2075

UNLESS OTHERWISE SPECIFIED:	NAME	DATE	TITLE: 713-GFI-A
DIMENSIONS ARE IN INCHES	DRAWN	12/5/2008	
TOLERANCES:			SIZE DWG. NO. REV C
FRACTIONAL: \pm			
ANGULAR: MACH \pm BEND \pm			
TWO PLACE DECIMAL \pm			WEIGHT: SHEET 1 OF 13
THREE PLACE DECIMAL \pm			
INTERPRET GEOMETRIC TOLERANCING PER:	COMMENTS:		
MATERIAL			
FINISH			
DO NOT SCALE DRAWING			