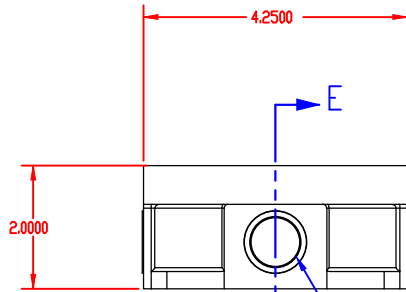


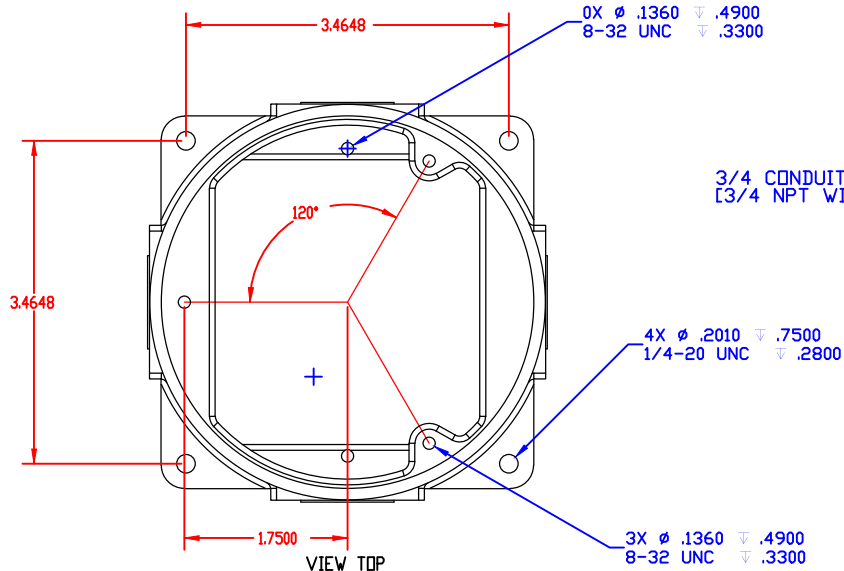
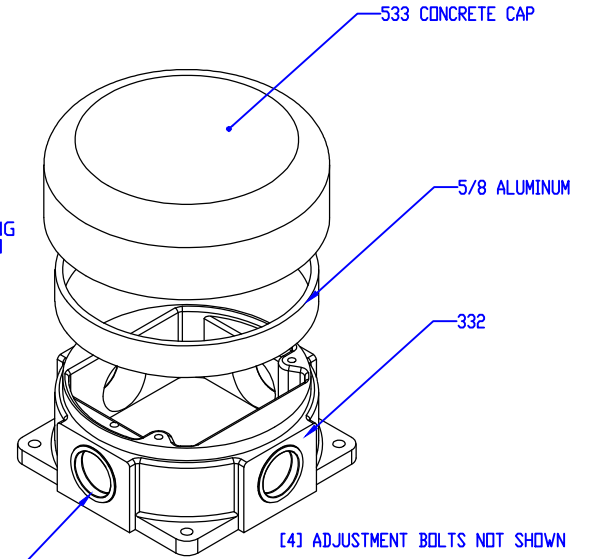
CROSS SECTION



VIEW FRONT

DESCRIPTION:

ALUMINUM TILE FLANGE, DIE CAST ALUMINUM BOX, SEMI-ADJUSTABLE,
13 CU. IN. INTERIOR CAPACITY



VIEW TOP

<p>LEW ELECTRIC FITTINGS COMPANY SERVING THE ELCTRICAL INDUSTRY SINCE 1901</p> <p>1626 Tobacco Road, Augusta, GA 30906 PHONE: 877.537.2019</p>		<p>UNLESS OTHERWISE SPECIFIED</p>		
		<p>DRAWN</p>	<p>NAME</p>	<p>DATE</p>
<p>DIMENSIONS ARE IN INCHES</p> <p>TOLERANCES:</p> <p>FRACTIONAL: ±</p> <p>ANGULAR: INCH: ±</p> <p>TWO PLACE DECIMAL: ±</p> <p>THREE PLACE DECIMAL: ±</p>	<p>REVISIONS:</p>	<p>COMMENTS:</p>	<p>SIZE DWG. NO.</p> <p>C 1001280</p>	<p>REV</p> <p>A</p>
<p>INTERPRET GEOMETRIC TOLERANCING PER:</p>	<p>MATERIAL:</p>	<p>FINISH:</p>	<p>WEIGHT:</p>	<p>SHEET 1 OF 1</p>
<p>DO NOT SCALE DRAWING</p>				