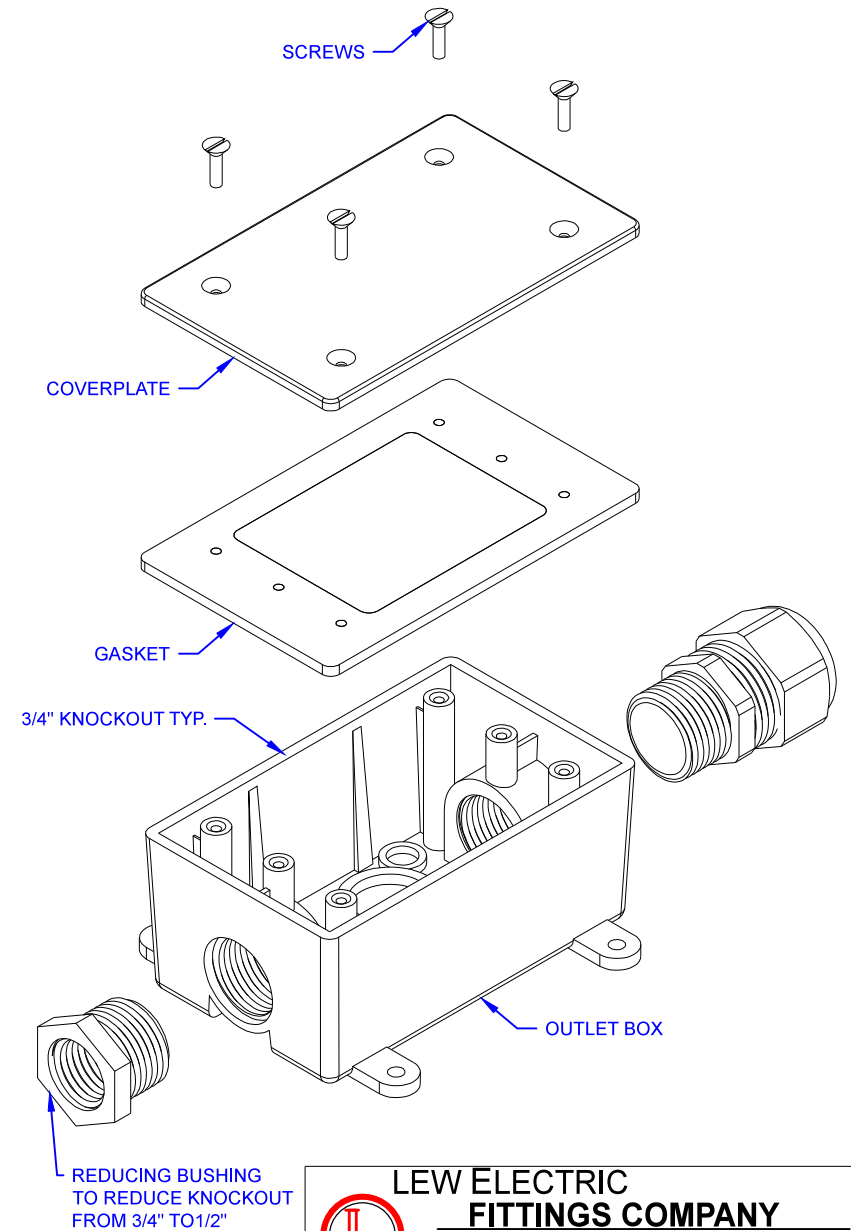
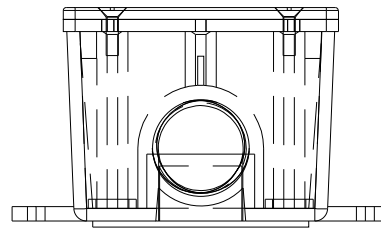
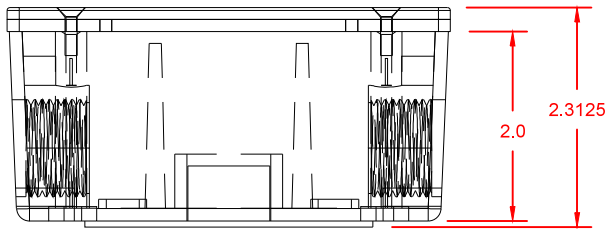
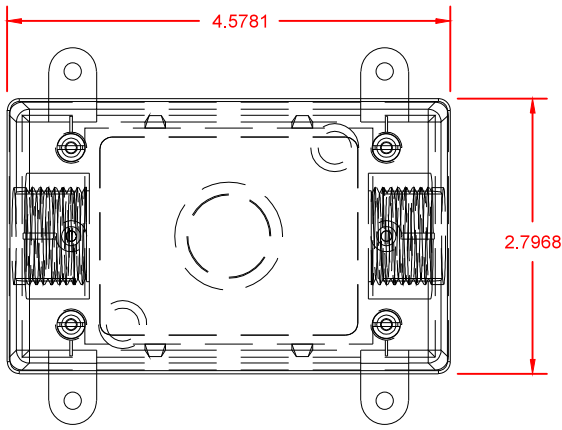


**LEW ELECTRIC  
FITTINGS COMPANY**  
SERVING THE ELECTRICAL INDUSTRY SINCE 1901

1626 Tobacco Road, Augusta, GA 30906  
PHONE: 877.537.2019

UNLESS OTHERWISE SPECIFIED: DIMENSIONS ARE IN INCHES TOLERANCES: FRACTIONAL ± ANGULAR: MACH ± BEND ± TWO PLACE DECIMAL ± THREE PLACE DECIMAL ± INTERPRET GEOMETRIC TOLERANCING PER: MATERIAL: FINISH: DO NOT SCALE DRAWING	NAME SMK	DATE 1/13/2024	TITLE: <b>DB-1 SERIES DEK-BOX DB-1-DB (DUPLEX)</b>
COMMENTS:	SIZE <b>A</b>	DWG. NO. <b>000001</b>	REV <b>A</b>
		WEIGHT:	SHEET 1 OF 1



**LEW ELECTRIC FITTINGS COMPANY**  
 SERVING THE ELECTRICAL INDUSTRY SINCE 1901  
 1626 Tobacco Road, Augusta, GA 30906  
 PHONE: 877.537.2019

UNLESS OTHERWISE SPECIFIED:		NAME	DATE	TITLE:	
DIMENSIONS ARE IN INCHES:		DRAWN	SMK		Plastic 1 Gang Outlet Box - Wet Locations
FRACTIONAL ±				SIZE DWG. NO. REV	
TOLERANCES:					A 000001 A
ANGULAR: MACH ± BEND ±					
TWO PLACE DECIMAL ±					
THREE PLACE DECIMAL ±				WEIGHT:	
INTERPRET GEOMETRIC TOLERANCING PER:		COMMENTS:		SHEET 1 OF 1	
MATERIAL:					
FINISH:					
DO NOT SCALE DRAWING					