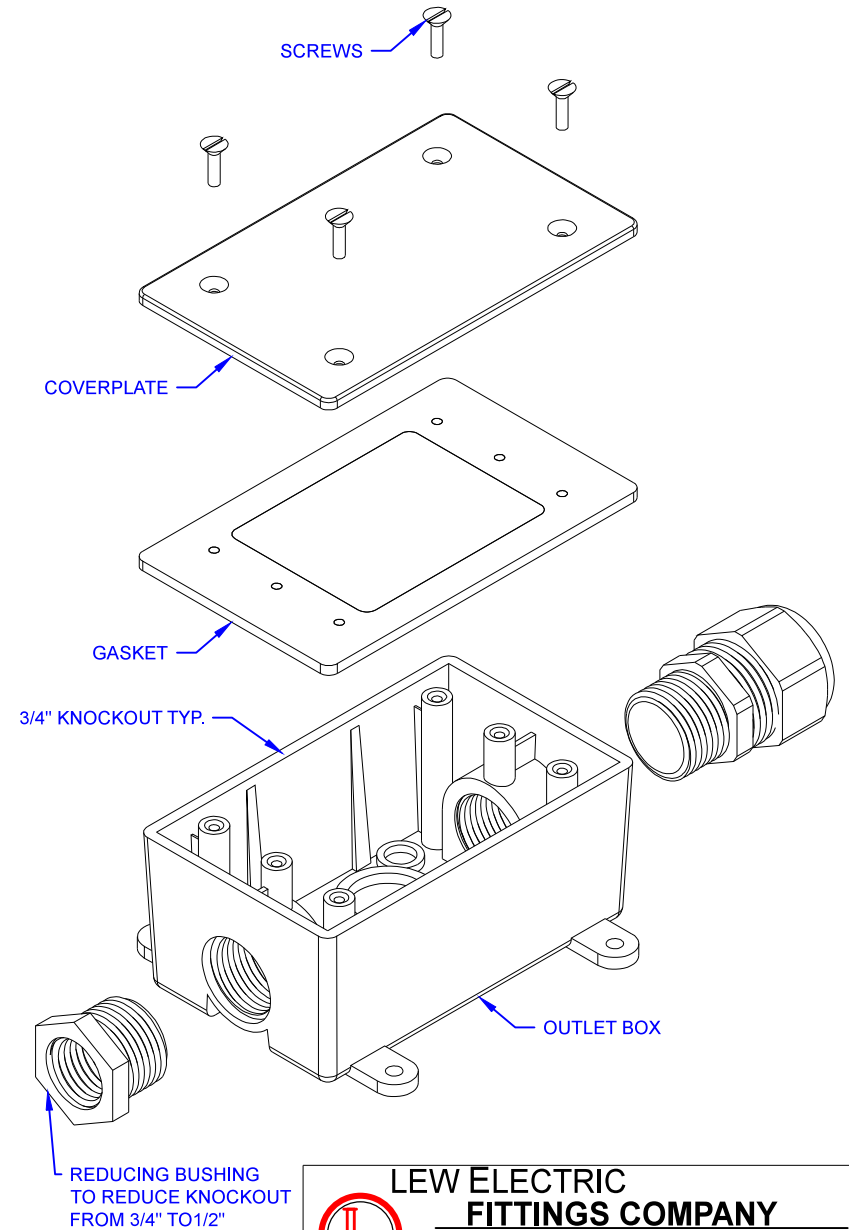
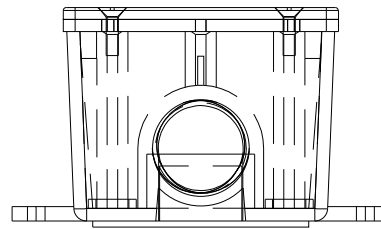
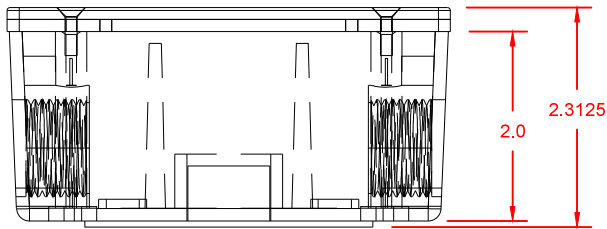
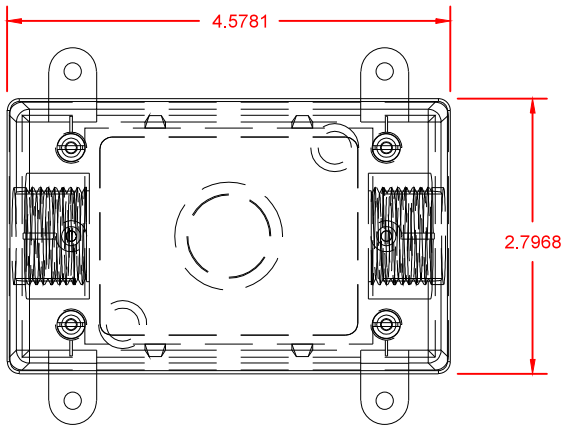


LEW ELECTRIC FITTINGS COMPANY

SERVING THE ELECTRICAL INDUSTRY SINCE 1901

1626 Tobacco Road, Augusta, GA 30906
PHONE: 877.537.2019

UNLESS OTHERWISE SPECIFIED:	NAME	DATE		
DIMENSIONS ARE IN INCHES	DRAWN	SMK		
TOLERANCES:				
FRACTIONAL ±				
ANGULAR: MACH ±				
TWO PLACE DECIMAL ±				
THREE PLACE DECIMAL ±				
INTERPRET GEOMETRIC TOLERANCING PER:				
MATERIAL	COMMENTS:			
FINISH				
DO NOT SCALE DRAWING			TITLE:	DB-1 SERIES DEK-BOX DB-1-DB (BLANK)
	SIZE	DWG. NO.	REV	
	A	000001	A	
		WEIGHT:	SHEET 1 OF 1	



LEW ELECTRIC FITTINGS COMPANY
 SERVING THE ELECTRICAL INDUSTRY SINCE 1901
 1626 Tobacco Road, Augusta, GA 30906
 PHONE: 877.537.2019

UNLESS OTHERWISE SPECIFIED:		NAME	DATE	TITLE:	
DIMENSIONS ARE IN INCHES:		DRAWN	SMK		Plastic 1 Gang Outlet Box - Wet Locations
TOLERANCES:				SIZE DWG. NO. REV	
FRACTIONAL ±					A 000001 A
ANGULAR: MACH ± BEND ±					
TWO PLACE DECIMAL ±				WEIGHT: SHEET 1 OF 1	
THREE PLACE DECIMAL ±					
INTERPRET GEOMETRIC TOLERANCING PER:		COMMENTS:			
MATERIAL:					
FINISH:					
DO NOT SCALE DRAWING					