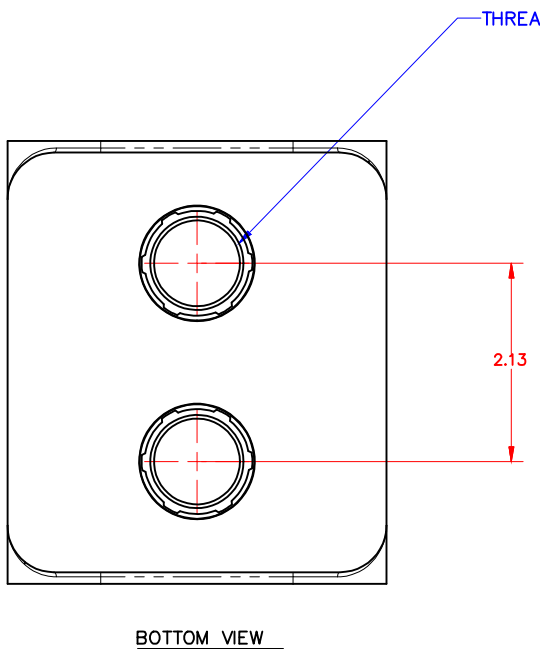
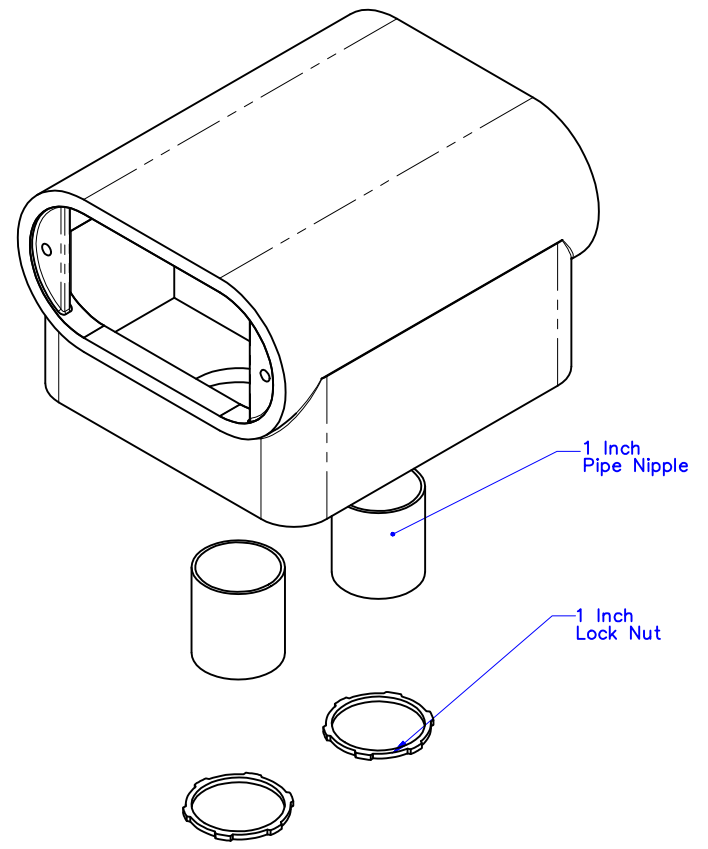
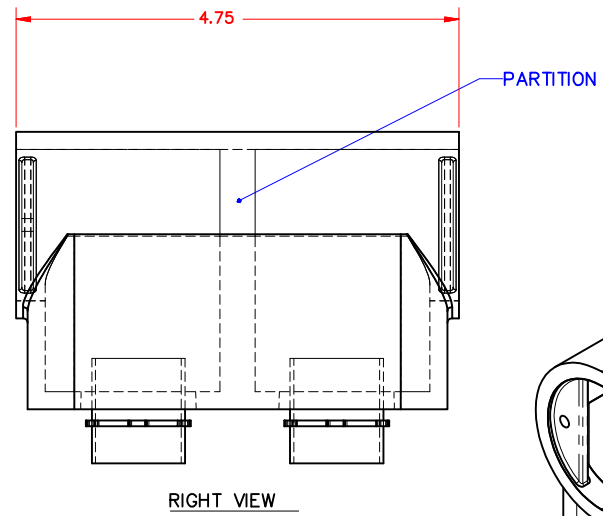
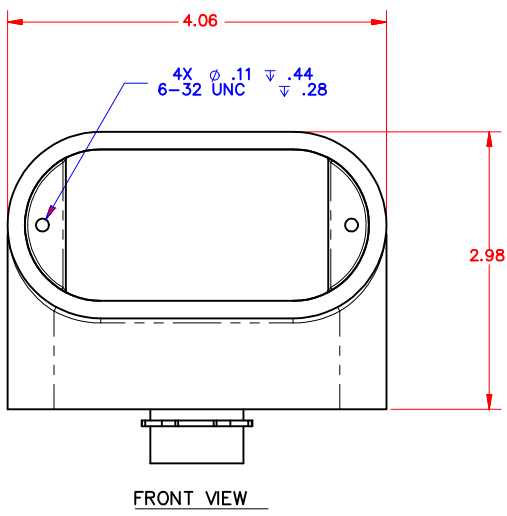


8 7 6 5 4 3 2 1

DESCRIPTION:
Aluminum floor nozzle with partition





**LEW ELECTRIC
FITTINGS COMPANY**
SERVING THE ELECTRICAL INDUSTRY SINCE 1901
1626 Tobacco Rd., Augusta Ga, 30906
PHONE: 877-537-2019

UNLESS OTHERWISE SPECIFIED:		NAME	DATE	TITLE: FDN-200-A
DIMENSIONS ARE IN INCHES		DRAWN	P.J.G. 12/5/2008	
TOLERANCES:				
FRACTIONAL \pm ANGULAR: MACH \pm BEND \pm TWO PLACE DECIMAL \pm THREE PLACE DECIMAL \pm				
INTERPRET GEOMETRIC TOLERANCING PER:		COMMENTS:		SIZE C
MATERIAL:				DWG. NO.
FINISH:				REV A
DO NOT SCALE DRAWING				WEIGHT: SHEET 11 OF 13

8 7 6 5 4 3 2 1