
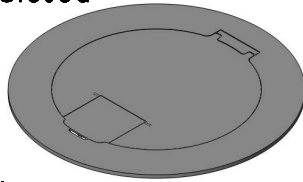


MOI6-REC-P2-DPc-C6

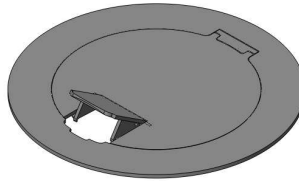
Ordering Information	Description:
Slab Thickness:	 LEW ELECTRIC FITTINGS COMPANY
Single Rec: <input type="checkbox"/> 15A <input type="checkbox"/> 20A	
Duplex Rec: <input type="checkbox"/> 15A <input type="checkbox"/> 20A	
Cover Type:	
<p align="center">Proprietary and Confidential</p> <p>The information contained in this drawing is the sole property of NOCOM. Any reproduction in part or as a whole without the written permission of NOCOM is prohibited.</p>	877-537-2019 www.lewelectric.com
	DWG. No. MOI6-REC-P2-DPc-C6

Articulated Hinge Cover with Cable Exit Door (AHC-CED)

Cover Fully Closed



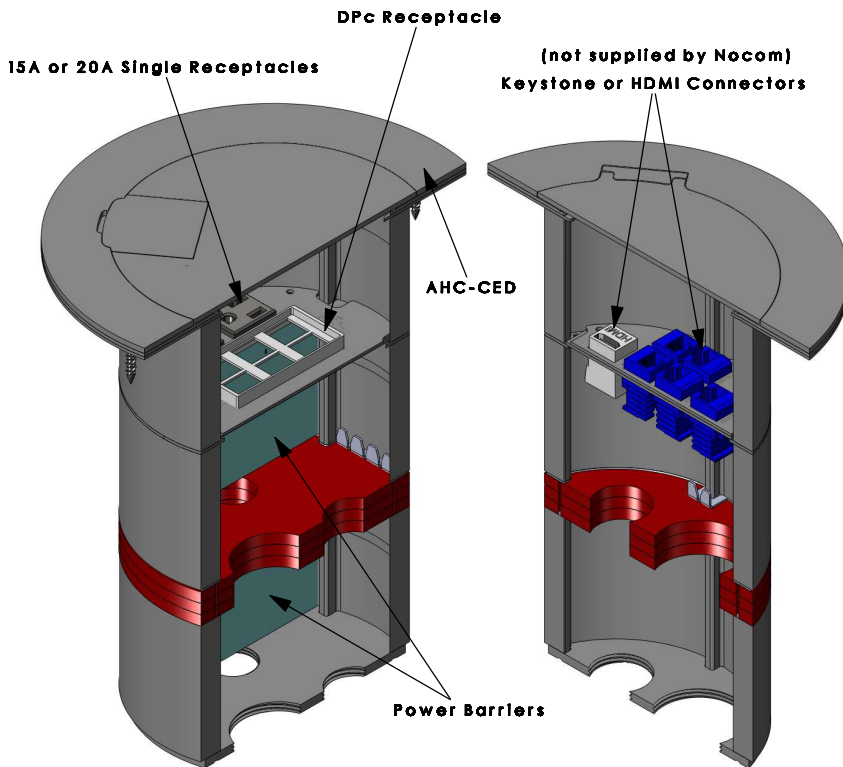
Cover CED Open



Cover Fully Open

Cover Finishes

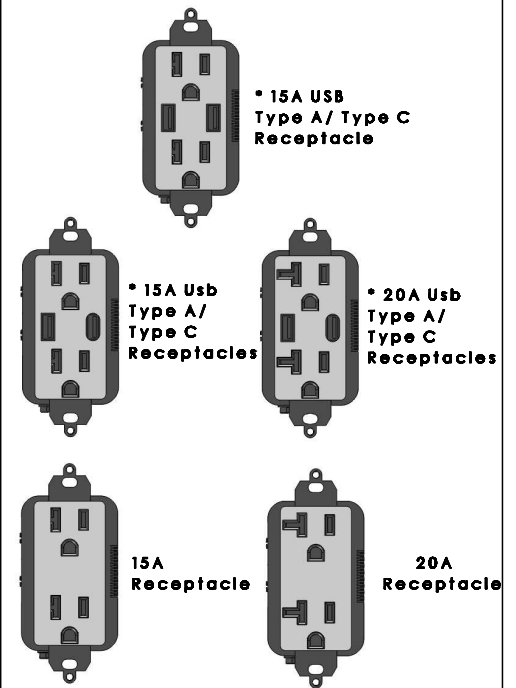
- Standard = Brushed Stainless Steel
- *Custom = Brushed Brass
or
Black Matte
- *Additional cost may apply
- *Other colours/finishes available upon request




MOI6-REC-P2-DPC-C6

(Isometric Cross Section Views)

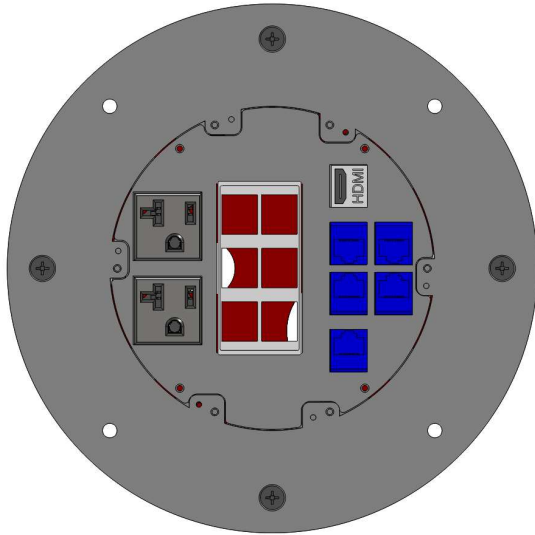
Receptacle Options



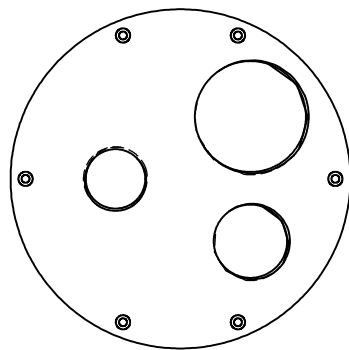
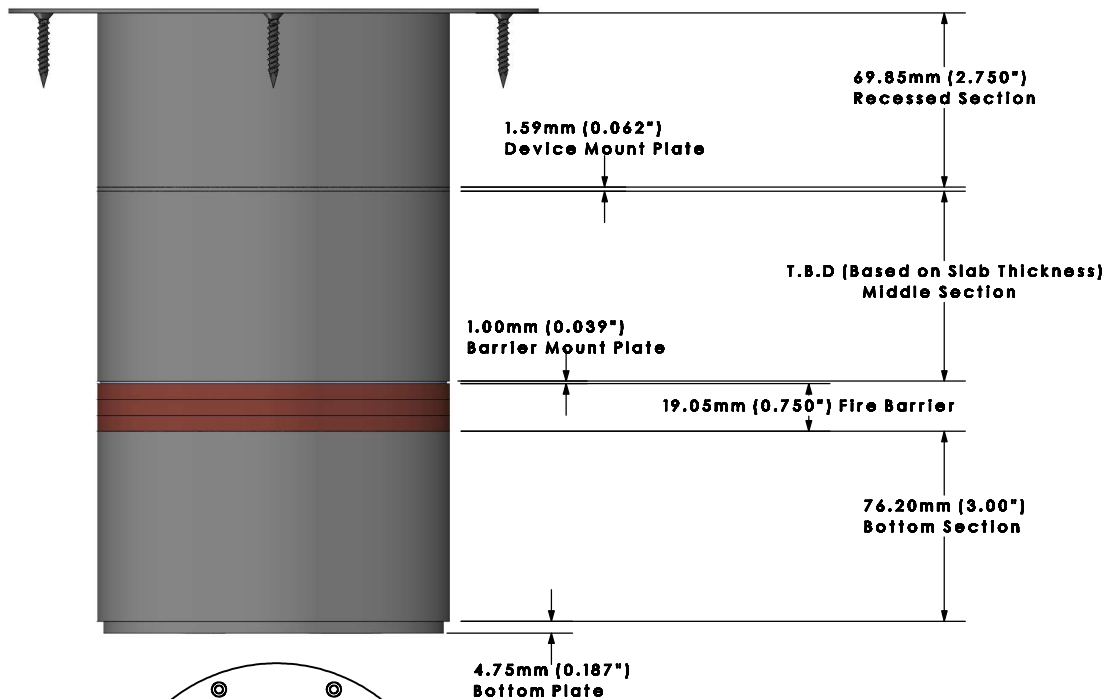
* Additional costs will apply.

Ordering Information	Description:
Slab Thickness:	 LEW ELECTRIC FITTINGS COMPANY
Single Rec: <input type="checkbox"/> 15A <input type="checkbox"/> 20A	
Duplex Rec: <input type="checkbox"/> 15A <input type="checkbox"/> 20A	
Cover Type:	
Proprietary and Confidential	
The information contained in this drawing is the sole property of NOCOM. Any reproduction in part or as a whole without the written permission of NOCOM is prohibited.	
877-537-2019 www.lewelectric.com	
DWG. No. MOI6-REC-P2-DPC-C6	

Configuration View




Power: x2
 DPC: x1
 Comm: x6



Removable Bottom Plate

- NPS 0.750"
- NPS 1.000"
- NPS 1.500"

Ordering Information	Description:
Slab Thickness: Single Rec: <input type="checkbox"/> 15A <input type="checkbox"/> 20A Duplex Rec: <input type="checkbox"/> 15A <input type="checkbox"/> 20A Cover Type: Proprietary and Confidential The information contained in this drawing is the sole property of NOCOM. Any reproduction in part or as a whole without the written permission of NOCOM is prohibited.	 877-537-2019 www.lewelectric.com DWG. No. MOI6-REC-P2-DPC-C6