
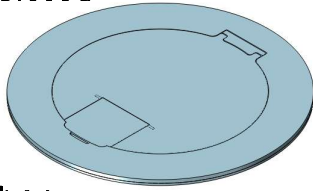


MOI6-REC-DP-C8

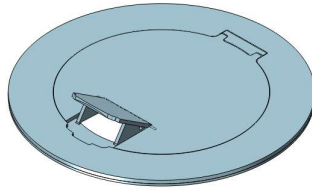
Ordering Information	Description:
Slab Thickness:	 LEW ELECTRIC FITTINGS COMPANY 877-537-2019 www.lewelectric.com
Single Rec: <input type="checkbox"/> 15A <input type="checkbox"/> 20A	
Duplex Rec: <input type="checkbox"/> 15A <input type="checkbox"/> 20A	
Cover Type:	
Proprietary and Confidential The information contained in this drawing is the sole property of NOCOM. Any reproduction in part or as a whole without the written permission of NOCOM is prohibited.	DWG. No. MOI6-REC-DP-C8

Articulated Hinge Cover with Cable Exit Door (AHC-CED)

Cover Fully Closed



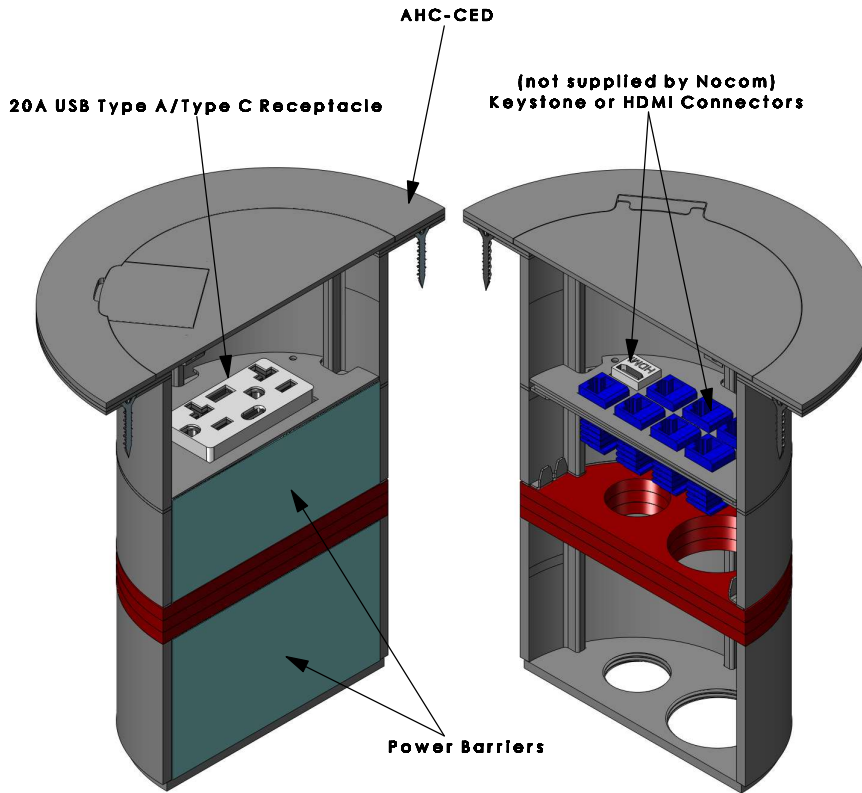
Cover CED Open



Cover Fully Open

Cover Finishes

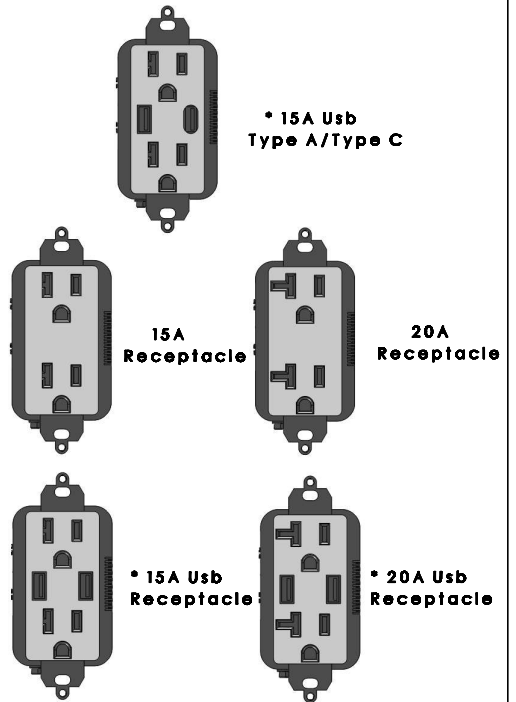
- Standard = Brushed Stainless Steel
- *Custom = Brushed Brass
- or
- Black Matte
- *Additional cost may apply
- *Other colours/finishes available upon request




MOI6-REC-DP-C8
(Isometric Cross Section Views)

(not supplied by Nocom)

Receptacle Options

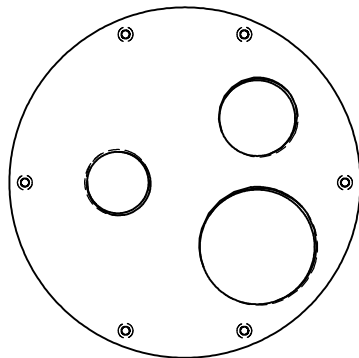
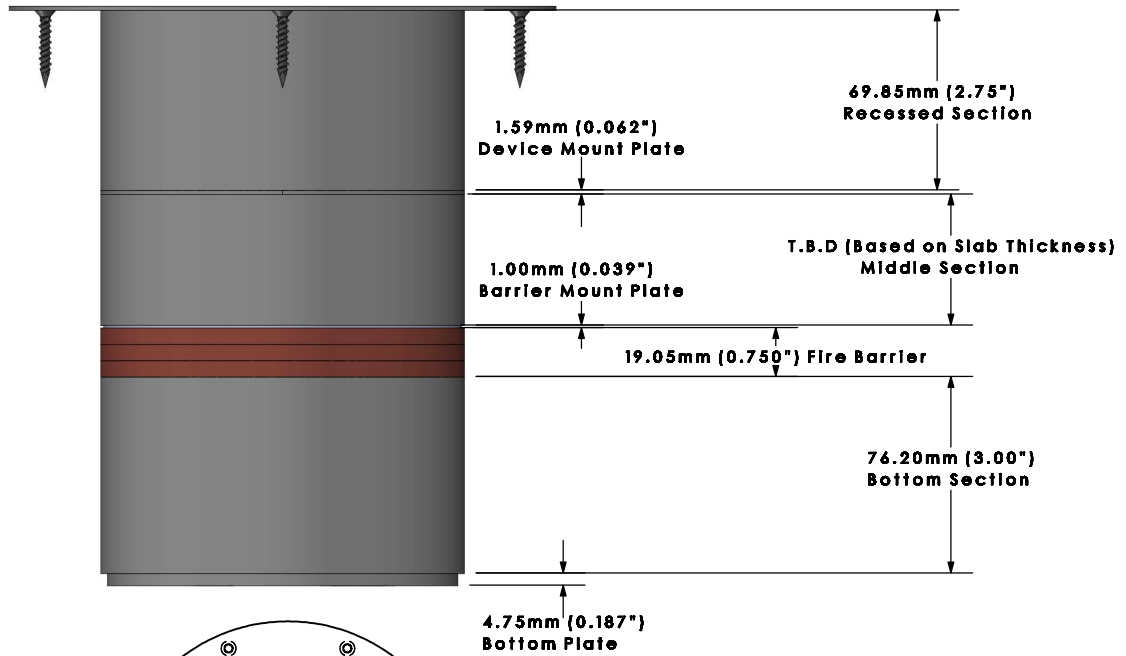
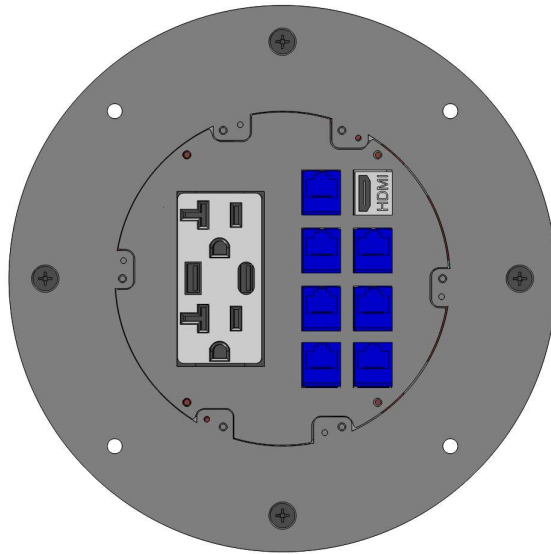


* Additional costs will apply.

Ordering Information	Description:
Slab Thickness:	 LEW ELECTRIC FITTINGS COMPANY 877-537-2019 www.lewelectric.com
Single Rec: <input type="checkbox"/> 15A <input type="checkbox"/> 20A	
Duplex Rec: <input type="checkbox"/> 15A <input type="checkbox"/> 20A	
Cover Type:	
Proprietary and Confidential	
The information contained in this drawing is the sole property of NOCOM. Any reproduction in part or as a whole without the written permission of NOCOM is prohibited.	
DWG. No. MOI6-REC-DP-C8	


Configuration View

DP: x1
Comm: x8



Removable Bottom Plate

- NPS 0.750"
- NPS 1.000"
- NPS 1.500"

Ordering Information	Description:
Slab Thickness:	 LEW ELECTRIC FITTINGS COMPANY
Single Rec: <input type="checkbox"/> 15A <input type="checkbox"/> 20A	
Duplex Rec: <input type="checkbox"/> 15A <input type="checkbox"/> 20A	
Cover Type:	
Proprietary and Confidential	
The information contained in this drawing is the sole property of NOCOM. Any reproduction in part or as a whole without the written permission of NOCOM is prohibited.	
877-537-2019 www.lewelectric.com	
DWG. No. MOI6-REC-DP-C8	