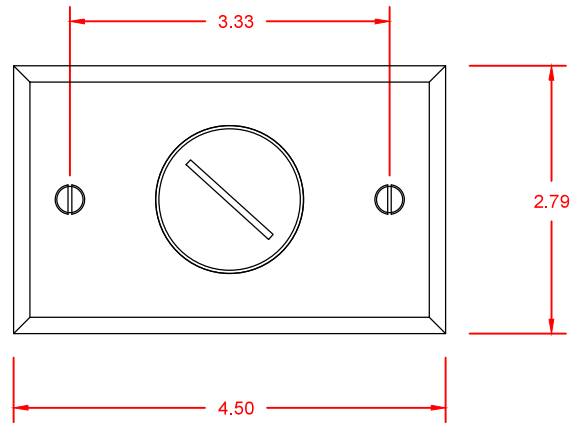
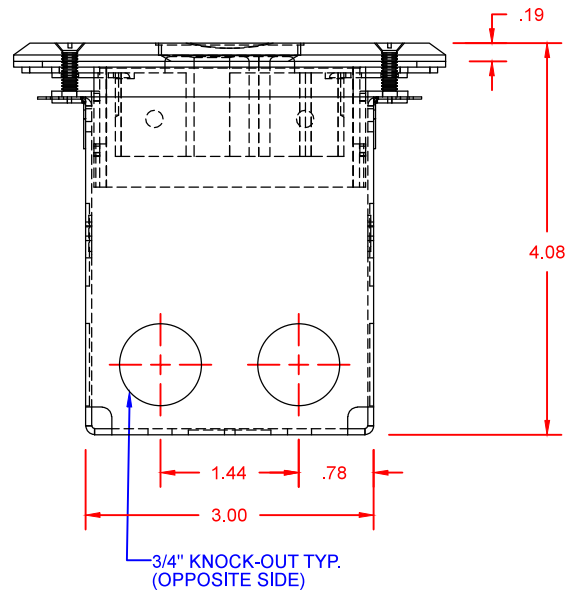


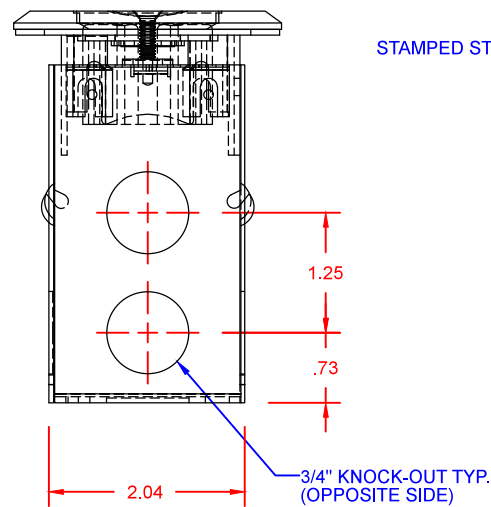
DESCRIPTION:
DARK BRONZE PLATED RECESSED FLOOR PLATE
ASSEMBLY (SINGLE RECEPTACLE WITH BOX)



TOP VIEW

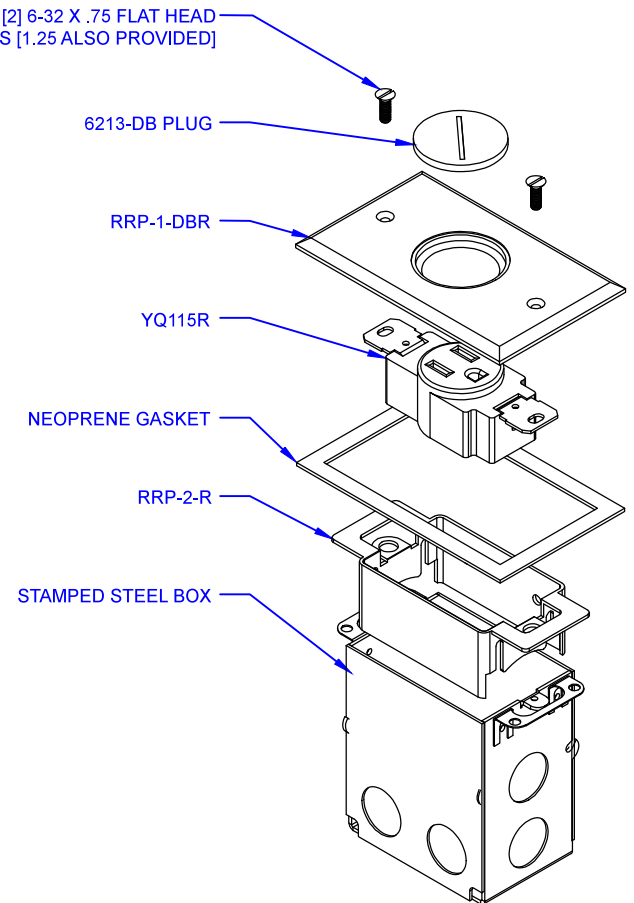


FRONT VIEW



SIDE VIEW

DARK BRONZE, [2] 6-32 X .75 FLAT HEAD
SCREWS [1.25 ALSO PROVIDED]



LEW ELECTRIC FITTINGS COMPANY
SERVING THE ELECTRICAL INDUSTRY SINCE 1901
1626 Tobacco Road, Augusta, GA 30906
PHONE: 877.537.2019

UNLESS OTHERWISE SPECIFIED:		NAME	DATE	TITLE: SWB-1-DB
DIMENSIONS ARE IN INCHES:		DRAWN	PJG 12/01/2007	
FRACTIONAL ±		REVISED	SMK 08/14/2022	SIZE DWG. NO. A 000001
TOLERANCES:		INTERPRET GEOMETRIC TOLERANCING PER:		
ANGULAR: MACH ±		COMMENTS:		
TWO PLACE DECIMAL ±		MATERIAL		REV A
THREE PLACE DECIMAL ±		FINISH		
DO NOT SCALE DRAWING		WEIGHT:		SHEET 1 OF 1