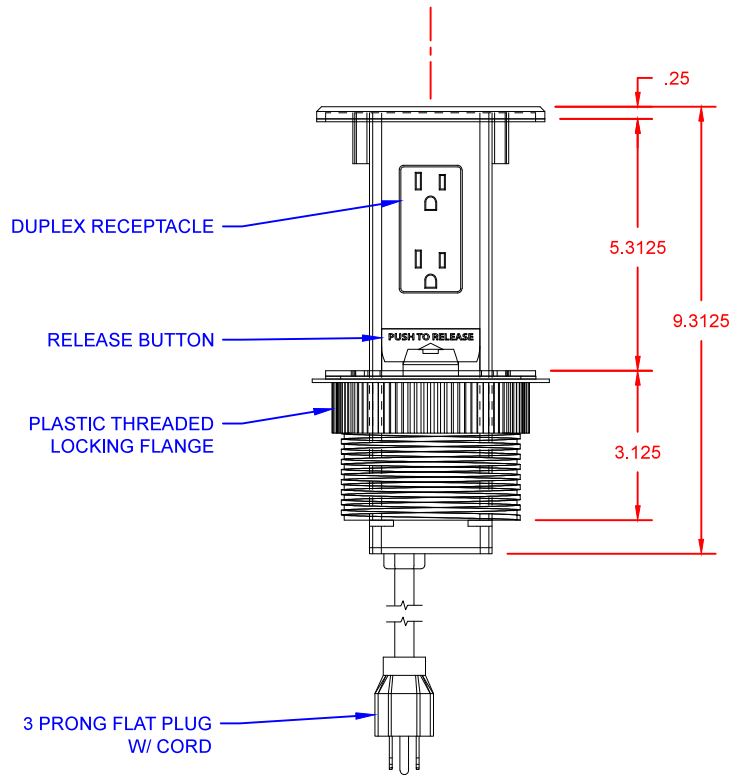
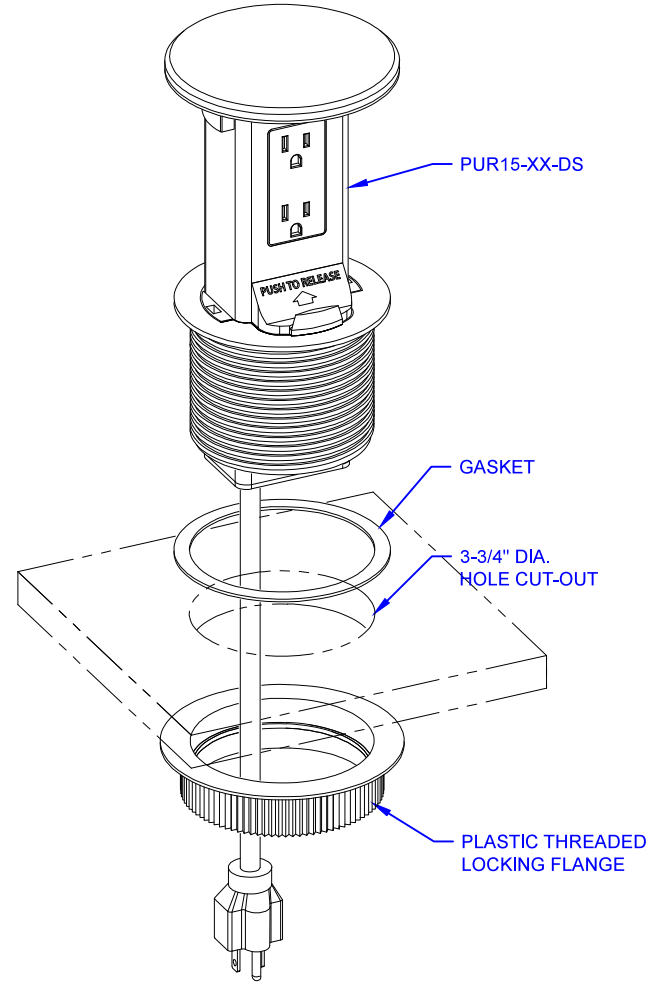



TOP VIEW



FRONT VIEW





LEW ELECTRIC FITTINGS COMPANY
SERVING THE ELECTRICAL INDUSTRY SINCE 1901

371 Randy Rd, Carol Stream, IL 60188
PHONE: 630.665.2075

UNLESS OTHERWISE SPECIFIED:		NAME	DATE	TITLE: PUR15-XX-DS
DIMENSIONS ARE IN INCHES:		DRAWN	SMK	
FRACTIONAL ±				SIZE DWG. NO. A 000001
TOLERANCES:				
ANGULAR: MACH ± BEND ±				
TWO PLACE DECIMAL ±				REV A
THREE PLACE DECIMAL ±				
INTERPRET GEOMETRIC TOLERANCING PER:		COMMENTS:		WEIGHT: SHEET 1 OF 1
MATERIAL:				
FINISH:				
DO NOT SCALE DRAWING				