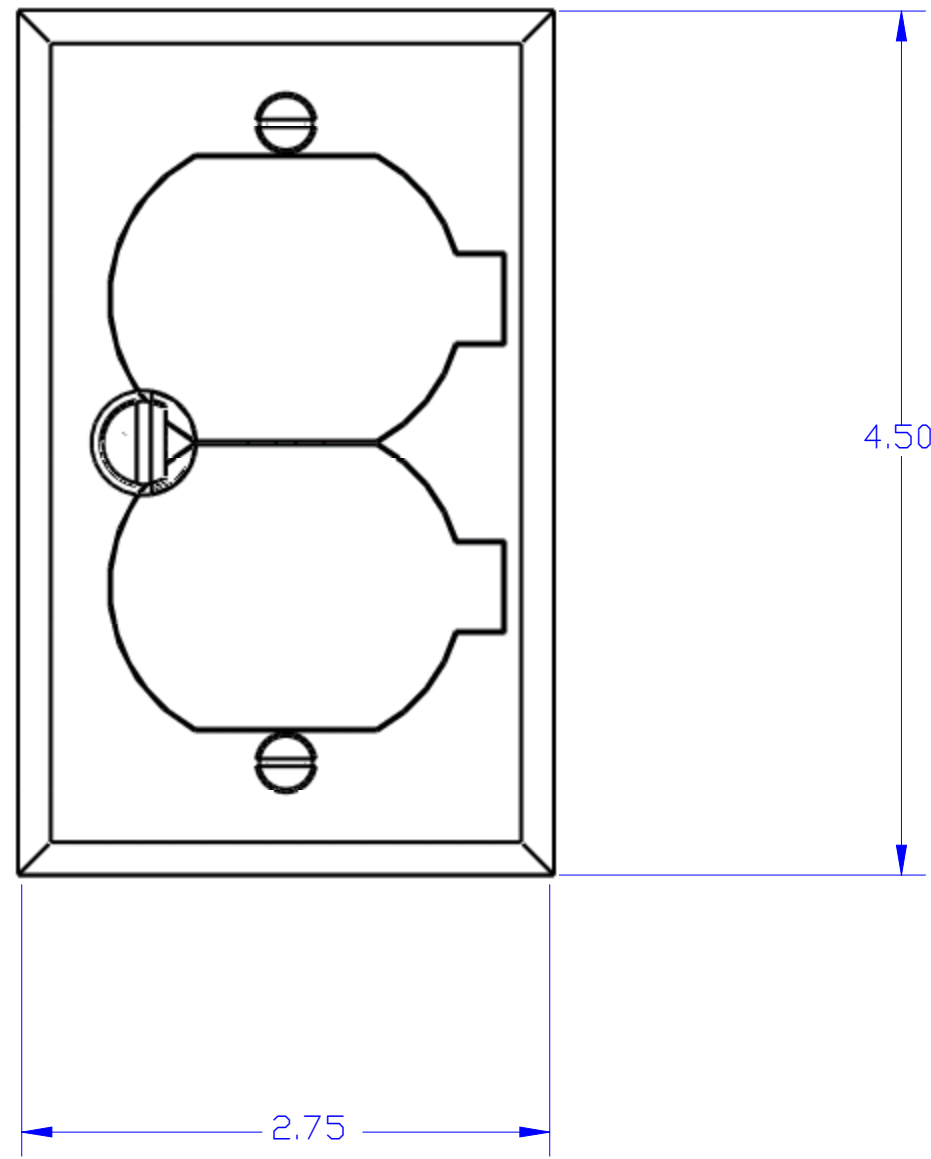


DESCRIPTION:
 ALUMINUM, RECESSED FLOOR PLATE FLIP LID
 ASSEMBLY (DUPLEX RECEPTACLE)

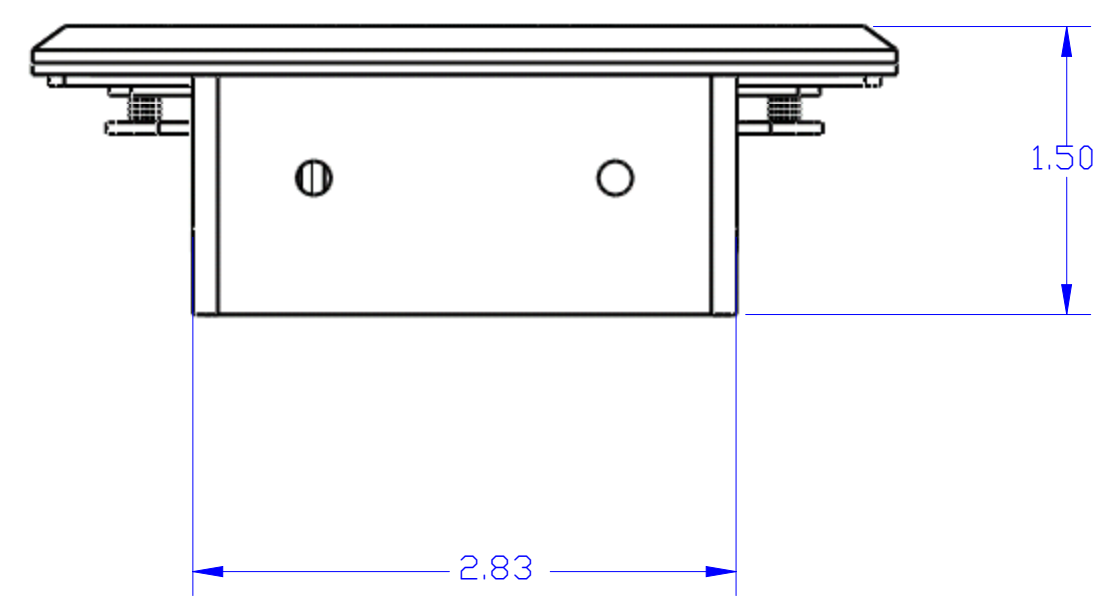
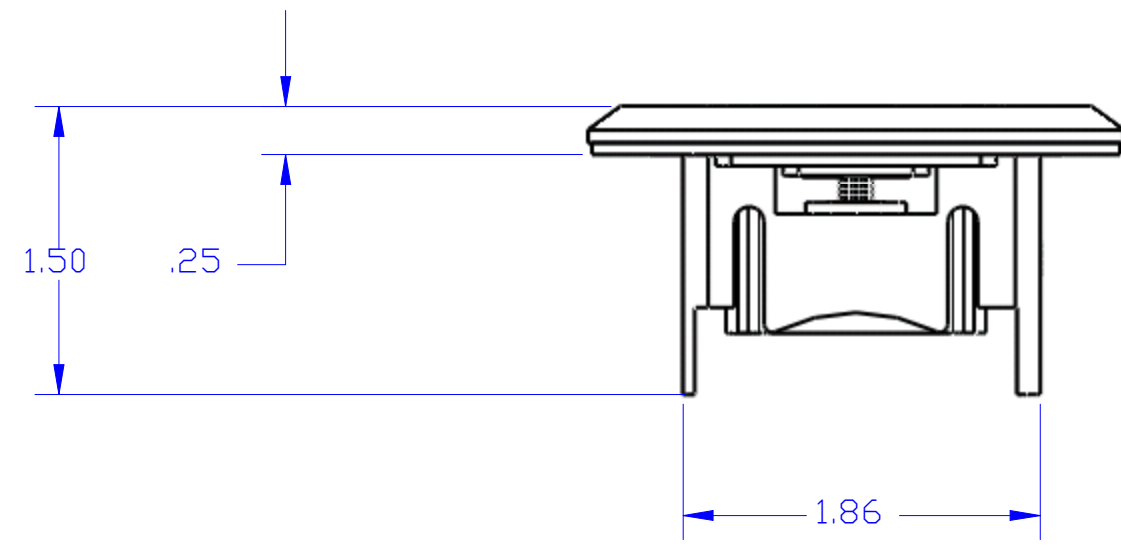
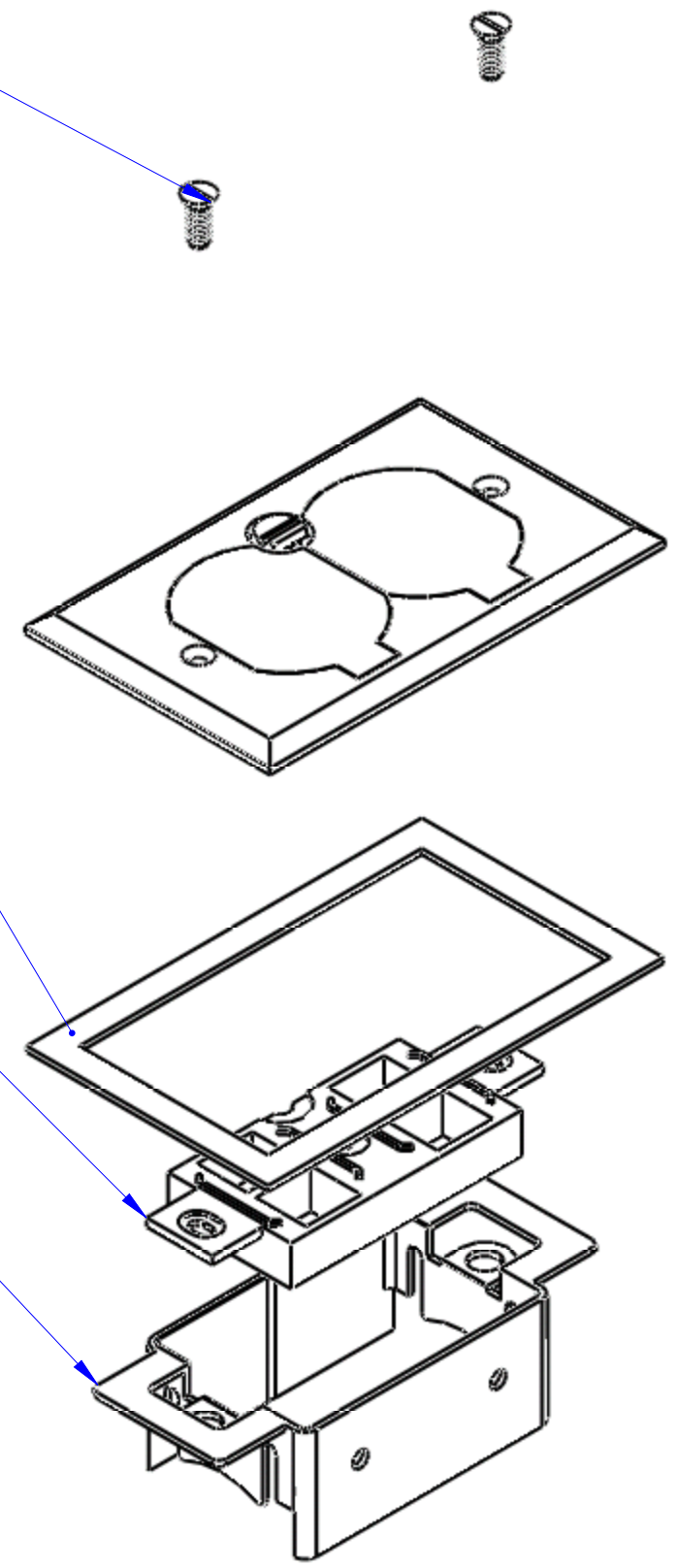


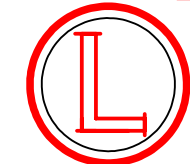
ALUMINUM, [2] 6-32 X
 .75 FLAT HEAD SCREW
 [1.25 ALSO PROVIDED]

NEOPRENE GASKET

RRP-2-PQ

RRP-2-R





**LEW ELECTRIC
 FITTINGS COMPANY**
 SERVING THE ELCTRICAL INDUSTRY SINCE 1901
 1801 W. St. Charles Rd. Maywood, IL 60153
 PHONE: 708-345-2075

UNLESS OTHERWISE SPECIFIED:	NAME	DATE	
DIMENSIONS ARE IN INCHES TOLERANCES: FRACTIONAL ± ANGULAR: MACH ± BEND ± TWO PLACE DECIMAL ± THREE PLACE DECIMAL ±	DRAWN	P.J.G.	11/30/2007
INTERPRET GEOMETRIC TOLERANCING PER: MATERIAL	COMMENTS:		
FINISH			
DO NOT SCALE DRAWING	TITLE: RRP-2-LR-A-T		REV A
	SIZE C	DWG. NO. 1001110	SHEET 11 OF 12