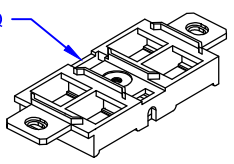


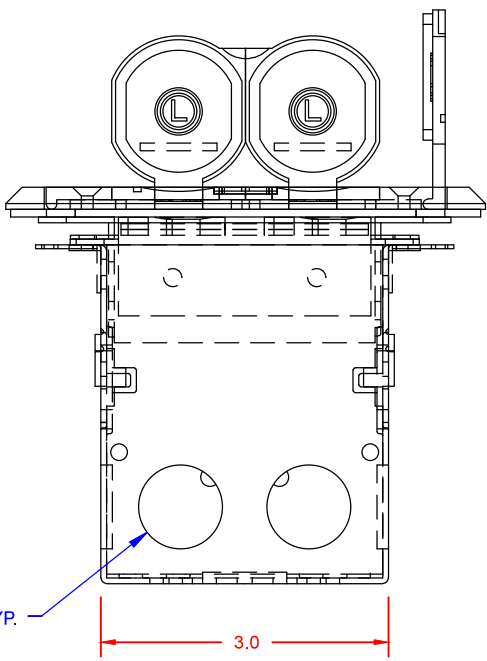
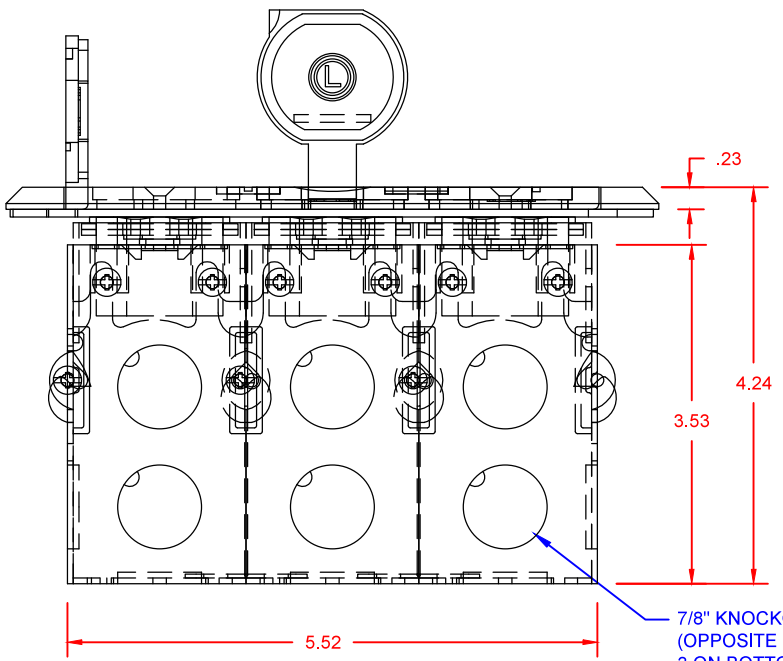
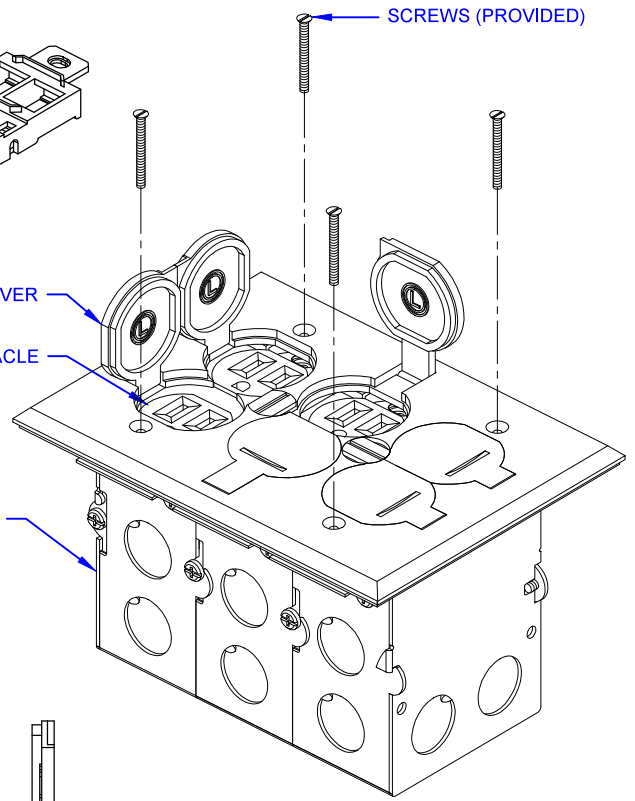
OPTIONAL RRP2-PQ
QUAD PORT DATA
DEVICE




SCREWS (PROVIDED)

FLIP COVER
DUPLEX RECEPTACLE

FLOOR BOX



7/8" KNOCKOUT TYP.
(OPPOSITE SIDE &
3 ON BOTTOM)



LEW ELECTRIC FITTINGS COMPANY

SERVING THE ELECTRICAL INDUSTRY SINCE 1901

371 Randy Rd, Carol Stream, IL 60188
PHONE: 630.665.2075

UNLESS OTHERWISE SPECIFIED:		NAME	DATE
DIMENSIONS ARE IN INCHES		DRAWN	SMK
TOLERANCES:			
FRACTIONAL ±			
ANGULAR: MACH ±			
TWO PLACE DECIMAL ±			
THREE PLACE DECIMAL ±			
INTERPRET GEOMETRIC TOLERANCING PER:		COMMENTS:	
MATERIAL			
FINISH			
DO NOT SCALE DRAWING			
TITLE:		SWB-6-LR	
SIZE	DWG. NO.	REV	
A	000001	A	
WEIGHT:		SHEET 1 OF 1	