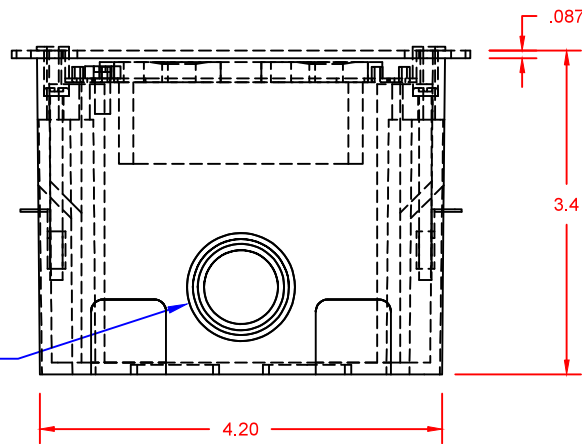
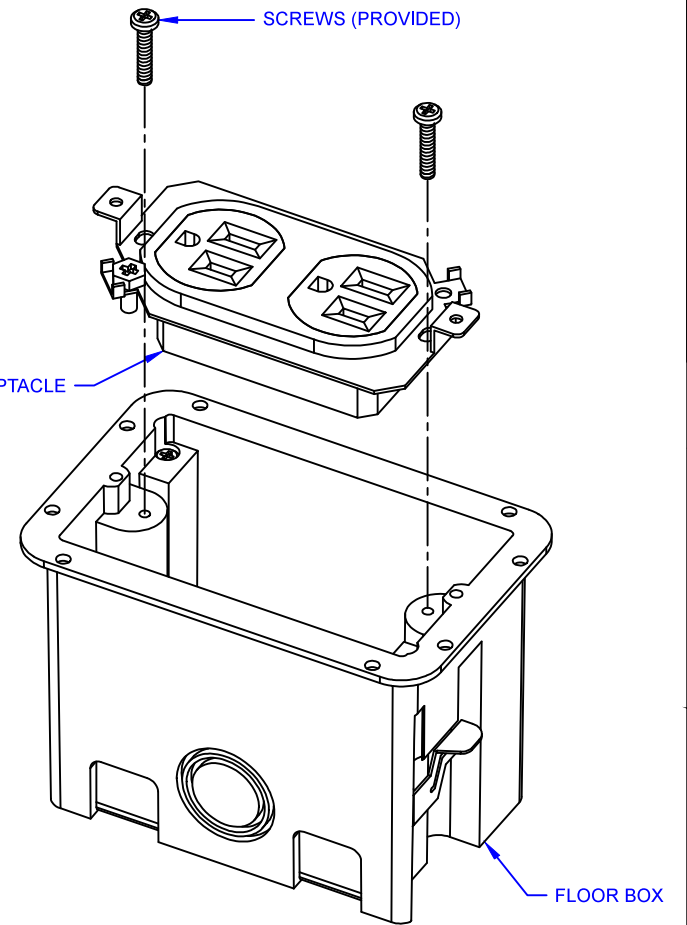
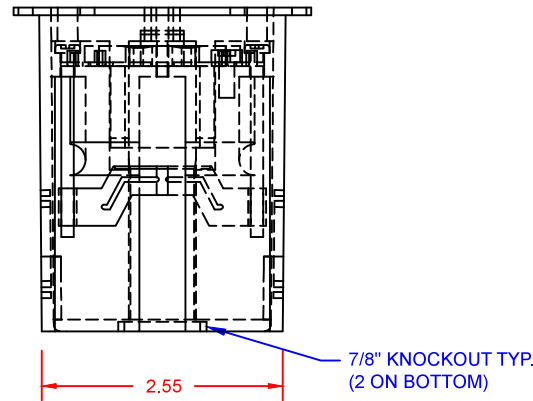



TOP VIEW



FRONT VIEW



SIDE VIEW



LEW ELECTRIC FITTINGS COMPANY
SERVING THE ELECTRICAL INDUSTRY SINCE 1901
371 Randy Rd, Carol Stream, IL 60188
PHONE: 630.665.2075

UNLESS OTHERWISE SPECIFIED:	DRAWN	NAME	DATE	TITLE: 1101-PB
DIMENSIONS ARE IN INCHES	SMK			
TOLERANCES:				SIZE DWG. NO. REV A 000001 A
FRACTIONAL ±				
ANGULAR: MACH ± BEND ± TWO PLACE DECIMAL ± THREE PLACE DECIMAL ±				
INTERPRET GEOMETRIC TOLERANCING PER:	COMMENTS:			WEIGHT: SHEET 1 OF 1
MATERIAL				
FINISH				
DO NOT SCALE DRAWING				