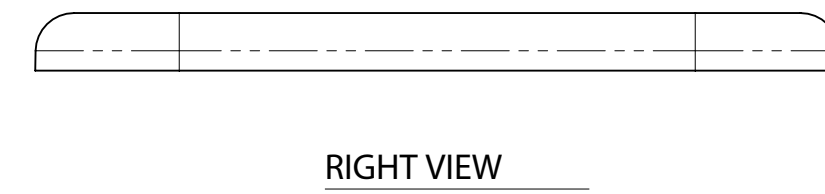
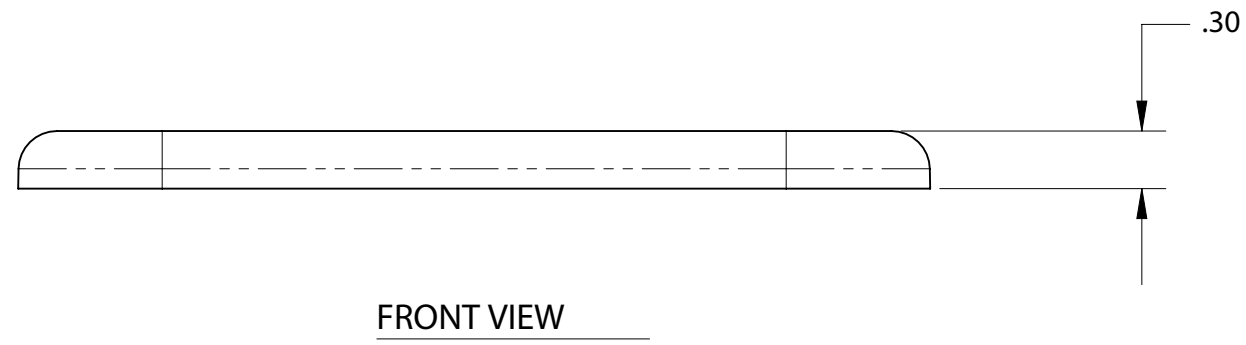
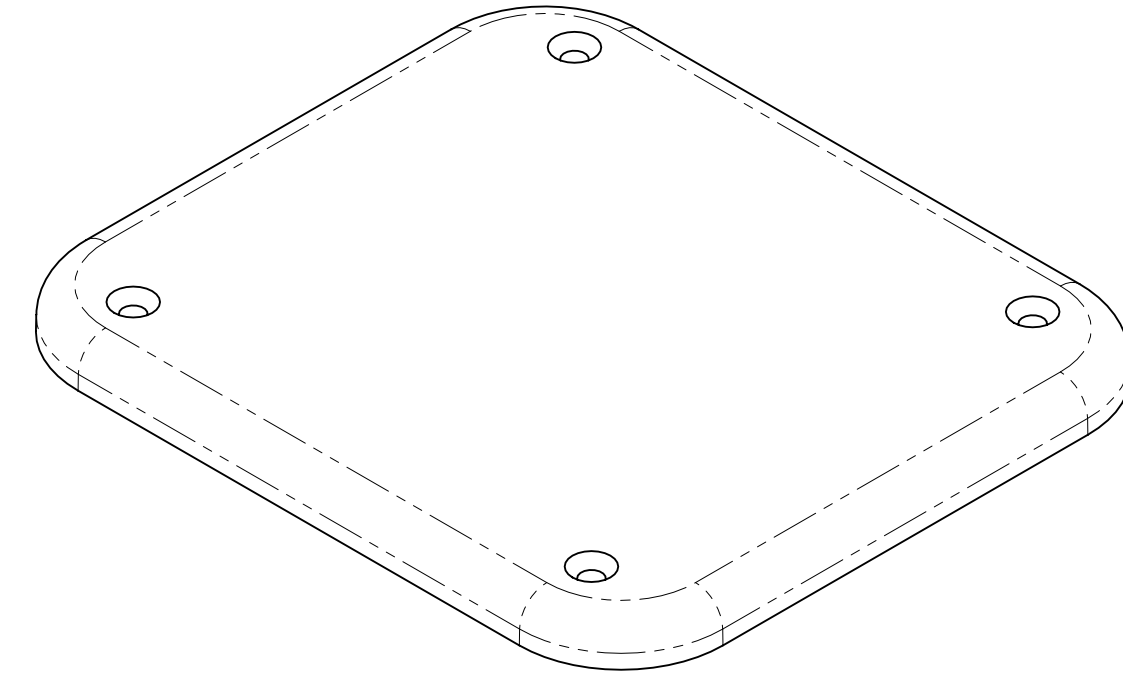
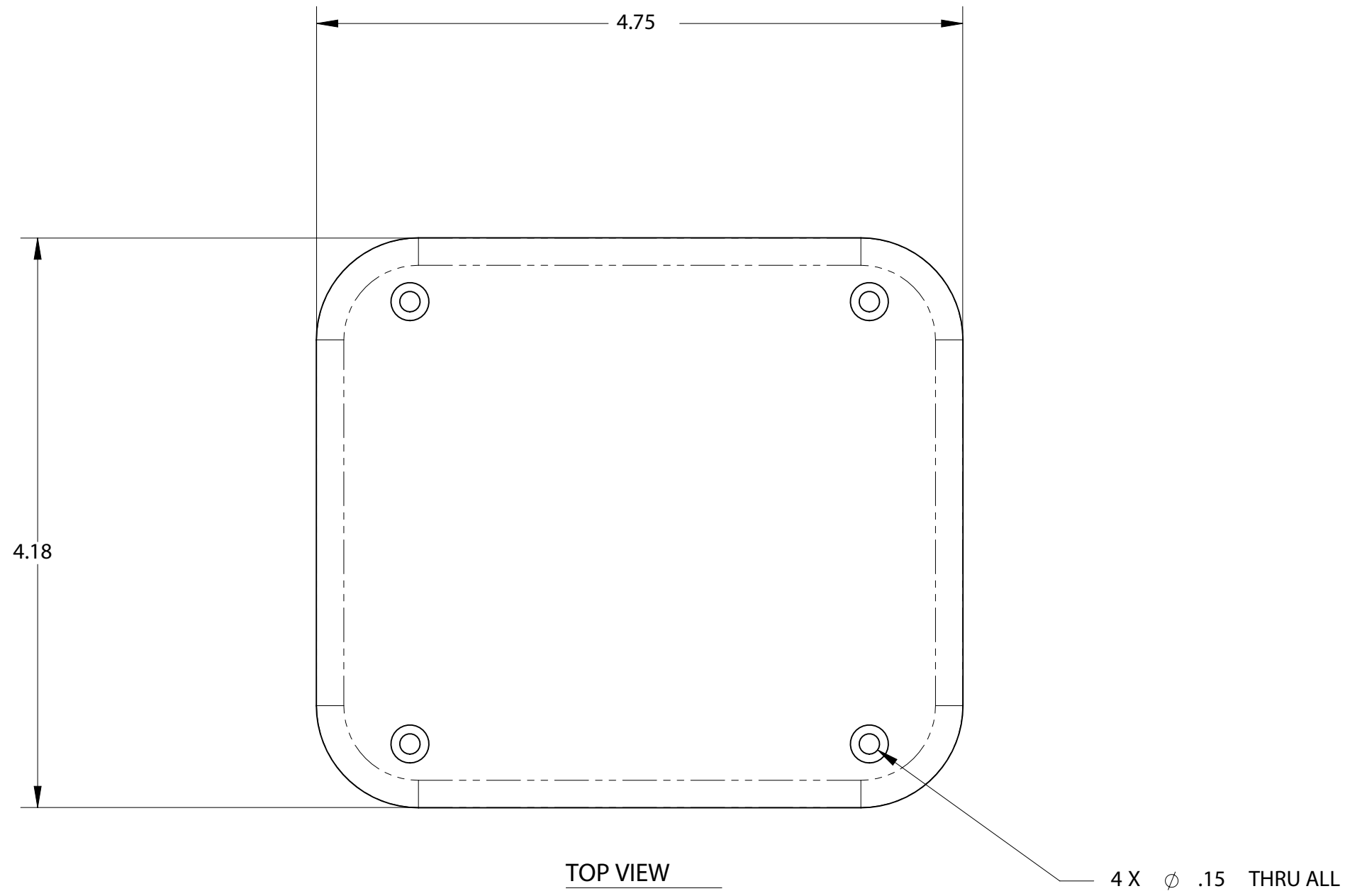
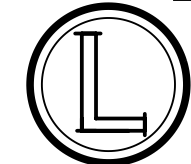


DESCRIPTION:  
Blank nozzle plate.





**LEW ELECTRIC  
FITTINGS COMPANY**

SERVING THE ELECTRICAL INDUSTRY SINCE 1901

371 RANDY ROAD, CAROL STREAM, IL 60188

PHONE: 630-665-2075

UNLESS OTHERWISE SPECIFIED:	DRAWN	NAME	DATE	<p>TITLE:</p> <p style="font-size: 16px; font-weight: bold;">112-A</p>
DIMENSIONS ARE IN INCHES	P.J.G		12/5/2008	
TOLERANCES:				
FRACTIONAL ±				
ANGULAR: MACH ±				
BEND ±				
TWO PLACE DECIMAL ±				
THREE PLACE DECIMAL ±				
INTERPRET GEOMETRIC TOLERANCING PER:	COMMENTS:			
MATERIAL				
FINISH				
DO NOT SCALE DRAWING	SIZE	DWG. NO.	REV	
	C		A	
	WEIGHT:	SHEET 4 OF 13		