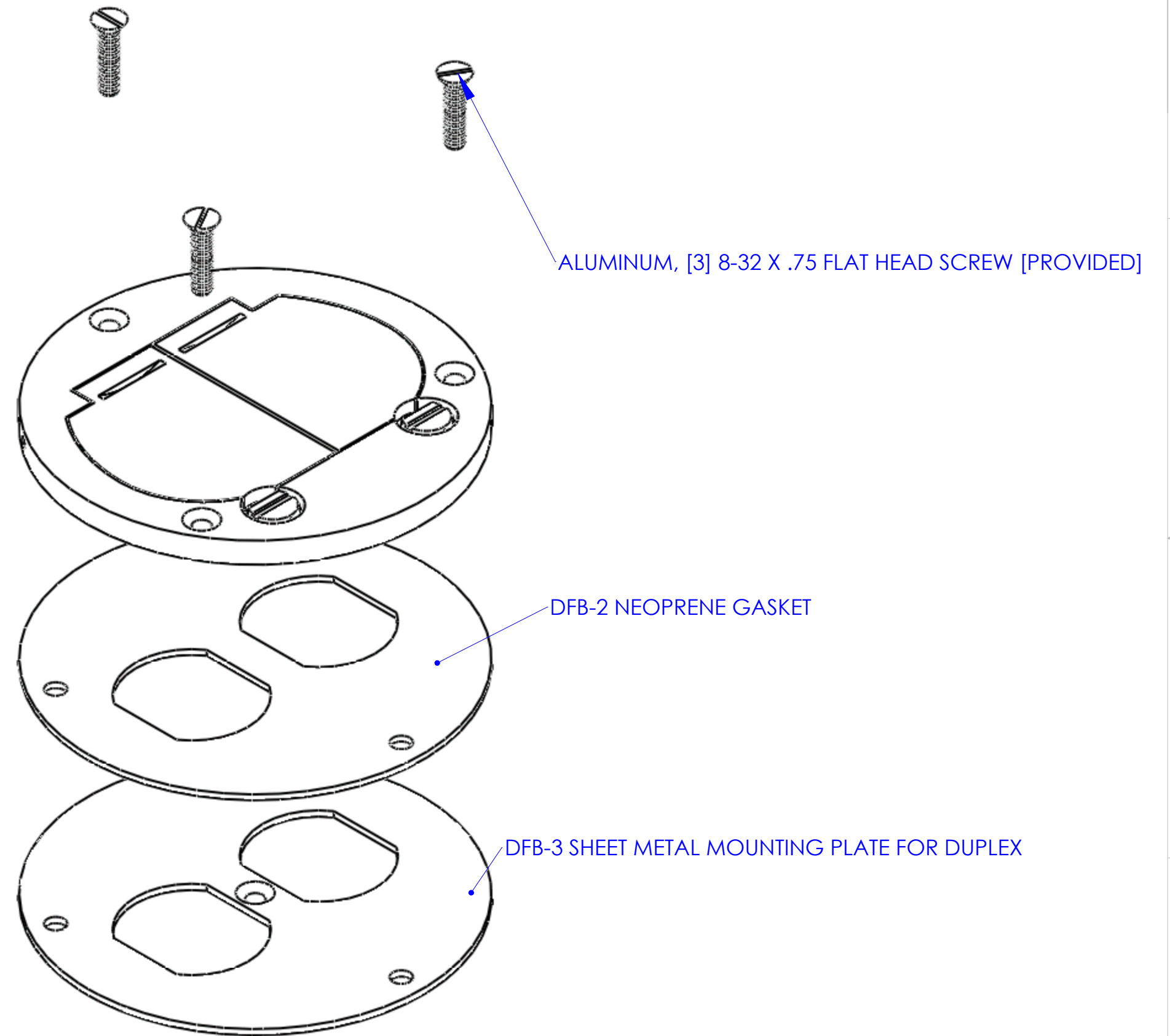
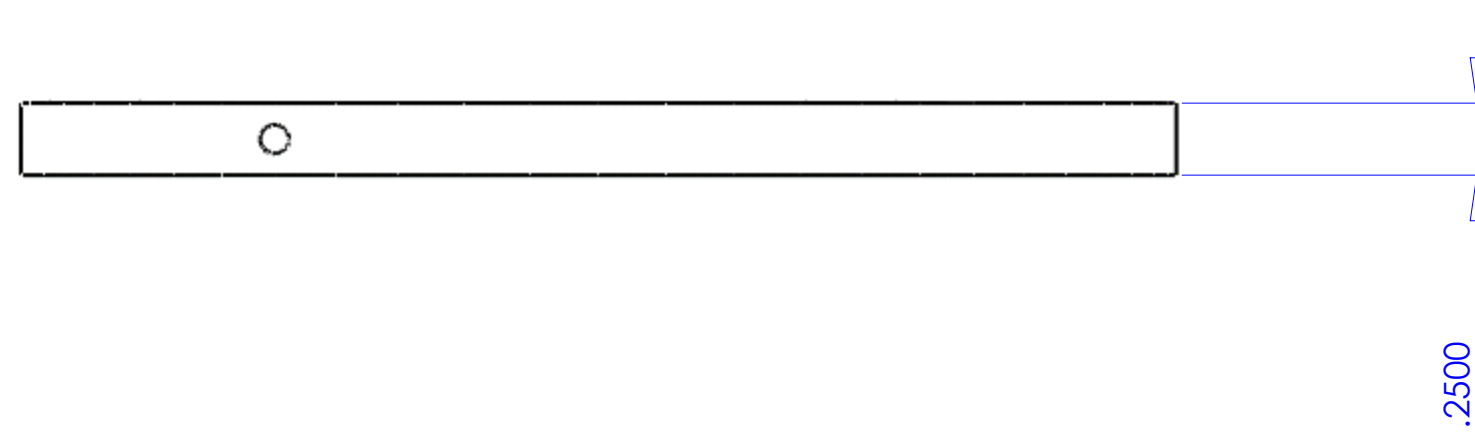
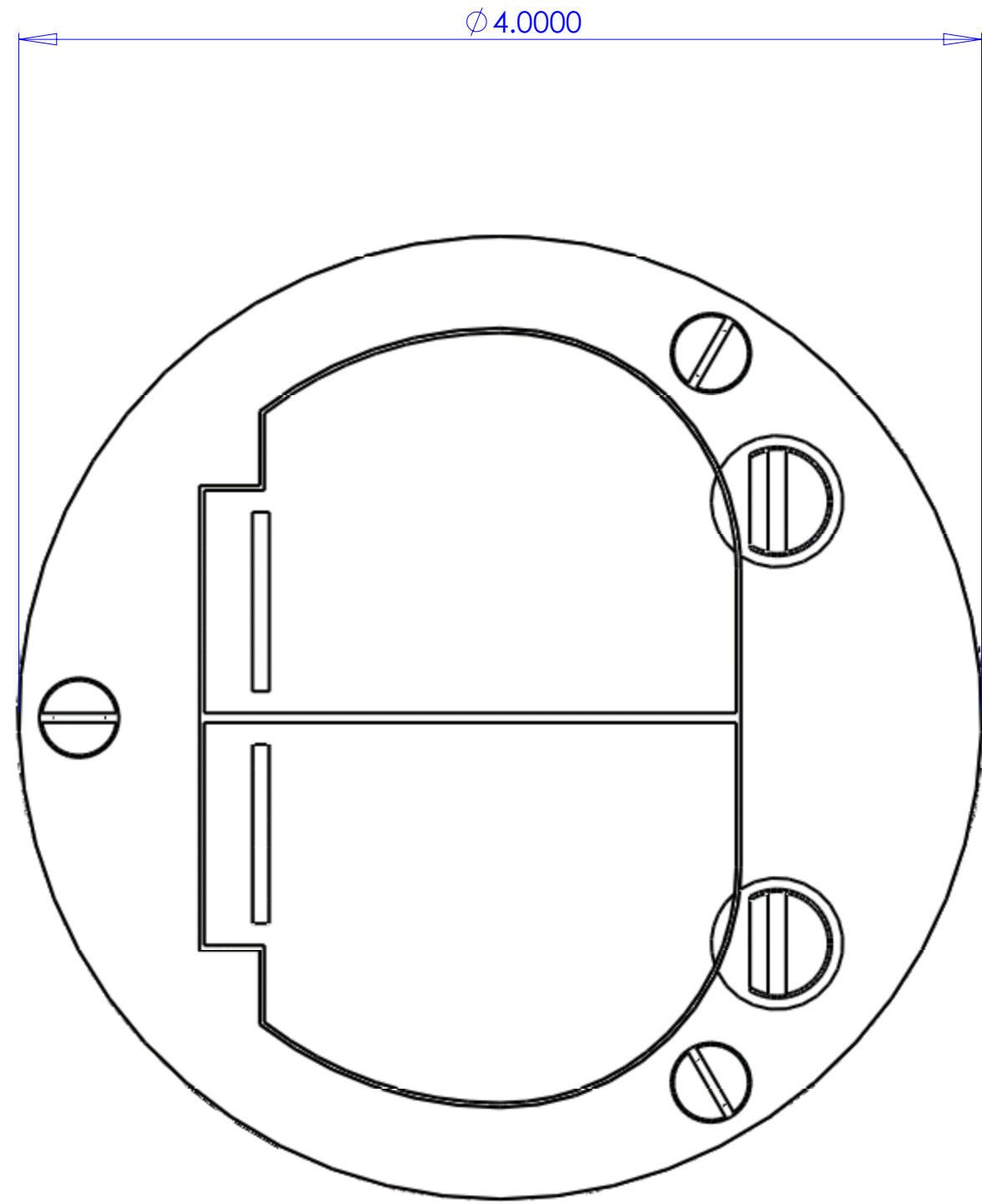
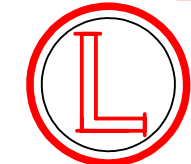


DESCRIPTION:  
ALUMINUM, DUAL HINGED 4" COVER (1/4" THICK) FOR  
DUPLEX





**LEW ELECTRIC**  
**FITTINGS COMPANY**  
SERVING THE ELECTRICAL INDUSTRY SINCE 1901  
371 Randy Rd, Carol Stream IL 60188  
PHONE: 630-665-2075

UNLESS OTHERWISE SPECIFIED:		NAME	DATE	<b>TITLE:</b> <b>DFB-LR-A</b>
DIMENSIONS ARE IN INCHES		DRAWN	P.J.G	
TOLERANCES:				
FRACTIONAL ± ANGULAR: MATCH ± BEND ± TWO PLACE DECIMAL ± THREE PLACE DECIMAL ±				
INTERPRET GEOMETRIC TOLERANCING PER:		COMMENTS:		<b>SIZE</b> DWG. NO. <b>REV</b> <b>C</b> 100116 <b>A</b>
MATERIAL:				
FINISH:				
DO NOT SCALE DRAWING		WEIGHT:		SHEET 8 OF 13