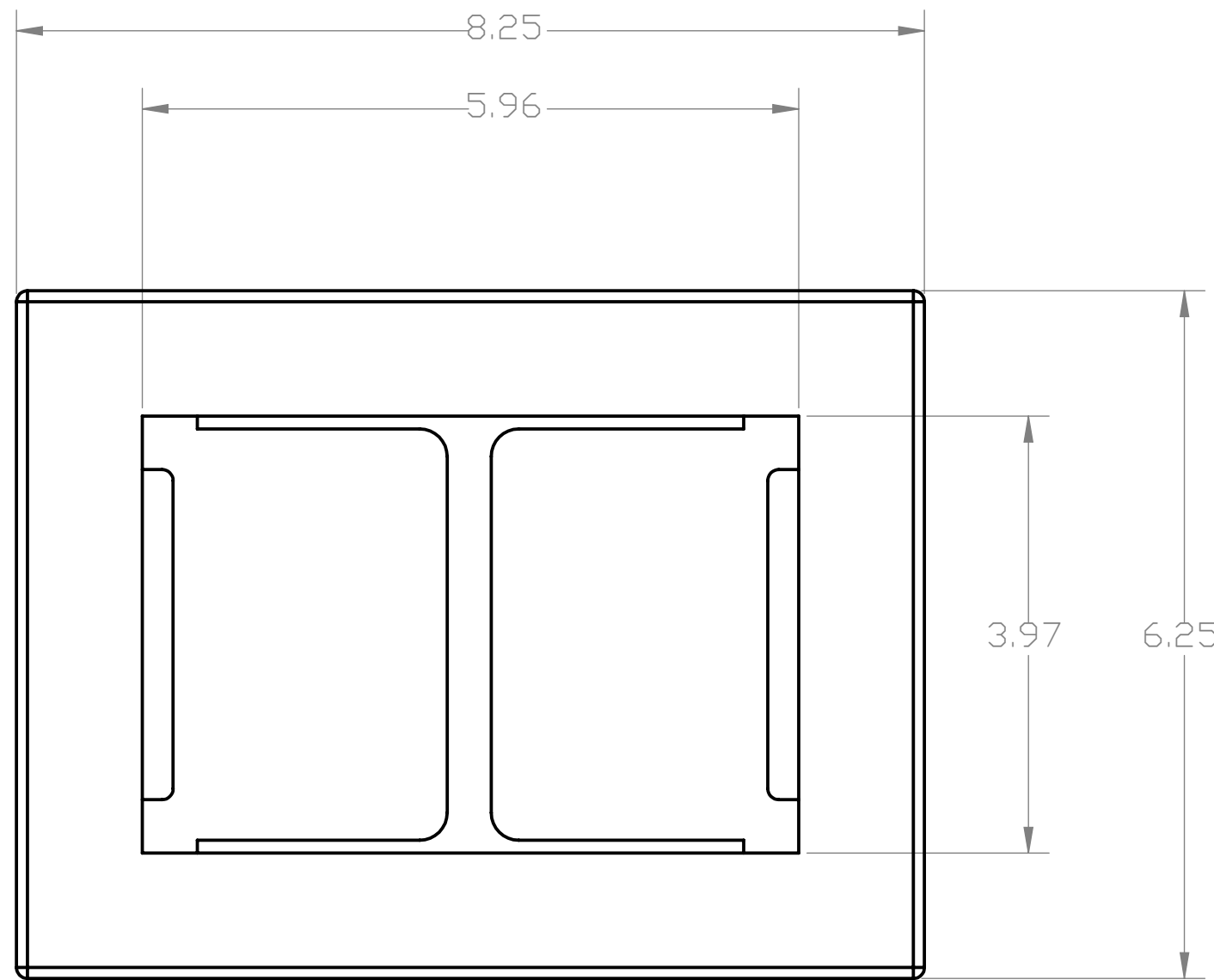
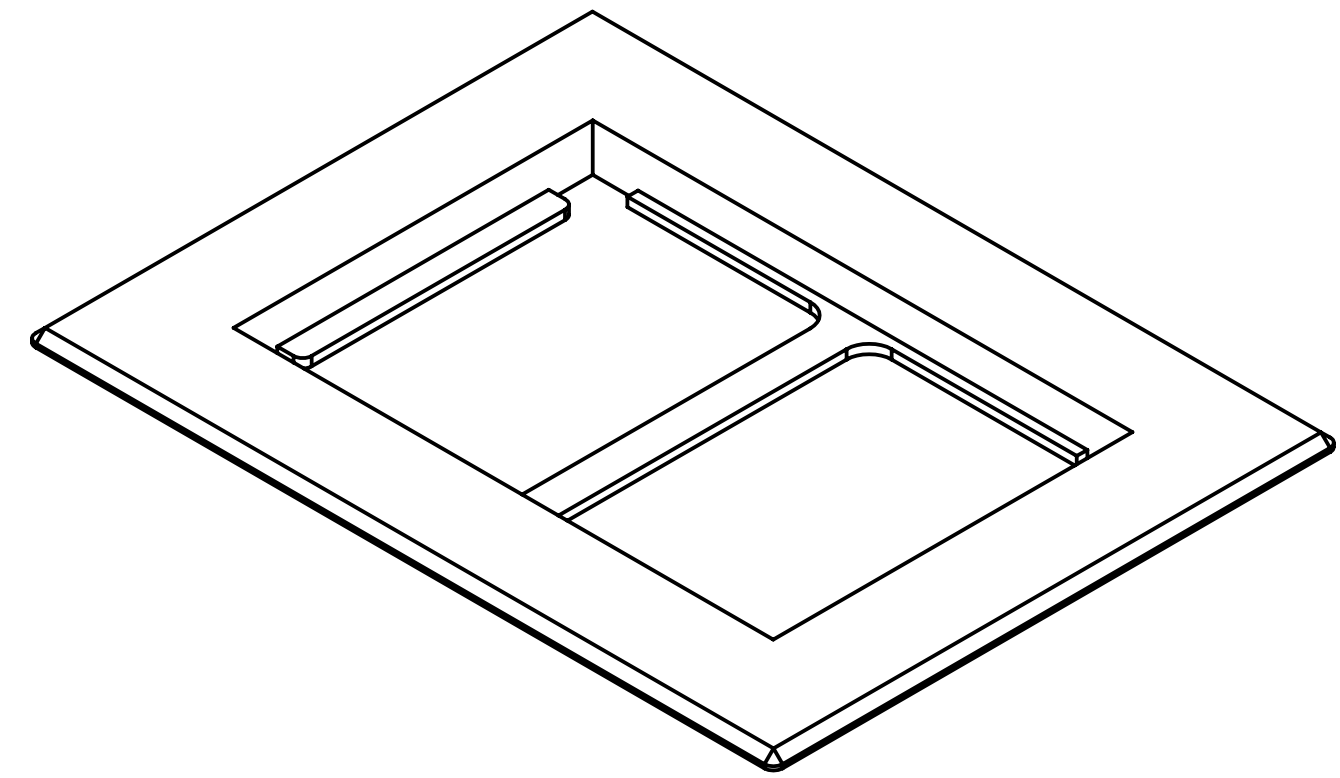


DESCRIPTION:
 TWO GANG BRASS CARPET FLANGE, 6 1/4" X 8 1/4"

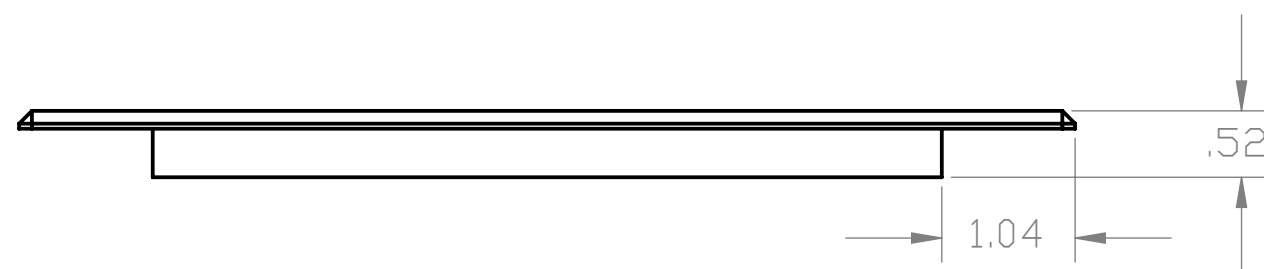
BRASS[8] 8/32 X 1.23 MOUNTING SCREWS INCLUDED



TOP VIEW



ISOMETRIC VIEW



FRONT VIEW

LEW ELECTRIC
FITTINGS COMPANY
 SERVING THE ELCTRICAL INDUSTRY SINCE 1901
 1801 W. St. Charles Rd. Maywood, IL 60153
 PHONE: 708-345-2075

UNLESS OTHERWISE SPECIFIED:	NAME	DATE	TITLE: CF-1102-DFB
DIMENSIONS ARE IN INCHES	DRAWN	2/18/2013	
TOLERANCES:			SIZE DWG. NO. REV C A
FRACTIONAL ±			
ANGULAR: MATCH ± BEND ±			
TWO PLACE DECIMAL ±			
THREE PLACE DECIMAL ±			WEIGHT: SHEET 4 OF 8
INTERPRET GEOMETRIC TOLERANCING PER:	COMMENTS:		
MATERIAL			
FINISH			
DO NOT SCALE DRAWING			