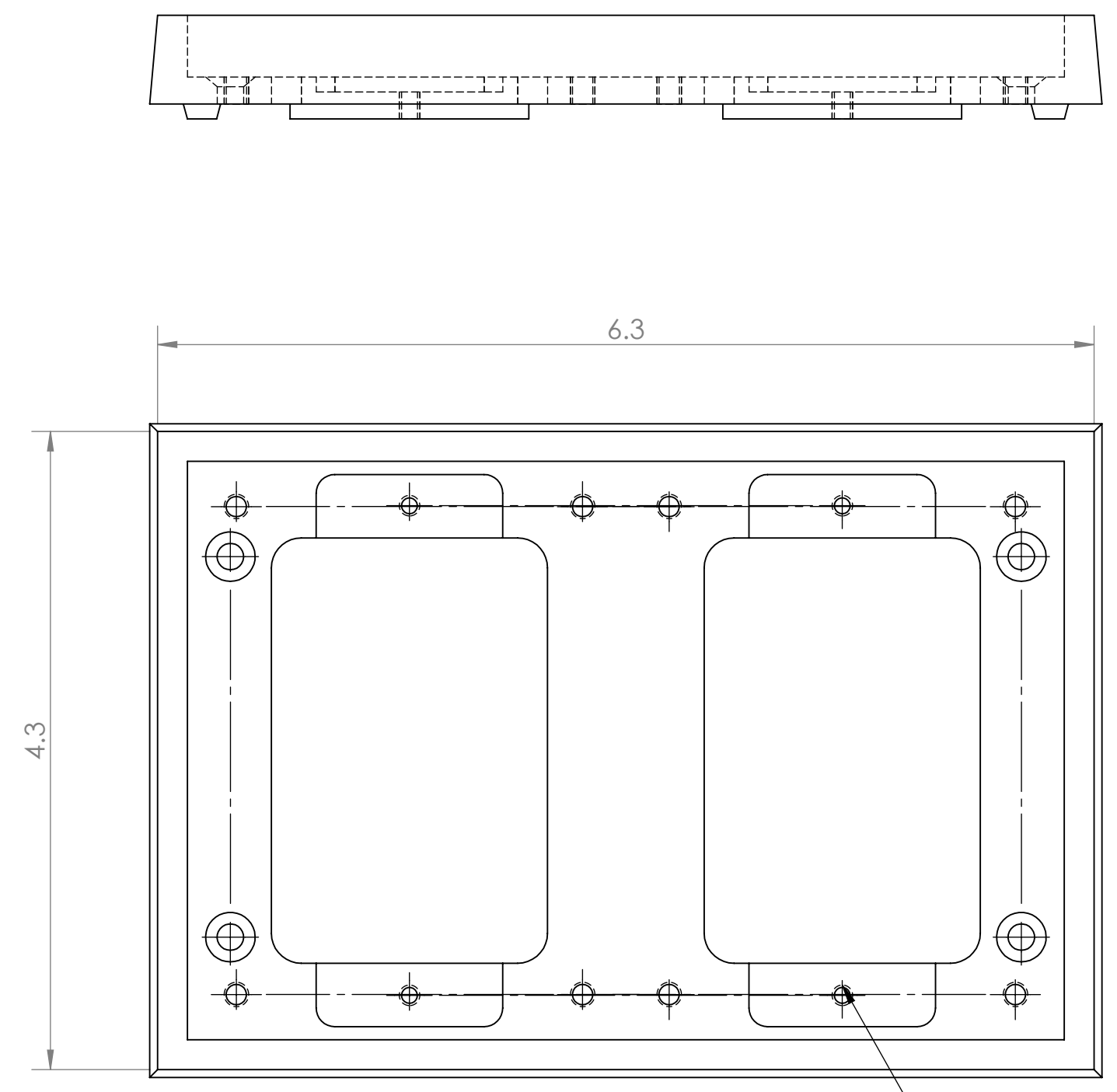
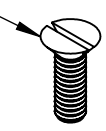
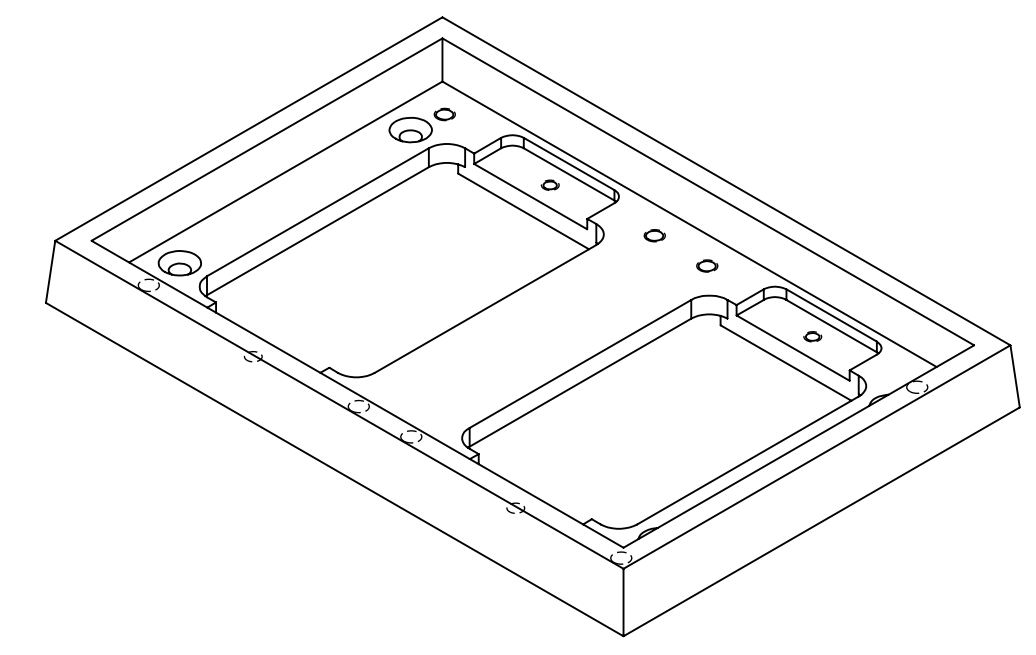


DESCRIPTION:
Two gang, brass tile frame 6 3/8" L x 4 3/8" W

8-32 X .75 Brass Screw



#6-32 Tapped Hole



LEW ELECTRIC
FITTINGS COMPANY
SERVING THE ELCTRICAL INDUSTRY SINCE 1901
1801 W. St. Charles Rd. Maywood, IL 60153
PHONE: 708-345-2075

UNLESS OTHERWISE SPECIFIED:	NAME	DATE	TITLE: 1102-DBE-B
DIMENSIONS ARE IN INCHES	DRAWN	P.J.G. 9/12/2012	
TOLERANCES: FRACTIONAL ± ANGULAR: MATCH ± BEND ± TWO PLACE DECIMAL ± THREE PLACE DECIMAL ±			SIZE DWG. NO. REV C -
INTERPRET GEOMETRIC TOLERANCING PER:	COMMENTS:		
MATERIAL			WEIGHT:
FINISH			SHEET 10 OF 12
DO NOT SCALE DRAWING			