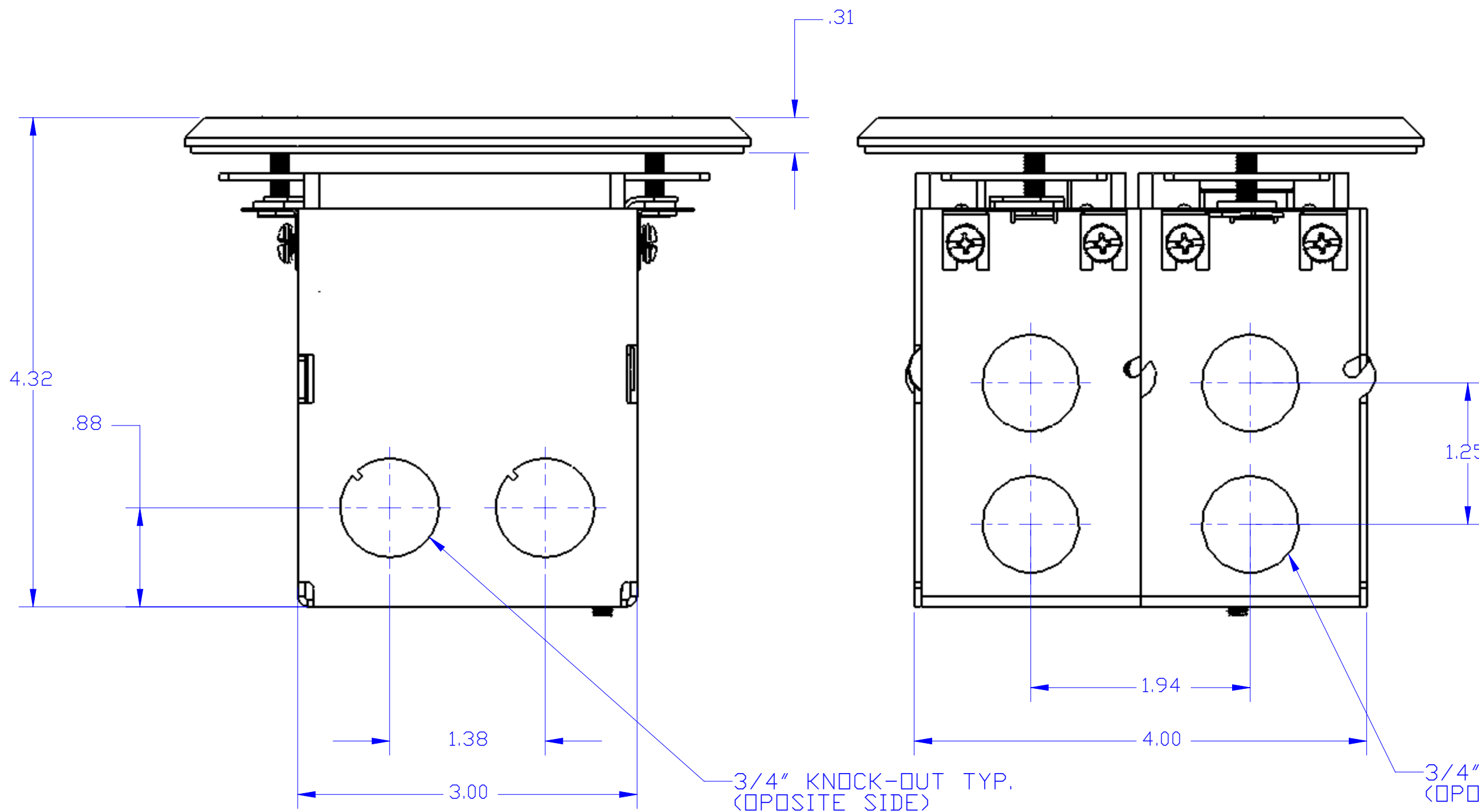
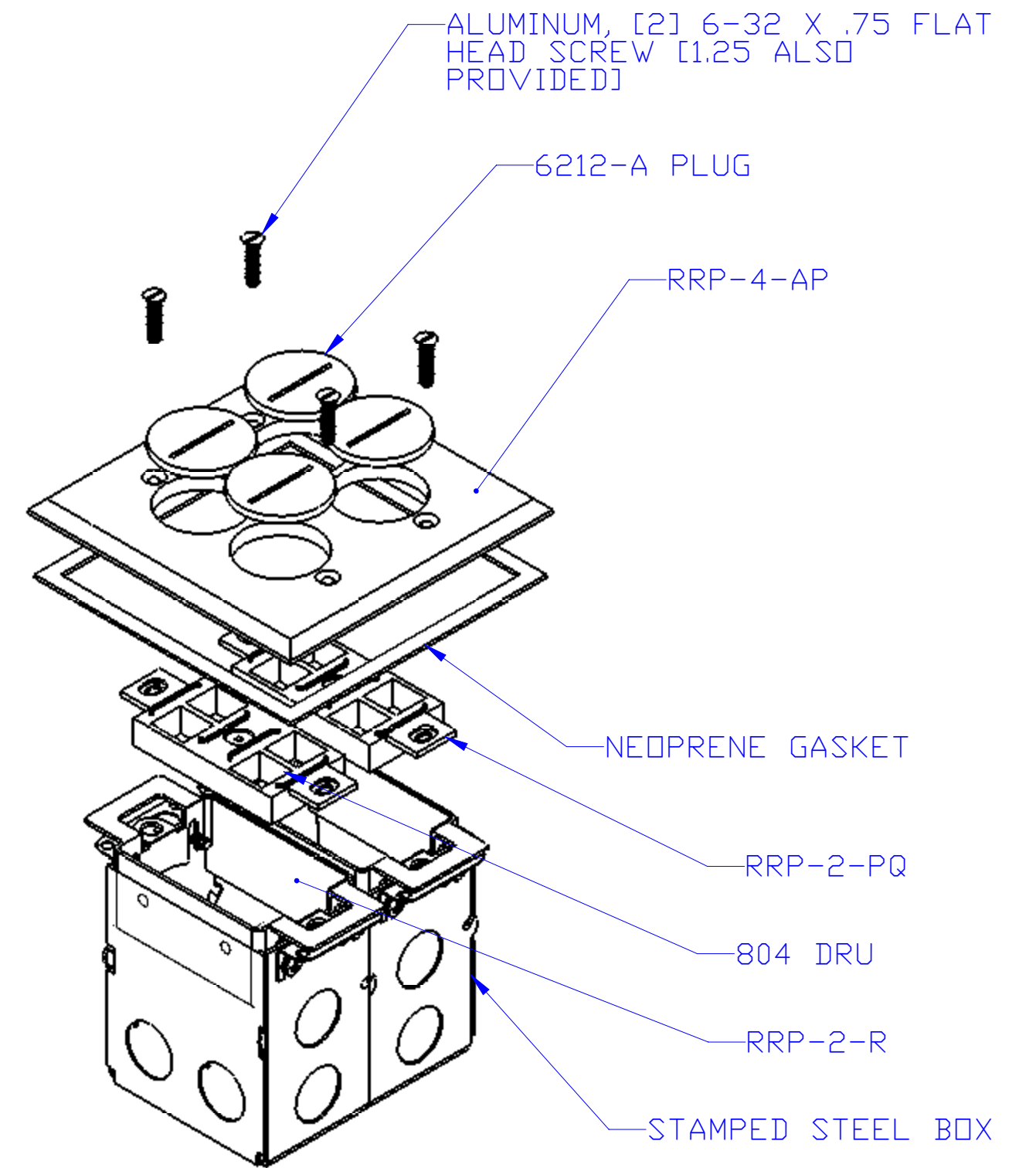
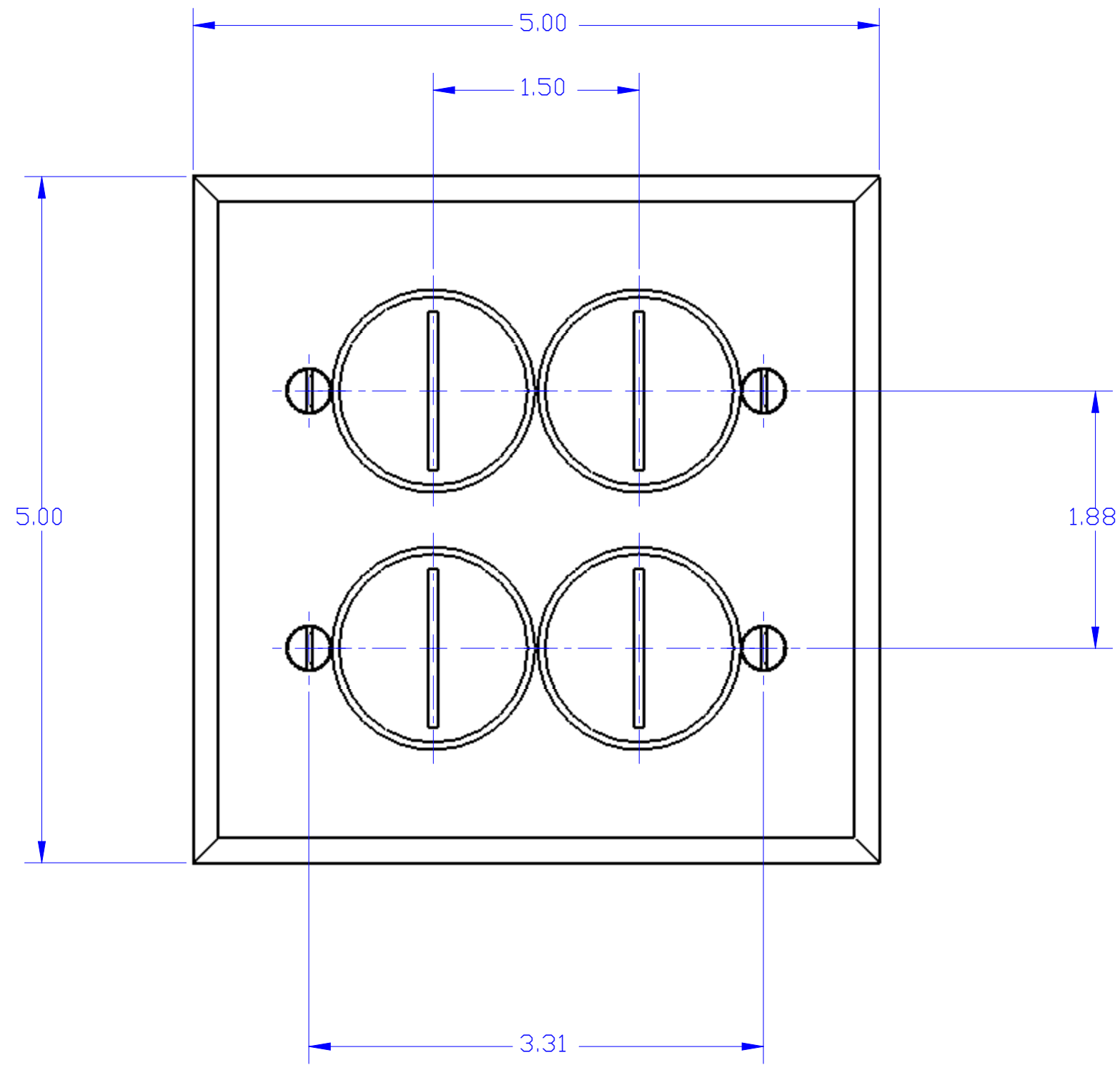


DESCRIPTION:  
ALUMINUM, TWO GANG, DIVIDED, RECESSED,  
FLOOR PLATE ASSEMBLY: 2 QUAD PORTS



**LEW ELECTRIC**  
**FITTINGS COMPANY**  
SERVING THE ELECTRICAL INDUSTRY SINCE 1901  
1801 W. St. Charles Rd. Maywood, IL 60153  
PHONE: 708-345-2075

UNLESS OTHERWISE SPECIFIED:		NAME	DATE	TITLE: <b>SWB-4-2Q-A</b>
DIMENSIONS ARE IN INCHES		DRAWN	P.J.G.	
TOLERANCES:				
FRACTIONAL: ±				
ANGULAR: MACH ±				
BEND ±				
TWO PLACE DECIMAL ±				
THREE PLACE DECIMAL ±				
INTERPRET GEOMETRIC TOLERANCING PER:		COMMENTS:		
MATERIAL				
FINISH				
DO NOT SCALE DRAWING		SIZE DWG. NO.		REV
		<b>C</b>		<b>A</b>
		WEIGHT:		SHEET 7 OF 16