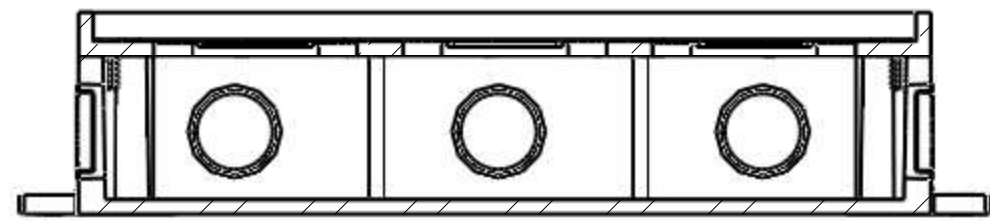
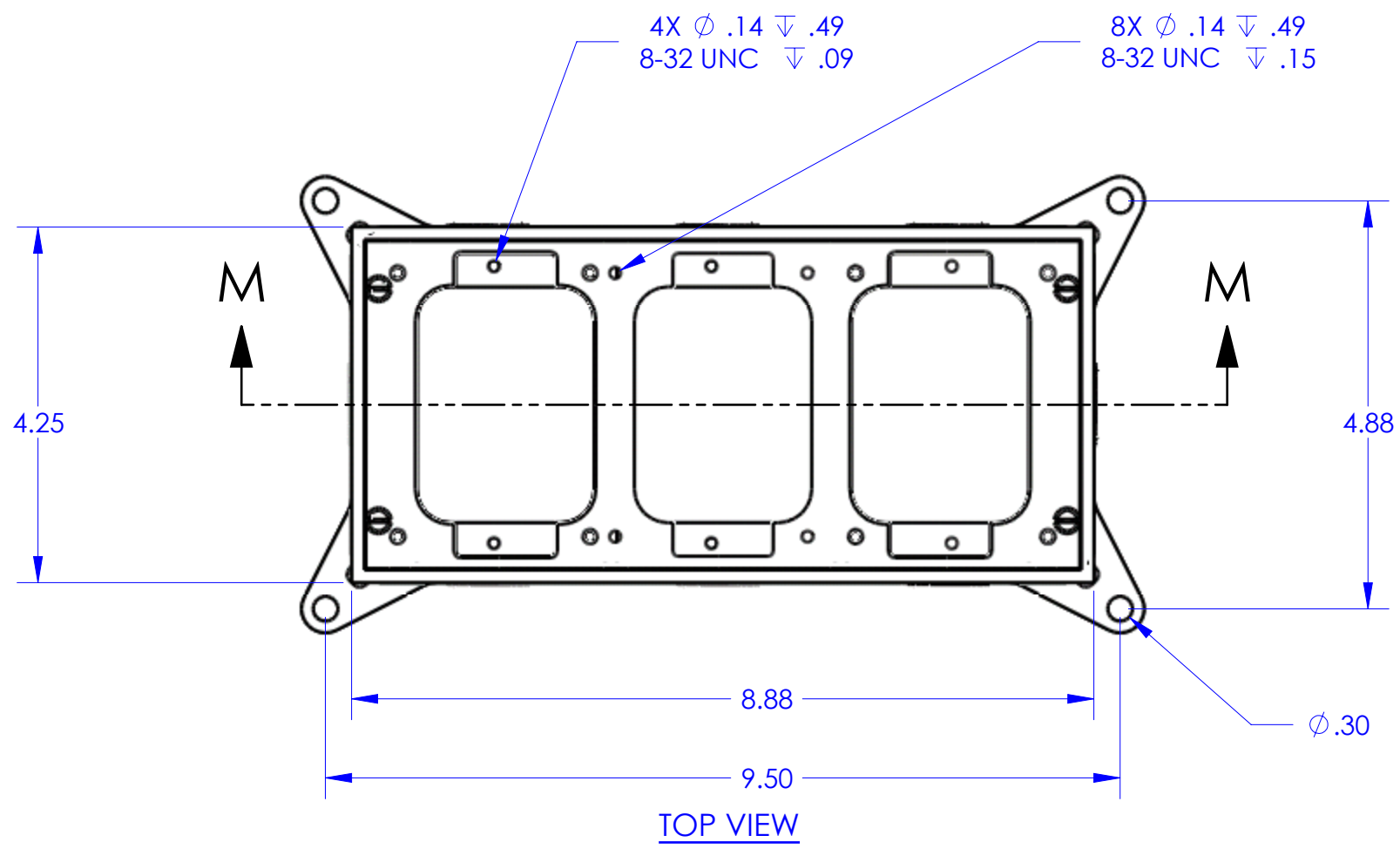


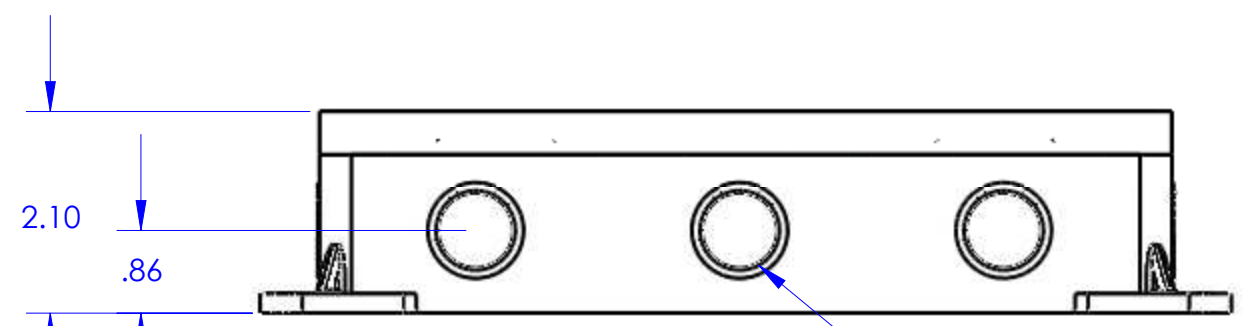
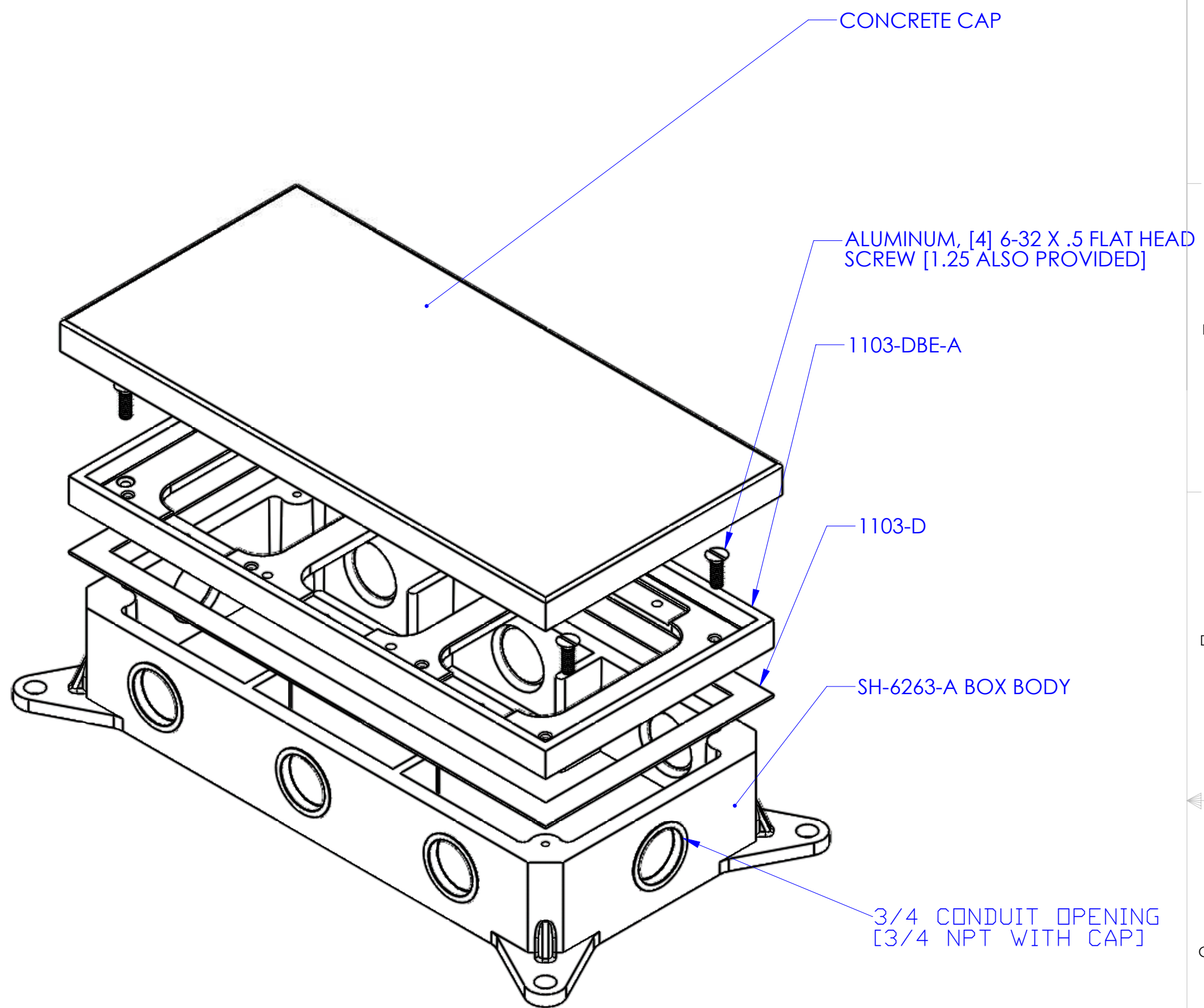
DESCRIPTION:  
ALUMINUM, SHALLOW, THREE GANG CAST BOX, SEMI  
ADJUSTABLE



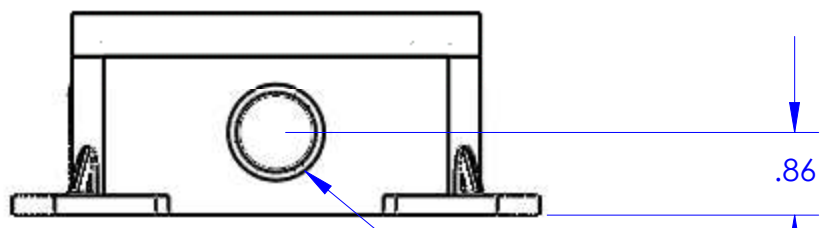
SECTION M-M



TOP VIEW



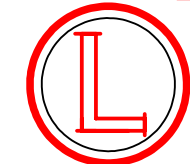
FRONT VIEW



RIGHT VIEW

3/4 CONDUIT OPENING  
[3/4 NPT WITH CAP]

3/4 CONDUIT OPENING  
[3/4 NPT WITH CAP]



**LEW ELECTRIC  
FITTINGS COMPANY**  
SERVING THE ELCTRICAL INDUSTRY SINCE 1901  
1801 W. St. Charles Rd. Maywood, IL 60153  
PHONE: 708-345-2075

UNLESS OTHERWISE SPECIFIED:		NAME	DATE	TITLE: <b>SH-6263-58-A</b>
DIMENSIONS ARE IN INCHES		DRAWN	P.J.G. 8/30/2007	
TOLERANCES:				SIZE DWG. NO. REV <b>A</b> 1001490 <b>A</b>
FRACTIONAL ±				
ANGULAR: MACH ± BEND ±				
TWO PLACE DECIMAL ±				
THREE PLACE DECIMAL ±				WEIGHT:
INTERPRET GEOMETRIC TOLERANCING PER:		COMMENTS:		SHEET 12 OF 12
MATERIAL:				
FINISH:				
DO NOT SCALE DRAWING				