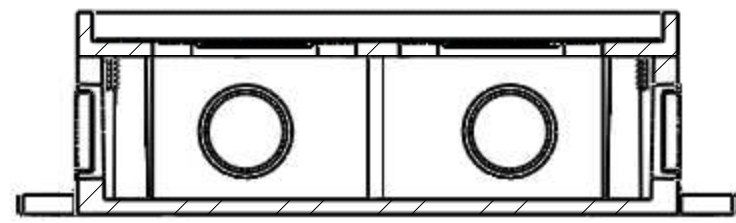
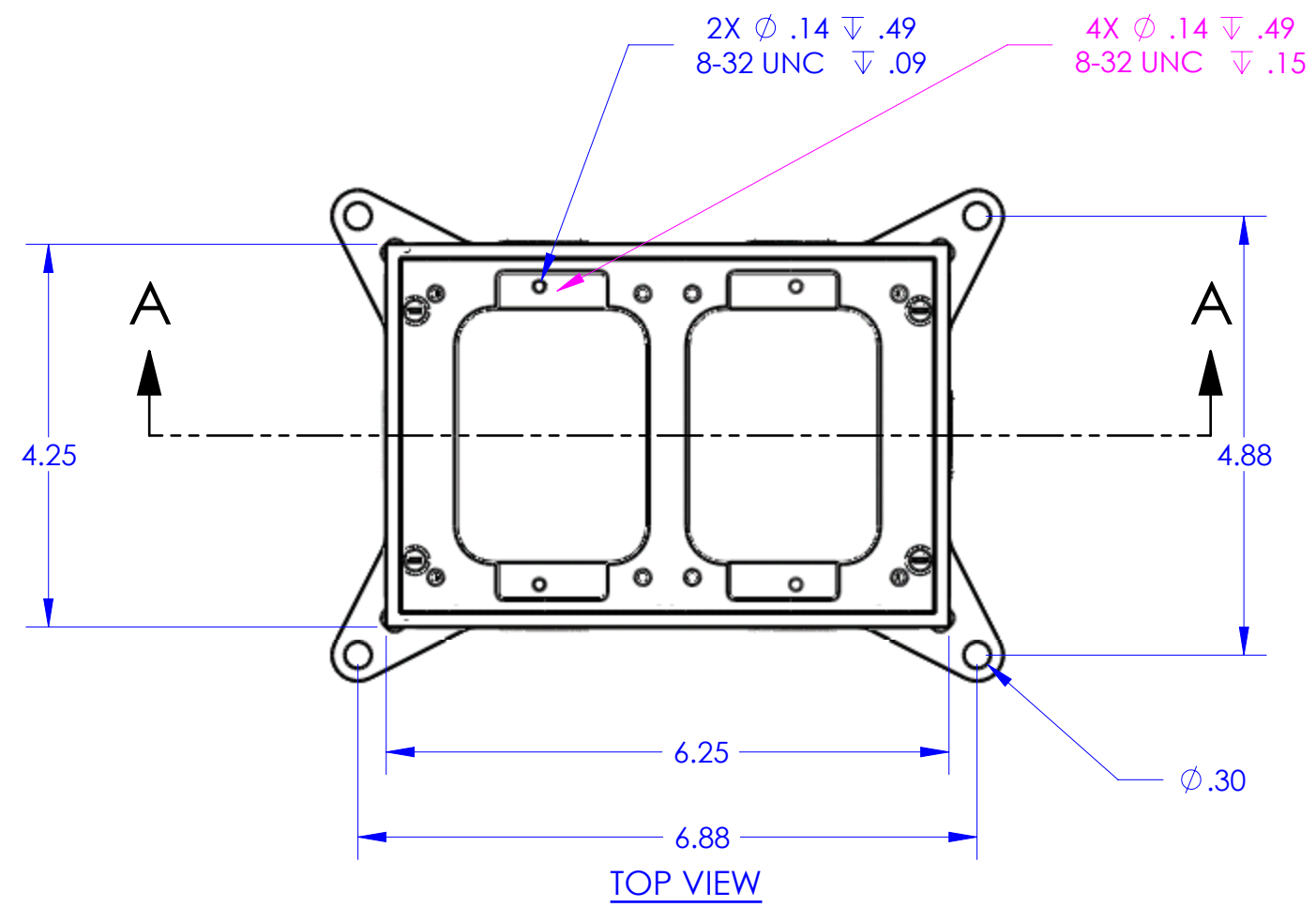
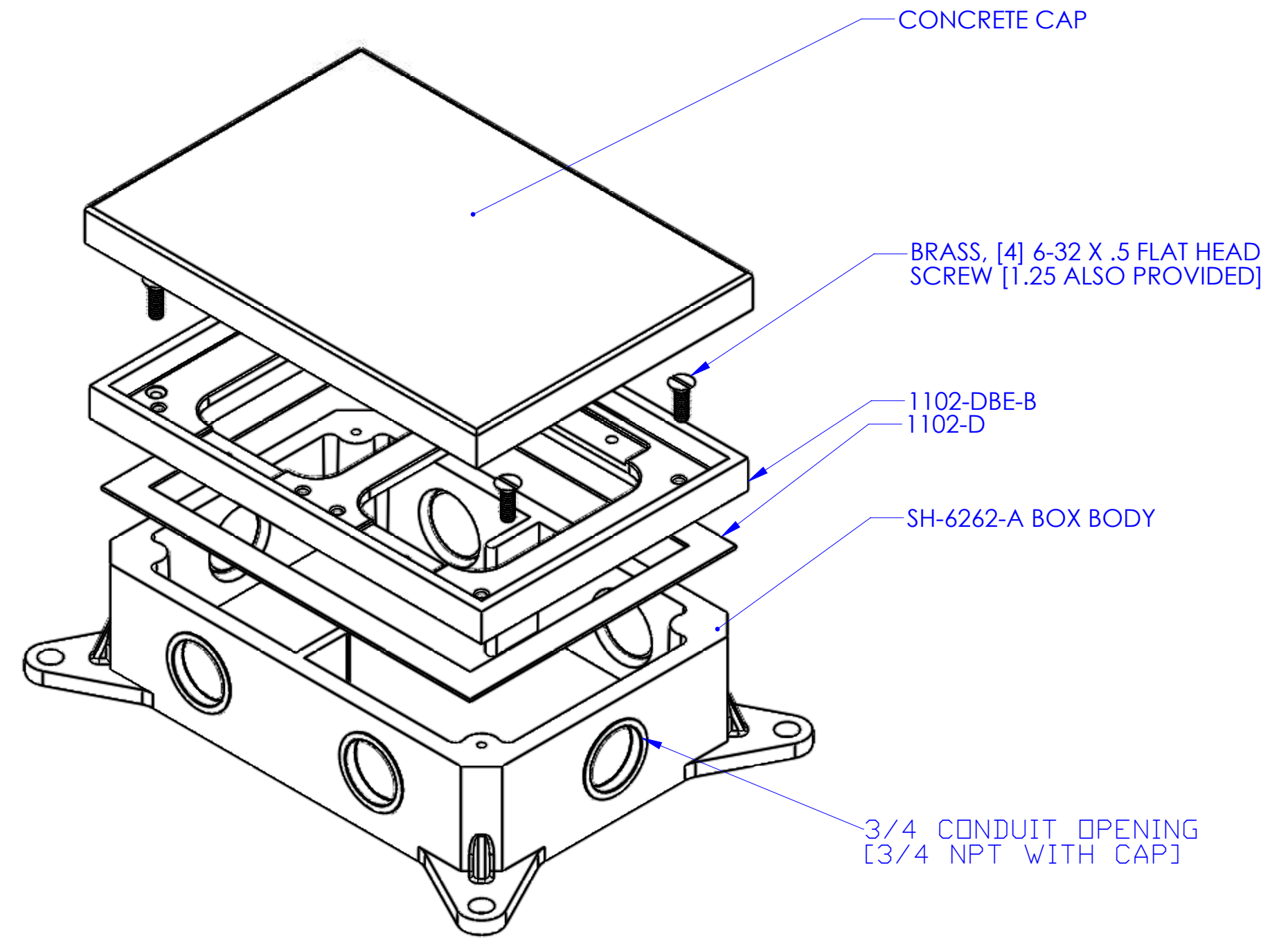


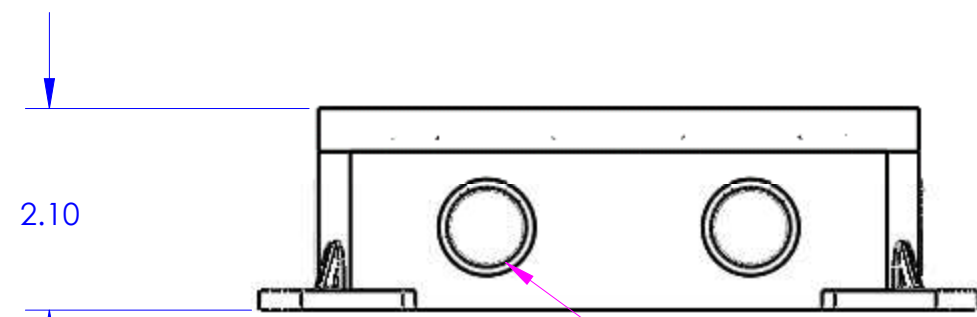
DESCRIPTION:
BRASS, SHALLOW, TWO GANG CAST BOX, SEMI ADJUSTABLE



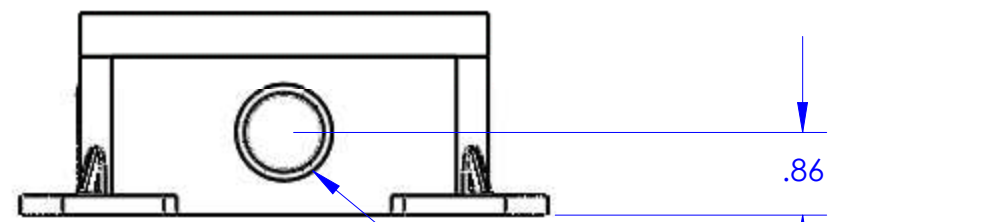
SECTION A-A



TOP VIEW



FRONT VIEW



RIGHT VIEW

LEW ELECTRIC
FITTINGS COMPANY
SERVING THE ELECTRICAL INDUSTRY SINCE 1901
1801 W. St. Charles Rd. Maywood, IL 60153
PHONE: 708-345-2075

UNLESS OTHERWISE SPECIFIED:		NAME	DATE	TITLE: SH-6262-58
DIMENSIONS ARE IN INCHES		DRAWN	P.J.G.	
TOLERANCES:				SIZE DWG. NO. REV A 1001460 A
FRACTIONAL ±				
ANGULAR: MACH ± BEND ±				
TWO PLACE DECIMAL ±				
THREE PLACE DECIMAL ±				WEIGHT:
INTERPRET GEOMETRIC TOLERANCING PER:		COMMENTS:		SHEET 9 OF 12
MATERIAL:				
FINISH:				
DO NOT SCALE DRAWING				