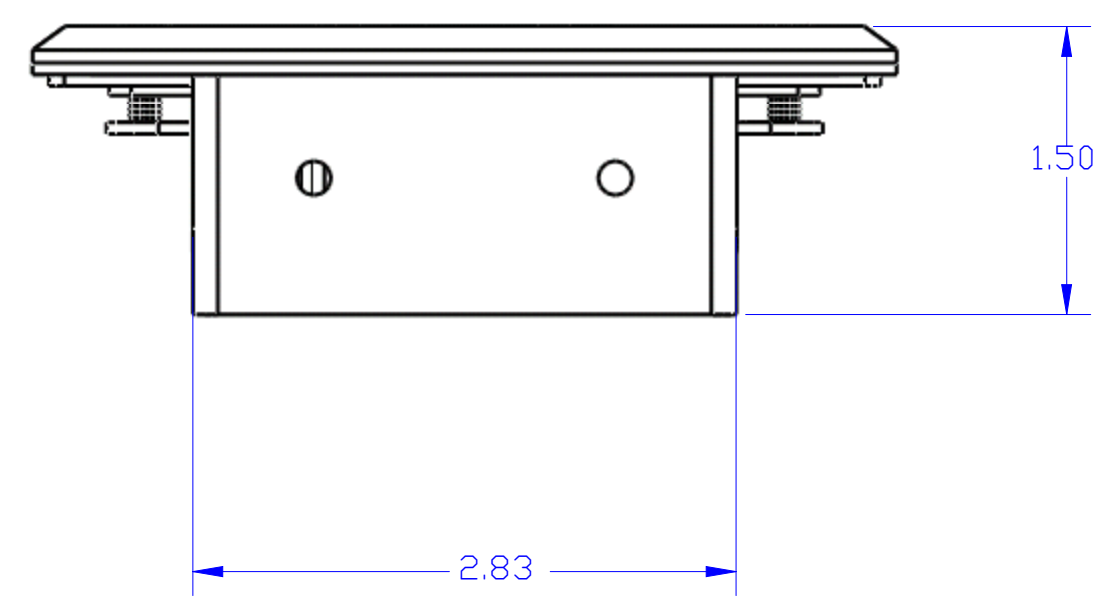
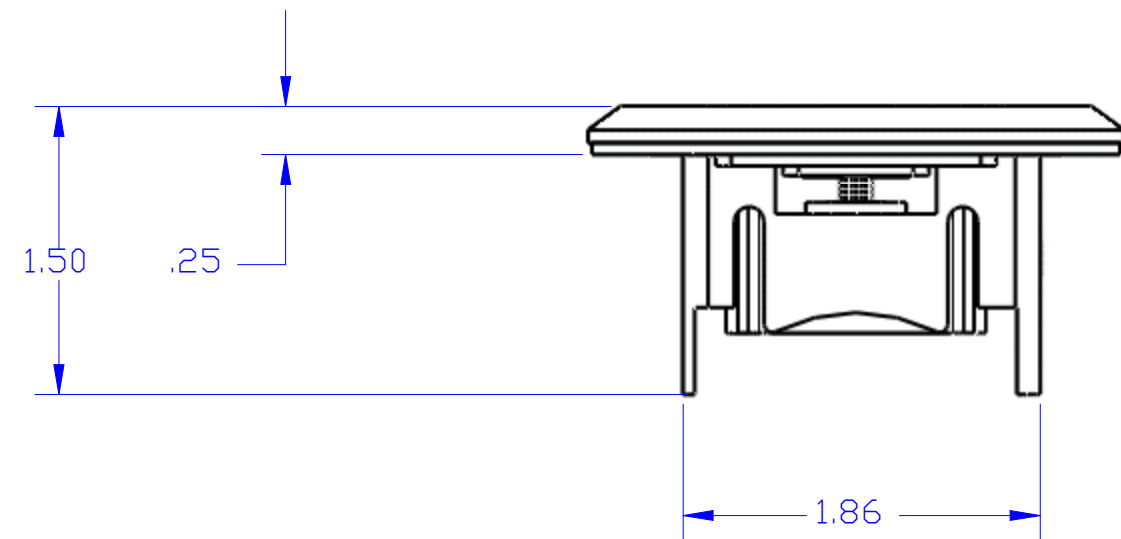
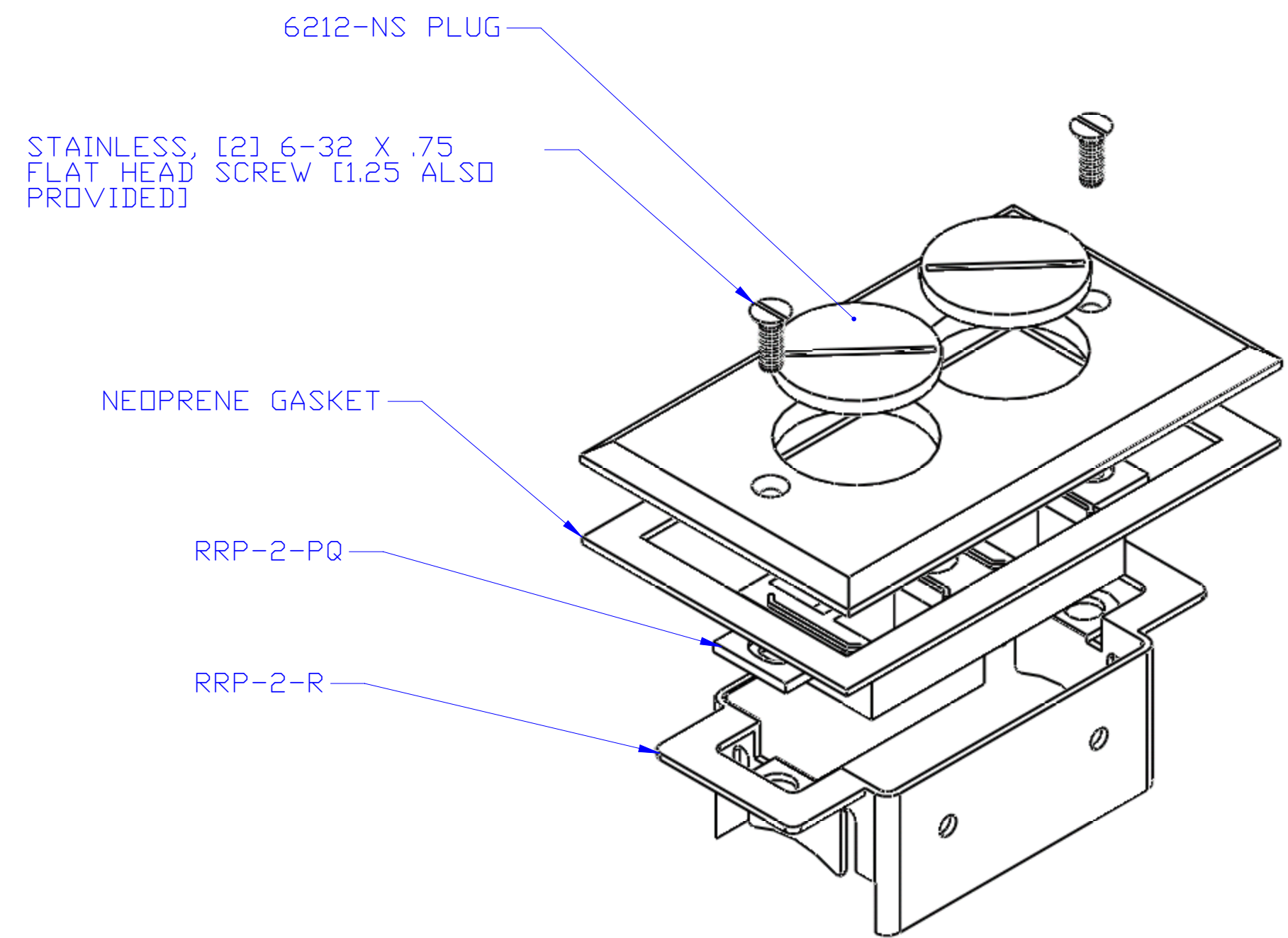
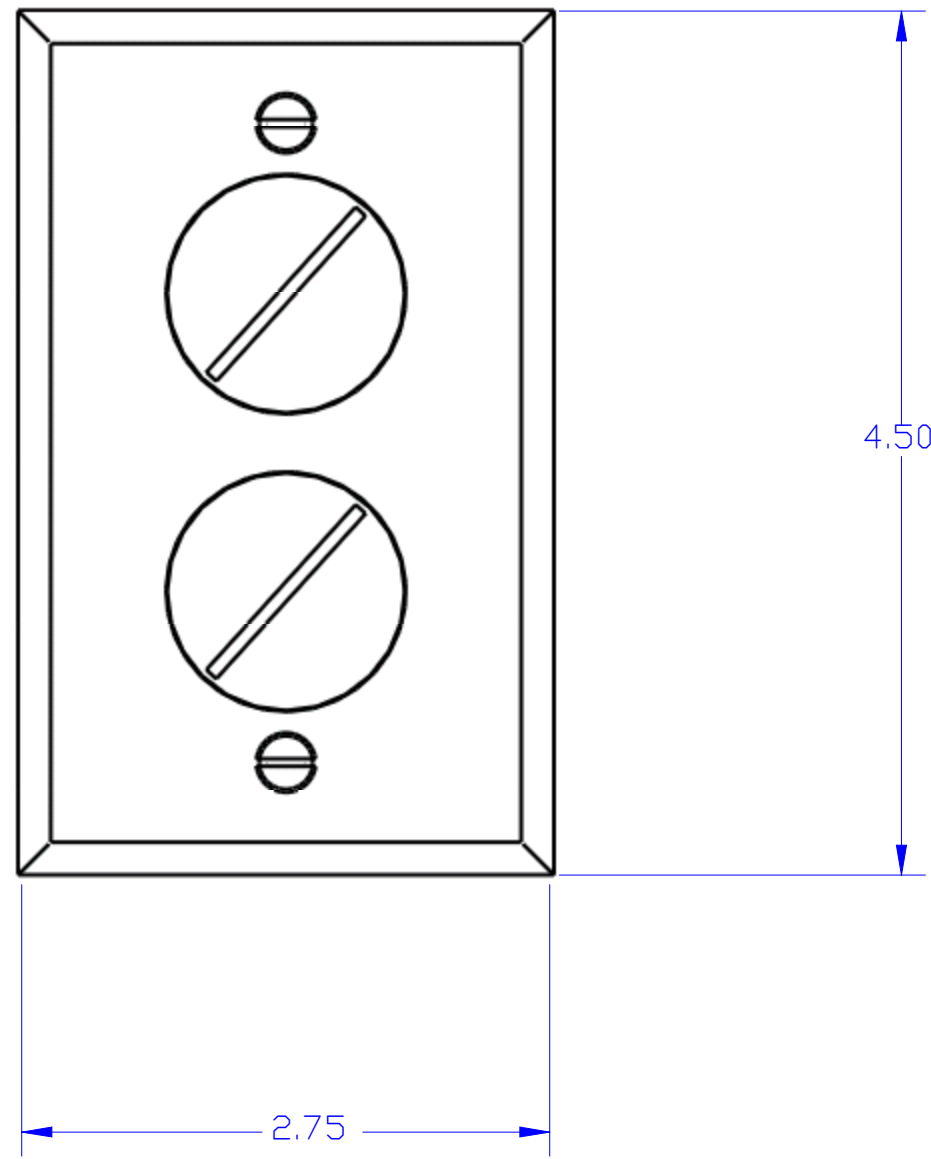


DESCRIPTION:
 NICKEL SILVER, RECESSED FLOOR PLATE
 ASSEMBLY (DUPLX COMM./DATA); RRP-2-PQ
 INCLUDED



LEW ELECTRIC
FITTINGS COMPANY
 SERVING THE ELCTRICAL INDUSTRY SINCE 1901
 1801 W. St. Charles Rd. Maywood, IL 60153
 PHONE: 708-345-2075

UNLESS OTHERWISE SPECIFIED:		NAME	DATE	TITLE: RRP-2-NS-T
DIMENSIONS ARE IN INCHES		DRAWN	P.J.G.	
TOLERANCES:				SIZE DWG. NO. REV C 1001110 A
FRACTIONAL ±				
ANGULAR: MACH ± BEND ±				
TWO PLACE DECIMAL ±				
THREE PLACE DECIMAL ±				WEIGHT:
INTERPRET GEOMETRIC TOLERANCING PER:		COMMENTS:		SHEET 8 OF 12
MATERIAL:				
FINISH:				
DO NOT SCALE DRAWING				